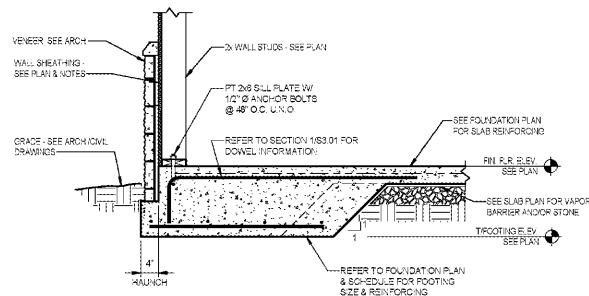
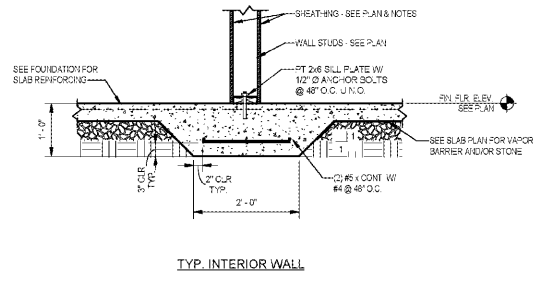


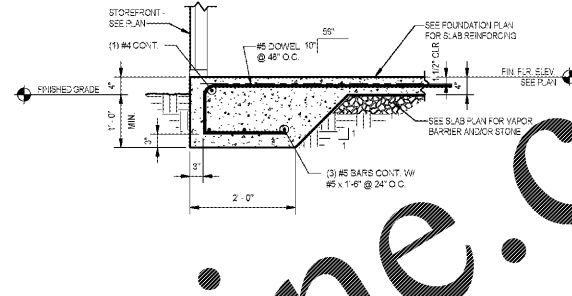
SECTION 1
S3.01 3/4" = 1'-0"



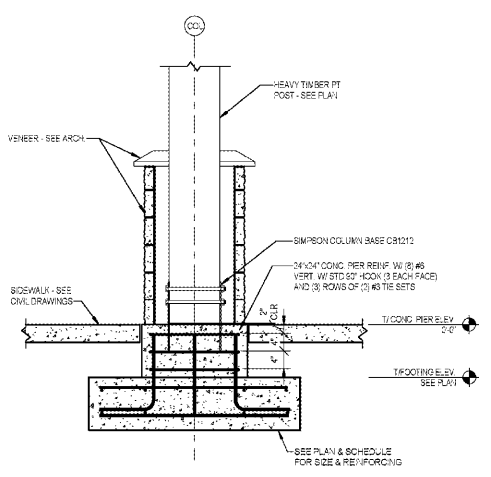
SECTION 2
S3.01 3/4" = 1'-0"



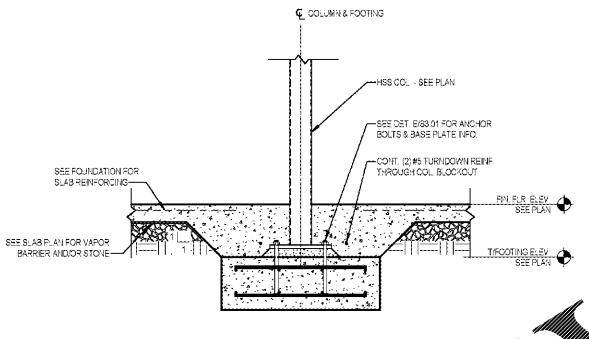
SECTION 3
S3.01 3/4" = 1'-0"



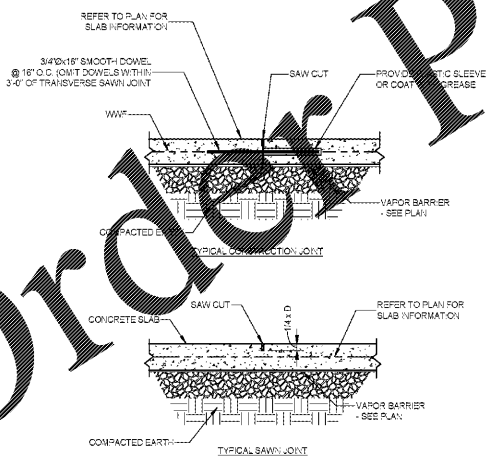
SECTION 4
S3.01 3/4" = 1'-0"



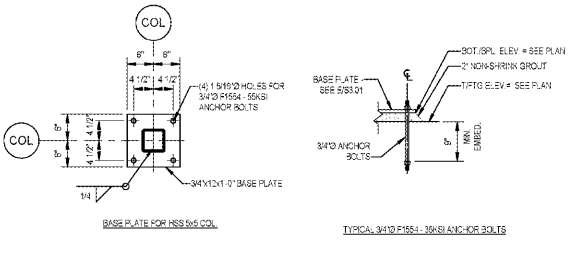
SECTION 5
S3.01 3/4" = 1'-0"



SECTION 6
S3.01 NTS



A TYPICAL SLAB JOINT DETAILS
S3.01 3/4" = 1'-0"



B DETAIL
S3.01 NTS

FULLER mc millan | patterson | smith
STRUCTURAL ARCHITECTURE
ashleyville charlotte north carolina
p.o. box 8922 greenville, sc 29604-2033
864.242.2034
www.fuller-smith.com

1890 EXTENSION SC STATE UNIVERSITY
CAMP HARRY G. DANIELS 1890 EXTENSION FACILITY CONSTRUCTION
Agency Review ID: H24-9649-CA
116 Camp Daniels Road, Ellenton, SC

SHEET ISSUE:

NO.	DATE	DESCRIPTION	BY
1	2016.04.15	DC - submittal Development	WTF
2	2016.04.20	Design Development Review	WTF
3	2016.05.26	DC Construction Document	WTF
4	2017.01.17	DC Construction Review	WTF
5	2017.04.17	DC REVIEW	WTF
6	2017.06.08	DC REVIEW	WTF

OSI BD DRAWINGS 2017.06.08
PROJECT ENGINEER: WTT
DESIGN BY: JAW
NEW

SHEET TITLE:
SECTIONS & DETAILS

SHEET NO. 13140.00
PROJ. NO. 13140.00

S3.01