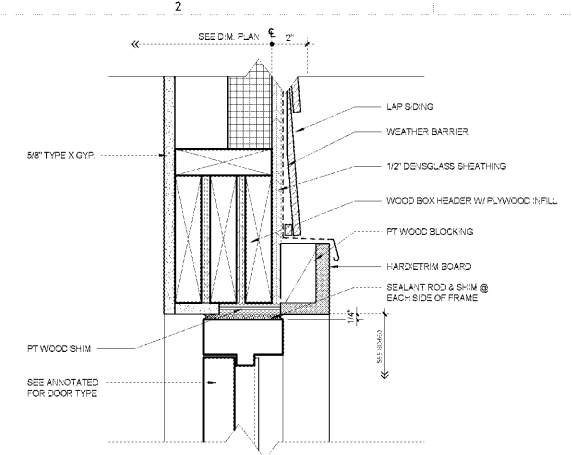
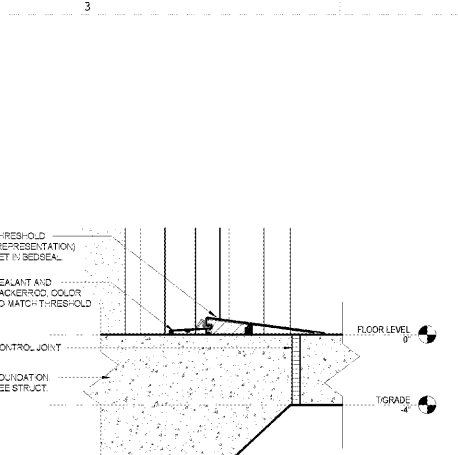


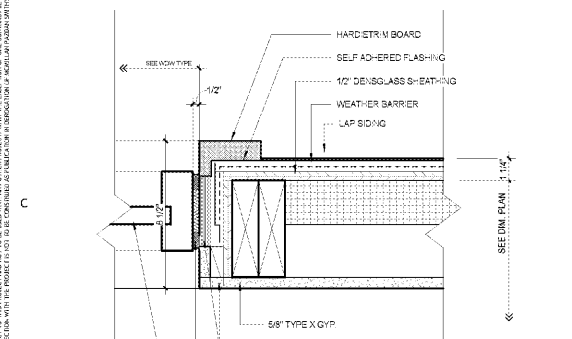
16 **DOOR JAMB @ EXTERIOR WALL (J3)**
3" x 1'-0"



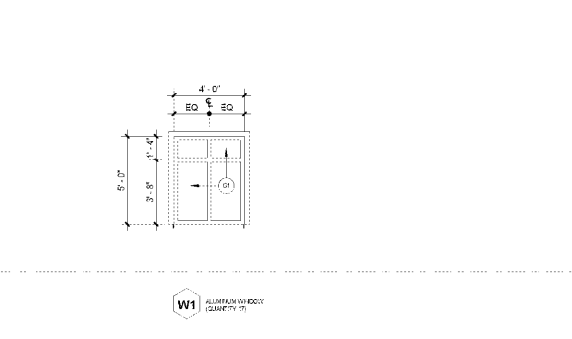
17 **DOOR HEADER @ EXTERIOR WALL (H3)**
3" x 1'-0"



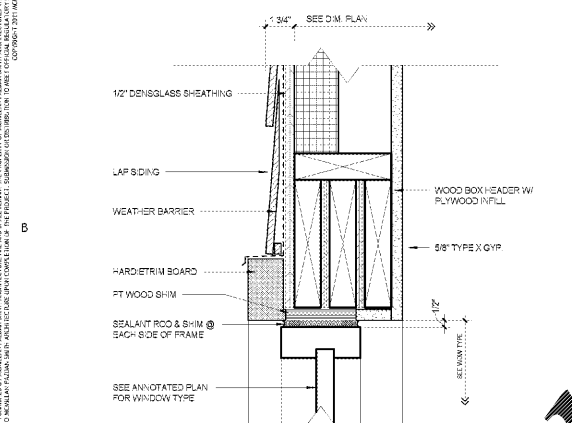
18 **DOOR SILL DETAIL**
3" x 1'-0"



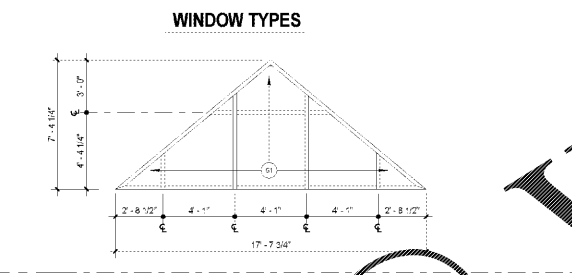
19 **WINDOW JAMB**
3" x 1'-0"



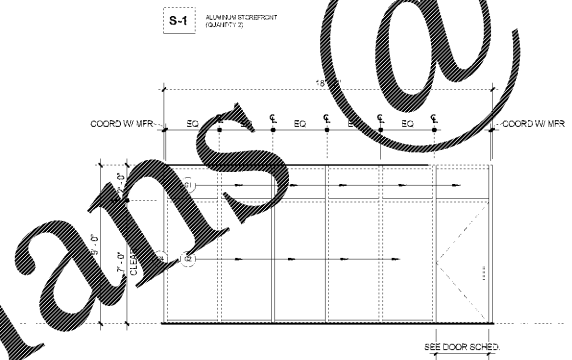
20 **WINDOW SILL HEAD**
3" x 1'-0"



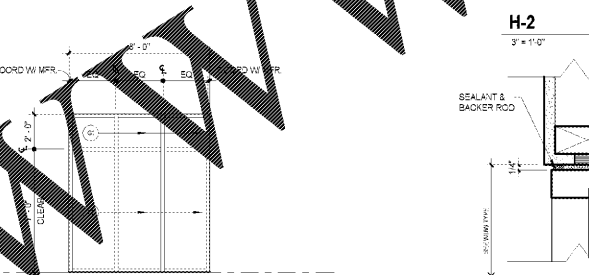
21 **WINDOW SILL BASE**
3" x 1'-0"



WINDOW TYPES



STOREFRONT TYPES



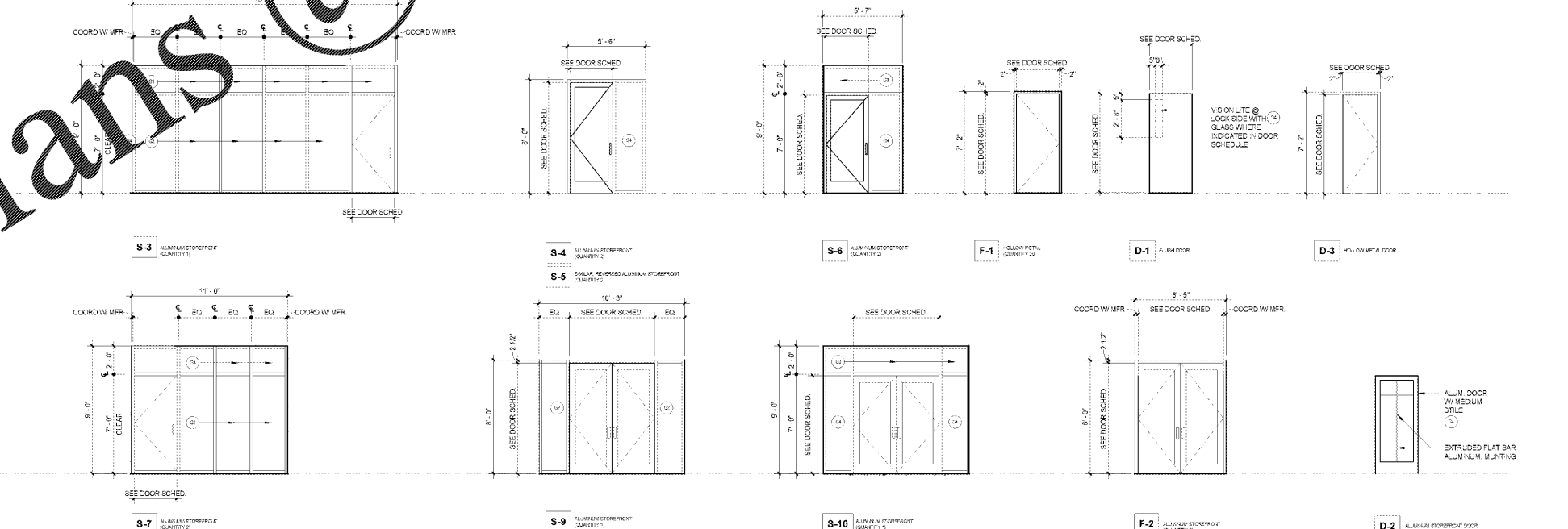
DOOR TYPES

ROOM NO.	DOOR NO.	R.N.O.	WIDTH	HEIGHT	OPG. RATING	H.D.W.E.	DOOR		FRAME		REMARKS	
							MAT. L.	TYPE	MAT. L.	TYPE		
100	100-A	16'-0"	7'-9 1/2"	N/A		AL	D-2	AL	S-8	H-3	J-2	
100	100-B	6'-0"	6'-10 3/4"	N/A		AL	D-2	AL	S-10	H-2	J-2	
101	101	3'-0"	6'-8 1/4"	N/A		WD	D-1	AL	S-7	H-2	J-2, J-3	
102	102	3'-0"	7'-0"	N/A		WD	D-1	HM	F-1	H-1	J-1	
103	103	3'-0"	7'-0"	N/A		WD	D-1	HM	F-1	H-1	J-1	
104	104	2'-6"	7'-0"	N/A		WD	D-3	HM	F-1	H-1	J-1	
106	106	3'-0"	7'-0"	N/A		WD	D-1	HM	F-1	H-1	J-1	
108	108	3'-0"	7'-0"	N/A		WD	D-1	HM	F-1	H-1	J-1	VISION LITE
110	110	3'-0"	7'-0"	N/A		WD	D-1	HM	F-1	H-1	J-1	VISION LITE
111	111	3'-0"	7'-0"	N/A		WD	D-1	HM	F-1	H-1	J-1	VISION LITE
112	112	3'-0"	7'-0"	N/A		WD	D-1	HM	F-1	H-1	J-1	VISION LITE
113	113	3'-0"	7'-9 1/2"	N/A		AL	D-2	AL	S-8	H-3	J-2, J-3	VISION LITE
114	114	3'-0"	7'-0"	N/A		WD	D-1	HM	F-1	H-1	J-1	VISION LITE
116	116	3'-0"	7'-0"	N/A		WD	D-1	HM	F-1	H-1	J-1	VISION LITE
118	118	3'-0"	7'-0"	N/A		WD	D-1	HM	F-1	H-1	J-1	VISION LITE
119	119	3'-0"	7'-0"	N/A		WD	D-1	HM	F-1	H-1	J-1	VISION LITE
122	122	3'-0"	7'-9 1/2"	N/A		AL	D-2	AL	S-8	H-3	J-2, J-3	
129	129	3'-0"	7'-0"	N/A		WD	D-1	HM	F-1	H-1	J-1	VISION LITE
130	130	3'-0"	7'-0"	N/A		WD	D-1	HM	F-1	H-1	J-1	VISION LITE
131	131-A	3'-0"	7'-0"	N/A		WD	D-1	HM	F-1	H-1	J-1	VISION LITE
131	131-B	6'-0"	7'-9 1/2"	N/A		AL	D-2	AL	F-2	H-3	J-2	
133	133-A	3'-0"	7'-0"	N/A		WD	D-1	HM	F-1	H-1	J-1	VISION LITE
133	133-B	3'-0"	7'-0"	N/A		WD	D-1	HM	F-1	H-1	J-1	VISION LITE
134	134	6'-0"	7'-9 1/2"	N/A		AL	D-2	AL	F-2	H-3	J-2	
135	135	3'-0"	7'-9 1/2"	N/A		WD	D-1	HM	F-1	H-1	J-1	VISION LITE
136	136-A	3'-0"	7'-0"	N/A		WD	D-1	HM	F-1	H-1	J-1	VISION LITE
138	138-B	6'-0"	7'-9 1/2"	N/A		AL	D-2	AL	F-2	H-3	J-2	
139	139	3'-0"	7'-0"	N/A		WD	D-1	HM	F-1	H-1	J-1	VISION LITE
139	139	3'-0"	7'-0"	N/A		WD	D-1	HM	F-1	H-1	J-1	VISION LITE
139	139	3'-0"	7'-0"	N/A		WD	D-1	HM	F-1	H-1	J-1	VISION LITE
139	139	3'-0"	7'-0"	N/A		WD	D-1	HM	F-1	H-1	J-1	VISION LITE
139	139	3'-0"	7'-0"	N/A		WD	D-1	HM	F-1	H-1	J-1	VISION LITE
140	140	3'-0"	7'-9 1/2"	N/A		WD	D-1	HM	F-1	H-1	J-1	VISION LITE
142	142	3'-0"	7'-0"	N/A		WD	D-1	HM	F-1	H-1	J-1	VISION LITE
143	143	3'-0"	7'-0"	N/A		WD	D-1	HM	F-1	H-1	J-1	VISION LITE
144	144	3'-0"	7'-0"	N/A		WD	D-1	HM	F-1	H-1	J-1	VISION LITE
147	147	3'-0"	7'-0"	N/A		WD	D-1	HM	F-1	H-1	J-1	VISION LITE
148	148	3'-0"	7'-0"	N/A		WD	D-1	HM	F-1	H-1	J-1	VISION LITE
149	149	3'-0"	7'-0"	N/A		WD	D-1	HM	F-1	H-1	J-1	VISION LITE
150	150	3'-0"	7'-0"	N/A		WD	D-1	HM	F-1	H-1	J-1	VISION LITE
151	151-A	3'-0"	7'-9 1/2"	N/A		AL	D-2	AL	S-8	H-3	J-2, J-3	
151	151-B	3'-0"	6'-10 3/4"	N/A		WD	D-2	HM	S-8	H-2	J-2, J-3	
152	152	3'-0"	7'-0"	N/A		WD	D-1	HM	F-1	H-1	J-1	VISION LITE
153	153	3'-0"	7'-0"	N/A		WD	D-1	HM	F-1	H-1	J-1	VISION LITE
154	154	3'-0"	7'-0"	N/A		WD	D-1	HM	F-1	H-1	J-1	VISION LITE
156	156	3'-0"	7'-0"	N/A		WD	D-1	HM	F-1	H-1	J-1	VISION LITE
158	158	3'-0"	6'-10 3/4"	N/A		WD	D-1	AL	S-8	H-2	J-2, J-3	
157	157	2'-6"	7'-0"	N/A		HM	D-3	HM	F-1	H-1	J-2, J-3	2 HOUR RATED DOOR

HOLLOW METAL (HM) DOOR AND FRAME NOTES:

- INTERIOR HM FRAMES SHALL BE 16 GA. SHIP PRIMED STEEL.
- EXTERIOR HM FRAMES SHALL BE 14 GA. GALVANIZED SHIP PRIMED STEEL.
- ALL CORNERS OF EXTERIOR HM FRAMES SHALL BE SHIP (FULLY WELDED AND GROUND SMOOTH).
- FLOOR ANCHORS ARE REQUIRED AT EACH HM FRAME.
- THRESHOLDS SHALL BE 1/2" MAXIMUM HEIGHT.
- HEAD ANCHORS - TWO ANCHORS PER HEAD FOR FRAMES MORE THAN 42 INCHES WIDE AND MOUNTED IN METAL STUD PARTITIONS.
- HARDWARE PREPARATION: FACTORY PREPARE HOLLOW METAL WORK TO RECEIVE TEMPLATED MORTISED HARDWARE. INCLUDE CUTOUTS, REINFORCEMENT, MORTISING, DRILLING AND TAPPING ACCORDING TO SCA 250.6. THE DOOR HARDWARE SCHEDULE AND TEMPLATES.
- MULLION AND TRANSOM BARS: JOIN TO ADJACENT MEMBERS BY WELDING.

TAG	DESCRIPTION	TINT
(16)	1" INSULATED LOW E	BRONZE
(17)	1" INSULATED LOW E / TEMPERED	BRONZE
(18)	1/4" HEAT STRENGTHENED	CLEAR
(19)	1/4" HEAT STRENGTHENED / TEMPERED	CLEAR



FRAME TYPES

DOOR TYPES

mc milan | p a r t n e r | a r c h i t e c t u r e

ashville charlotte columbia greenville
 500 W. Main Street, Suite 1000 Asheville, NC 28801
 100 W. Broad Street, Suite 1000 Charlotte, NC 28202
 100 W. Main Street, Suite 1000 Columbia, SC 29201
 100 W. Main Street, Suite 1000 Greenville, SC 29601
 100 W. Main Street, Suite 1000 Greenville, SC 29601

STATE OF SOUTH CAROLINA
 BOB E. BARNES
 ARCHITECT
 100 W. MAIN STREET, SUITE 1000
 GREENVILLE, SC 29601

STATE OF SOUTH CAROLINA
 MCMILAN PARTNER ARCHITECTURE
 100 W. MAIN STREET, SUITE 1000
 GREENVILLE, SC 29601

1890 EXTENSION SC STATE UNIVERSITY
CAMP HARRY G. DANIELS 1890 EXTENSION FACILITY - RE - BID
 Agency Review ID: H24-9649-CA
 116 Camp Daniels Road, Ellenton, SC

SHEET ISSUE:
 NO. DATE DESCRIPTION BY
 0 2024.05.22 R-13 Package M

BD SET
 OSE REVIEW SUBMITTAL 11/17/2017

PREPARED BY: CHASE
 PROJECT ARCHITECT: MA
 DRAWN BY: SS / CS

SHEET TITLE:
DOOR SCHEDULE, DOOR, FRAME AND STOREFRONT TYPES

SHEET NO. PROJ. NO.
 A10.11 13140.00

Order Plans @

WWW.WOODLINE.COM