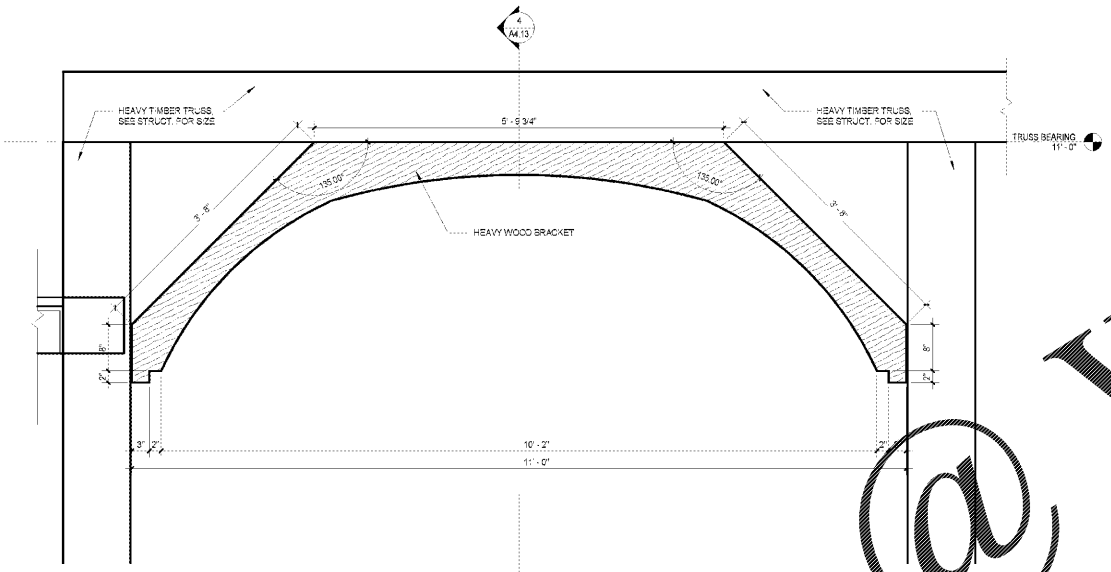
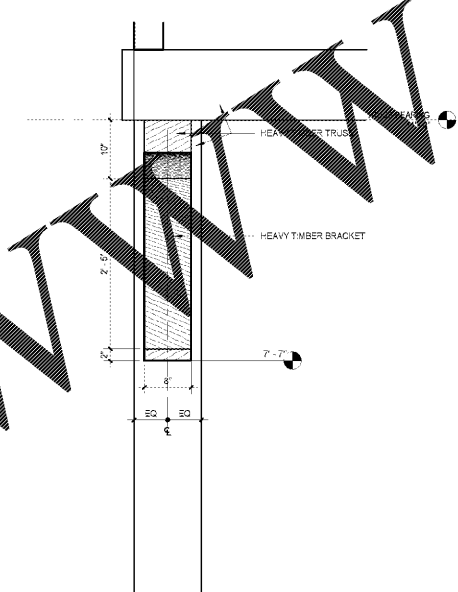


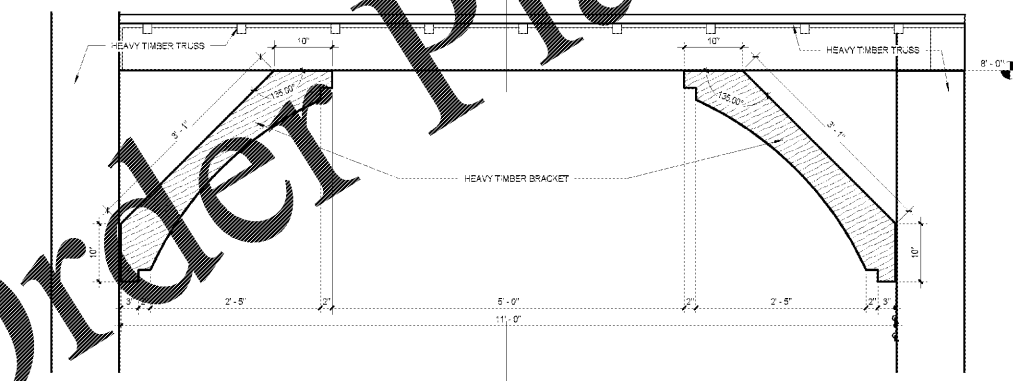
ALL DIMENSIONS SPECIFIED UNLESS NOTED OTHERWISE. THE PROPERTY OF CAMP DANIELS 1890 EXTENSION ARCHITECTURE, INC. AND SHALL REMAIN THE PROPERTY OF CAMP DANIELS 1890 EXTENSION ARCHITECTURE, INC. ANY REPRODUCTION OR DISTRIBUTION OF THIS DOCUMENT WITHOUT THE WRITTEN PERMISSION OF CAMP DANIELS 1890 EXTENSION ARCHITECTURE, INC. IS STRICTLY PROHIBITED. THE DESIGN OF THIS PROJECT IS THE PROPERTY OF CAMP DANIELS 1890 EXTENSION ARCHITECTURE, INC. AND SHALL REMAIN THE PROPERTY OF CAMP DANIELS 1890 EXTENSION ARCHITECTURE, INC. ANY REPRODUCTION OR DISTRIBUTION OF THIS DOCUMENT WITHOUT THE WRITTEN PERMISSION OF CAMP DANIELS 1890 EXTENSION ARCHITECTURE, INC. IS STRICTLY PROHIBITED.



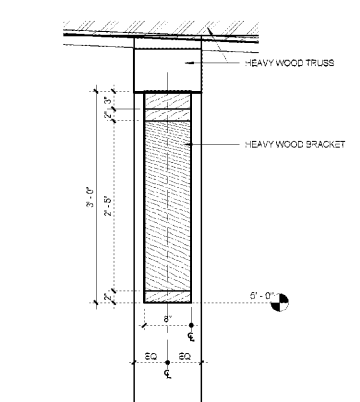
**3 HEAVY TIMBER BRACKET A ELEVATION**  
 1" = 1'-0"



**4 HEAVY TIMBER BRACKET A SECTION**  
 1" = 1'-0"



**5 HEAVY TIMBER BRACKET B ELEVATION**  
 1" = 1'-0"



**2 HEAVY TIMBER BRACKET B SECTION**  
 1" = 1'-0"

Order Plans @ WWW.LDILine.com

**mc millan | parsons | smith**  
 architects

asheville | atlanta | charlotte | columbia | greenville | hartsville  
 p.o. box 8922 greenville, sc 29602-8922 | 864.242.2033 | 864.242.2034  
 www.mcmillanparsonsmith.com

STATE OF SOUTH CAROLINA  
 BOB G. SMITH  
 ARCHITECT  
 100573

STATE OF SOUTH CAROLINA  
 MCMILLAN  
 PARSONS  
 SMITH, LLC  
 100573  
 REGISTERED ARCHITECTS

1890 EXTENSION SC STATE UNIVERSITY  
**CAMP HARRY G. DANIELS 1890 EXTENSION FACILITY - RE - BID**  
 Agency Review ID: H24-9649-CA  
 116 Camp Daniels Road, Ellenton, SC

SHEET ISSUE:	NO.	DATE	DESCRIPTION	BY
	1	2018.03.27	Re-Bid Package	MS

**BD SET**

OSE REVIEW SUBMITTAL 11/17/2017

PRINCIPAL IN CHARGE: JS  
 PROJECT ARCHITECT: MA  
 DRAWN BY: SS / CS

SHEET TITLE:  
**MISC. DETAILS**

SHEET NO. **A4.13** PROJ. NO. 13140.00