

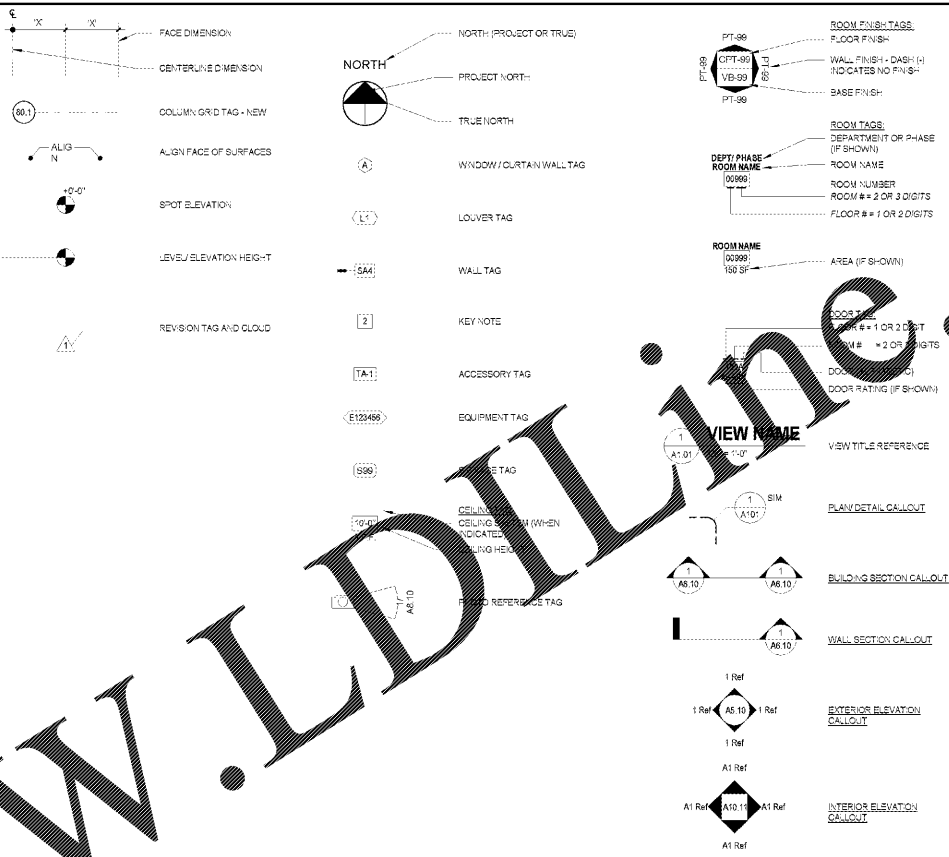
ABBREVIATION LIST

ABBREVIATION NOTES:

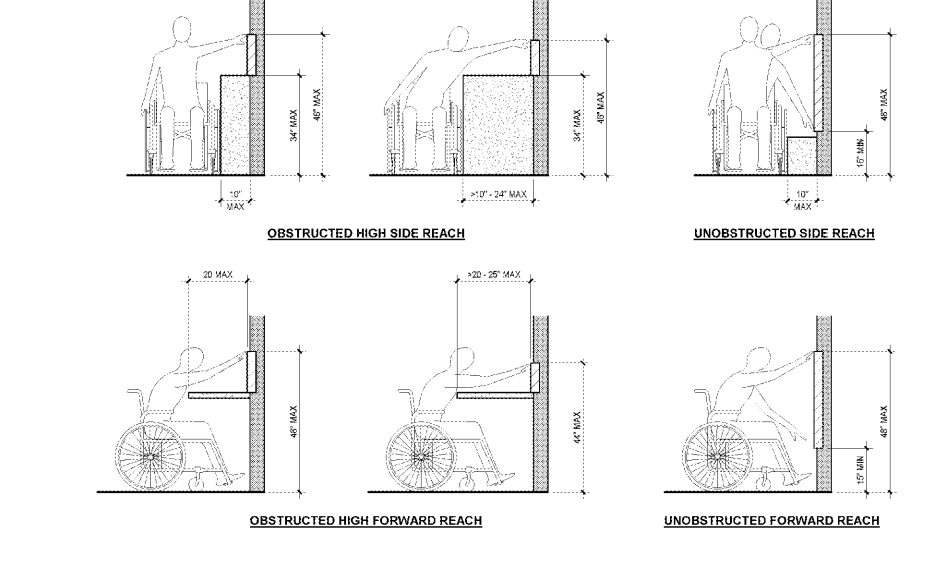
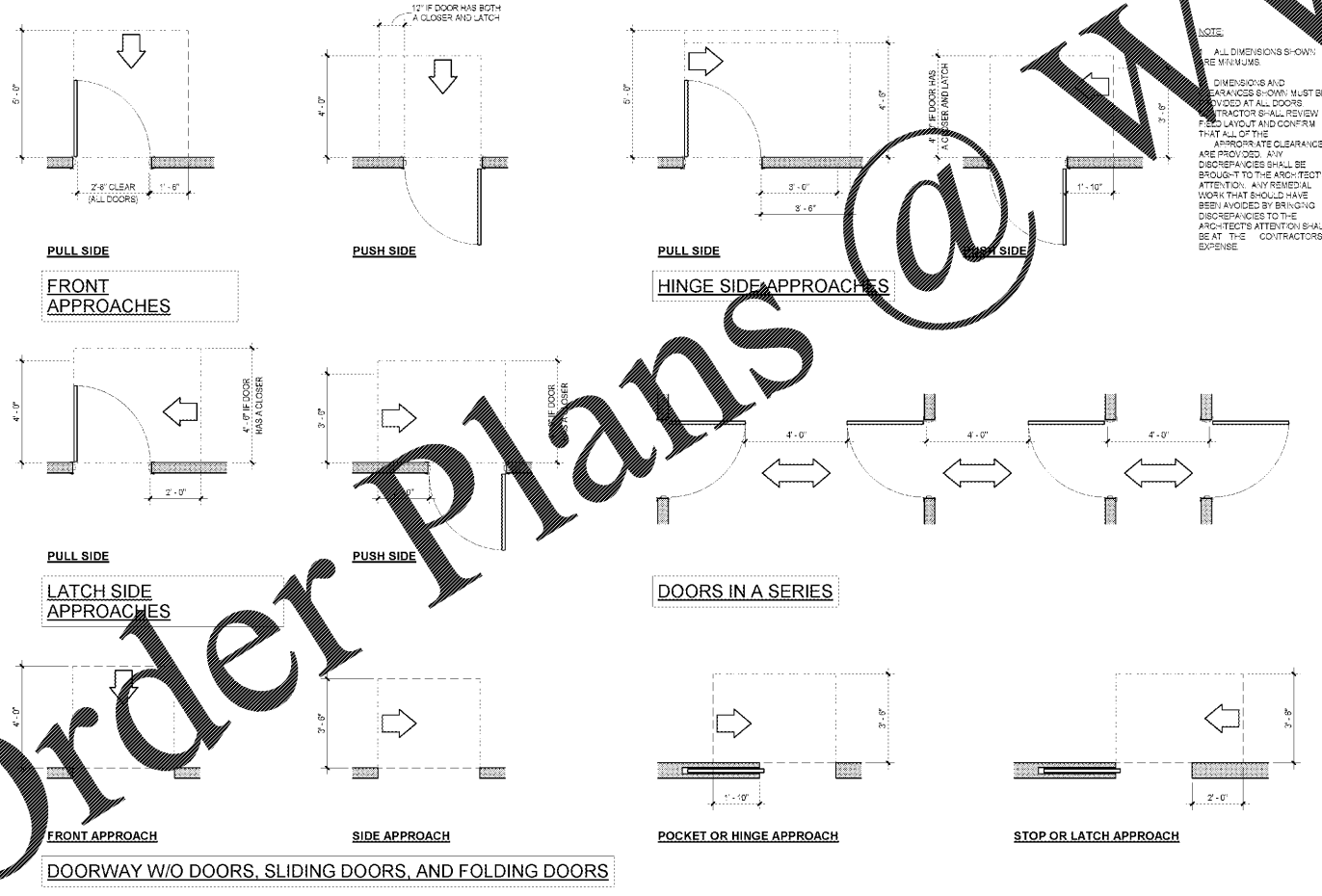
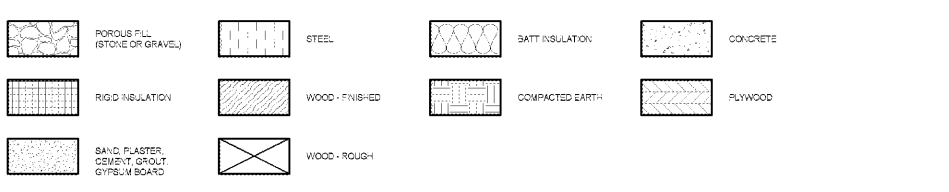
1. GENERALLY TERMS ARE SPELLED OUT AND ABBREVIATIONS USED ONLY TO REDUCE TIME AND SPACE OR WHERE APPROPRIATE OR TO IMPROVE CLARITY
2. ABBREVIATIONS LISTED BELOW APPLY TO THE ARCHITECTURAL DRAWINGS ONLY. REFER TO DRAWINGS BY OTHER TRADES FOR ABBREVIATIONS USED BY OTHER TRADES DRAWINGS
3. REFER TO FINISH SCHEDULE FOR MATERIAL ABBREVIATIONS USED ON THE FINISH SCHEDULE
4. ABBREVIATIONS LISTED HERE ARE BASED ON THE NATIONAL CAD STANDARD MODULES. REFER TO THE NCS FOR ABBREVIATIONS SHOWN ON THE DRAWINGS THAT ARE NOT LISTED HERE. WHERE MULTIPLE TERMS EXISTING FOR THE ABBREVIATION SHOWN, THE TERM REFERENCED IN THE LIST BELOW SHALL BE USED

AC	AR	EJ	LKR RM	REQD
AE	CONDIT	EL	LOCKER ROOM	RESL
ACC	ENGINEER	ELC	LEAD LINED GYPSUM BOARD	RESM
ACOUS INSUL	ARCHITECT	ELEV	LINE OF SIGHT	ROOFING
ACOUS PNL	INSULATION	EMER	LIVING ROOM	RFI
ACST	PANEL	ENR	VINYL TILE (PLANK, SQUARE, PATTERNED)	REQUEST FOR INFORMATION
ADJ	ACOUSTIC	ENTR	LWC	REQUEST FOR PROPOSAL
ADJ	CEILING TILE	EQ	EXPANDED POLYSTYRENE BOARD (INSULATION)	RM
ADJ	ADJACENT or ADJUSTABLE	EQ	MACH RM	ROOM
AFP	ABOVE FINISHED FLOOR	EQUIP	MACHINE ROOM	RVL
AFG	ABOVE FINISHED GRADE	EWS	MAINT	REVEAL
AFS	ABOVE FINISHED SLAB	EWS	MAX	SB
ALT	ALTERNATE	EXT	MECH RM	SBS
ARCH	ARCHITECT	EXT	MECHANICAL ROOM	SSTR
ASD	ACQUISITION PANEL CEILING	F1S	MIN	SCHED
ATC	AUTOMATIC SPRINKLER DRAIN	F2S	MIR	SD
	ACOUSTICAL TILE CEILING	F3S	MISC	SIM
		FA	MILLWORK	SI
		FD	MASONRY OPENING	SJ
		FE	MOP RACK	SKLT
		FEC	MOISTURE RESISTANT	SLT
		FFA	MTL	SPEC
		FFB	METAL	SPKLR
		FFC	MW	SPKR
		FFD	MICROWAVE	SQ
		FFE	NA	SQ
		FFG	NOT APPLICABLE	SS
		FFH	NOM	SST
		FFI	NTP	STC
		FFJ	OFFICE	STOR
		FFK	NOTICE TO PROCEED	SVNR
		FFL	CA	SWBD
		FFM	OVERALL	SYMM
		FFN	ON CENTER	TD
		FFO	OC	TE
		FFP	OUTSIDE DIAMETER	TEMP
		FFQ	OFFICE	TF
		FFR	OPENING	TO
		FFS	OPPOSITE	TOF
		FFG	P	TOM
		FFH	PAT	TOP
		FFI	PATTERN	TOP OF FINISH FLOOR
		FFJ	PARTICLEBOARD	TOP OF
		FFK	PERF	TOP OF MASONRY
		FFL	PERFORATED	TOP OF PARTIETOP
		FFM	PERM	TOP OF SLAB/ TOP OF STEEL
		FFN	PERP	TOW
		FFO	PERPENDICULAR	UNFIN
		FFP	PLAM	VAR
		FFQ	PLASTIC LAMINATE	VCT
		FFR	PLBQ	VERT
		FFS	PLUMBING	VESTIBULE
		FFG	PLYWOOD	VNR
		FFH	POLISHED	VVC
		FFI	PORCEL	W
		FFJ	PORCELAIN	W/O
		FFK	PREFABRICATE	W
		FFL	PREFINISH	W/O
		FFM	PREFORMED	W
		FFN	PRESSURE TREATED	W/O
		FFO	QUARRY TILE	XPS
		FFP	QUARTER TILE BASE	EXTRUDED POLYSTYRENE BOARD (INSULATION)
		FFQ	R	
		FFR	RADIUS	
		FFS	RADN	
		FFG	RESILIENT BASE	
		FFH	ROOF DRAIN	
		FFI	RIGID INSULATION	
		FFJ	RIGID INSULATION	
		FFK	REINFORCE	

STANDARD GRAPHICS AND SYMBOLS



TYPICAL MATERIALS



**mc millan | parsons | smith**  
architects

ashville atlanta charlotte columbus greenville harrisburg  
p.o. box 8922 greenville, sc 29604-8922 | 864.242.2034 | 864.242.2034  
www.mcsmillanparsonsmith.com

STATE OF SOUTH CAROLINA  
REGISTERED ARCHITECT  
BOB G. SMITH  
100573

STATE OF SOUTH CAROLINA  
REGISTERED ARCHITECT  
MELISSA PARSONS  
100573

1890 EXTENSION SC STATE UNIVERSITY  
CAMP HARRY G. DANIELS 1890 EXTENSION  
FACILITY - RE - BID  
Agency Review ID: H24-9649-CA  
116 Camp Daniels Road, Ellenton, SC

SHEET ISSUE:  
NO. DATE DESCRIPTION BY  
0 2018.03.27 Re-Bid Package MM

BD SET

OSE REVIEW SUBMITTAL 11/17/2017

PREPARED BY: CS  
PROJECT ARCHITECT: MS  
DRAWN BY: SS / CS

SHEET TITLE:  
ABBREVIATION,  
SYMBOLS, LEGENDS &  
GENERAL NOTES

SHEET NO. PROJ. NO.  
131-00

GO.02