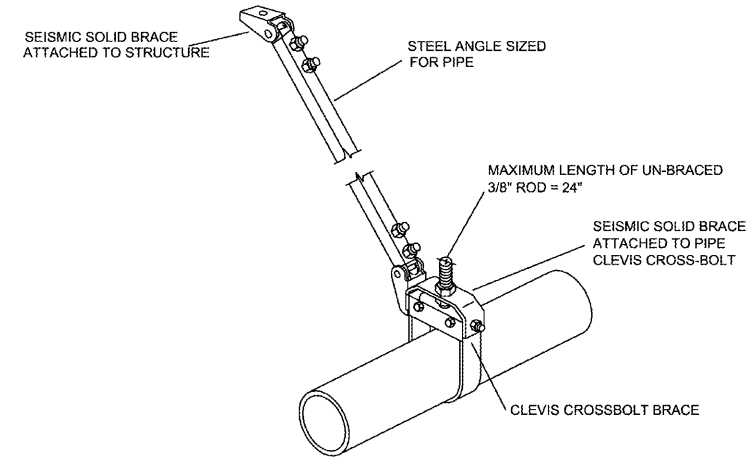


SOLID BRACE RESTRAINT SYSTEM FOR PIPES

"LONGITUDINAL" TYPICAL
NTS

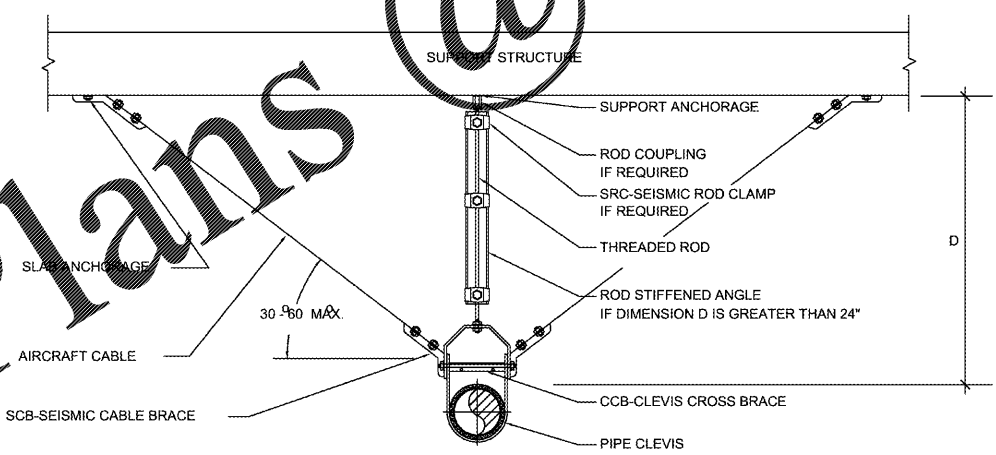


SOLID BRACE RESTRAINT SYSTEM FOR PIPES TYPICAL

NOTE:
1. IF 3/8" SUPPORT ROD EXCEEDS 24", PROVIDE SEISMIC ROD CLAMPS PER DETAIL.

SEISMIC RESTRAINTS FOR HVAC EQUIPMENT AND PIPING WILL BE AS DESIGNED AND CERTIFIED BY MASON INDUSTRIES OR KINETICS NOISE CONTROL. CONTRACTOR MAY USE THE SERVICES OF A REGISTERED STRUCTURAL ENGINEER TO CERTIFY ANY SUPPORTS USED BY THE CONTRACTOR AS LONG AS THEY MEET THE SEISMIC REQUIREMENTS OF ZONE 3.

CONTRACTOR MUST ENLIST THE SERVICES OF A LICENSED ENGINEER TO CERTIFY THE INSTALLATION AND PROVIDE A CERTIFICATION LETTER TO BE SUBMITTED TO THE COLLIERVILLE CODE DEPARTMENT.



SEISMIC CABLE BRACE GUIDELINES FOR CLEVIS SUPPORT PIPE
NTS

OTHER BRACING MAY BE USED IF RECOMMENDATED AND CERTIFIED BY THE MANUFACTURER

SEISMIC NOTES FOR BRACING PIPES

1. BRACE ALL PIPES 2 1/2" DIAMETER AND LARGER:
EXCEPTIONS:
A. BRACE ALL PIPING 1 1/4" AND LARGER LOCATED IN MECHANICAL EQUIPMENT ROOMS. BRACING REQUIREMENTS FOR PIPES LESS THAN 2 1/2" IN DIAMETER SHALL BE THE SAME AS FOR 2 1/2" PIPES IN ALL LOCATIONS.
B. BRACE ALL FUEL GAS PIPING NO EXCEPTIONS.
C. SEISMIC BRACE MAY BE OMITTED: (EXCEPT GAS)
1.) WHEN THE TOP OF THE PIPE IS SUSPENDED 12" OR LESS FROM THE SUPPORTING STRUCTURAL MEMBER, AND THE PIPE IS SUSPENDED BY AN INDIVIDUAL HANGER; HOWEVER, IF THE 12" LIMIT IS EXCEEDED AT ANY POINT IN THE RUN, SEISMIC BRACING IS REQUIRED FOR THE ENTIRE RUN.
a.) THE 12" EXEMPTION APPLIES TO TRAPEZE SUPPORTED SYSTEMS IF THE TOP OF EACH ITEM SUPPORTED BY THE TRAPEZE QUALIFIES.
2.) ALL PIPING 3/4" DIAMETER AND SMALLER.
2. DETAILS SHOWN PROVIDE A LATERAL BRACING SYSTEM. A TYPICAL VERTICAL SUPPORT SYSTEM MUST ALSO BE USED.
A. VERTICAL PIPING
1.) ATTACHMENT - VERTICAL PIPING SHALL BE SECURED AT SUFFICIENTLY CLOSE INTERVALS TO KEEP THE PIPE IN ALIGNMENT AND CARRY THE WEIGHT OF THE PIPE AND CONTENTS. STACKS SHALL BE SUPPORTED AT THEIR BASES.
2.) COPPER TUBING - COPPER TUBING SHALL BE SUPPORTED AT EACH STORY FOR PIPING 1 1/2" AND LARGER DIAMETER, AND AT NOT MORE THAN 6 FOOT INTERVALS FOR PIPING 1 1/2" AND SMALLER IN DIAMETER.
3.) PIPES OF OTHER APPROVED MATERIAL SHALL BE SUPPORTED IN ACCORDANCE WITH THEIR APPROVED INSTALLATION STANDARDS.
B. HORIZONTAL PIPING
1.) SUPPORTS - HORIZONTAL PIPING SHALL BE SUPPORTED AT SUFFICIENT CLOSE INTERVALS TO KEEP IT IN ALIGNMENT AND PREVENT SAGGING.
3. TRANSVERSE BRACING AT 40'-0" MAXIMUM UNLESS OTHERWISE NOTED.
4. LONGITUDINAL BRACING AT 60'-0" MAXIMUM UNLESS OTHERWISE NOTED.
5. TRANSVERSE BRACING FOR ONE PROJECTION MAY ALSO SET AS LONGITUDINAL BRACING FOR THE PIPE SECTION CONNECTED PERPENDICULAR TO IT IF THE BRACING IS INSTALLED WITHIN 24" OF THE ELBOW OR TEE OF SIMILAR SIZE.
6. DO NOT USE BRANCH LINES TO BRACE MAIN LINES.
7. A RIGID PIPING SYSTEM SHALL NOT BE BRACED TO DISSIMILAR PARTS OF BUILDING OR TWO DISSIMILAR BUILDING SYSTEMS THAT MAY RESPOND IN A DIFFERENT MODE DURING AN EARTHQUAKE. EXAMPLES: WALL AND A ROOF; SOLID CONCRETE WALL AND A METAL DECK WITH LIGHTWEIGHT CONCRETE FILL.
8. PROVIDE LARGE ENOUGH PIPE SLEEVES THROUGH WALLS OR FLOORS TO ALLOW FOR ANTICIPATED DIFFERENTIAL MOVEMENTS.
9. AT VERTICAL PIPE RISERS, WHEREVER POSSIBLE, SUPPORT THE WEIGHT OF THE RISER AT A POINT OR POINTS ABOVE THE CENTER OF GRAVITY OF THE RISER. PROVIDE LATERAL GUIDES AT THE TOP AND BOTTOM OF THE RISER, AND AT INTERMEDIATE POINTS NOT TO EXCEED 30'-0" ON CENTER.
10. CAST IRON PIPE OF ALL TYPES, AND ANY OTHER PIPE JOINED WITH A SHIELD AND CLAMP ASSEMBLY WHERE THE TOP OF THE PIPE IS 12" OR MORE FROM SUPPORTING STRUCTURE SHALL BE BRACED ON EACH SIDE OF A CHANGE IN DIRECTION OF 90° OR MORE. RISER JOINTS SHALL BE BRACED OR STABILIZED BETWEEN FLOORS.
11. FOR GAS PIPING, THE BRACING DETAILS, SCHEDULES AND NOTES MAY BE USED EXCEPT THAT TRANSVERSE BRACING SHALL BE AT 20'-0" O.C. MAXIMUM AND LONGITUDINAL BRACING AT 40'-0" O.C. MAXIMUM ALSO 1", 1 1/4", 1 1/2" AND 2" DIAMETER PIPES SHALL BE BRACED THE SAME AS 2 1/2" DIAMETER PIPE IN THE SCHEDULE. (NO BRACING IS REQUIRED FOR PIPES 3/4" DIAMETER AND SMALLER).

These drawings and specifications are owned and copyrighted by GUY PAYNE & ASSOCIATES ARCHITECTS and may not be used, copied or duplicated without written consent. Any information contained herein may be subject such persons to criminal and civil penalties and

GUY PAYNE & ASSOCIATES ARCHITECTS, P.C.
 879 Willow Tree Circle, Suite 114
 Cordova, TN 38018
 901.756.1878 (P) 901.756.1879 (F)

NEW COMMUNITY CENTER FOR
 Hickory Chase Apartments
 600 HERITAGE DRIVE
 MADISON, TN

Benjamin Allen
 12/13/17

DATE	NO.
PROJECT NUMBER	
DATE OF ORIGINAL ISSUE	12/13/17
SHEET NUMBER	

M4

Order Plans

WWW.WWJOnline.com