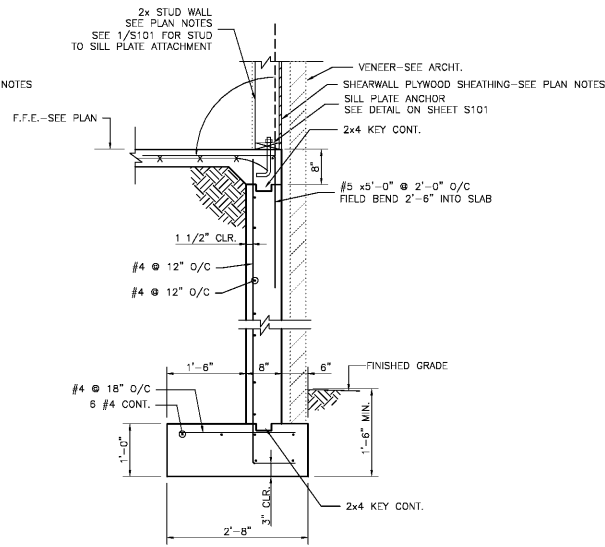
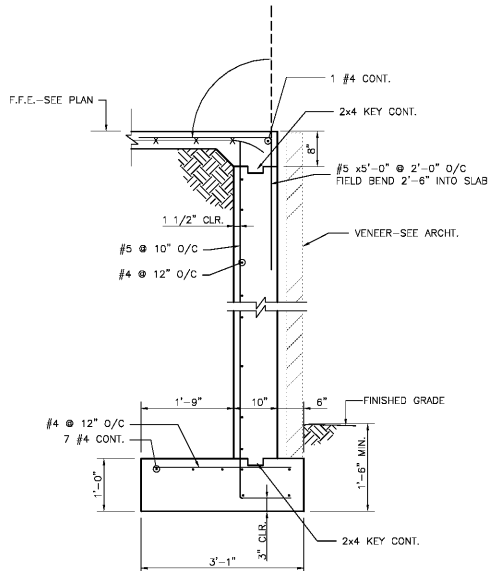


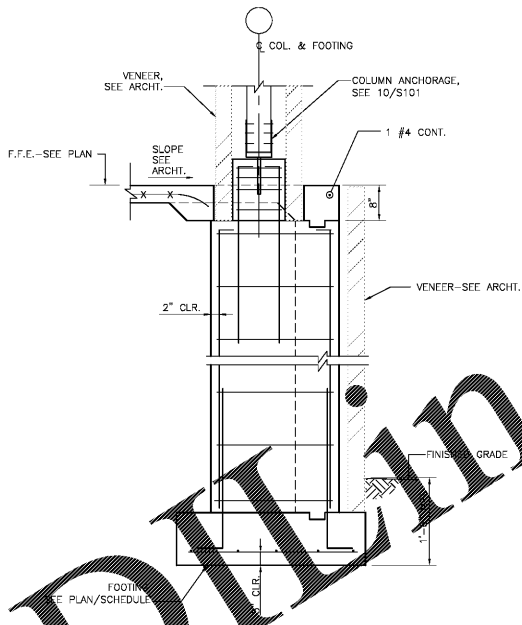
1 TYP. @ RETAINING WALL 1
SCALE 3/4" = 1'-0"



2 TYP. @ RETAINING WALL 2
SCALE 3/4" = 1'-0"



3 TYP. @ RETAINING WALL 3
SCALE 3/4" = 1'-0"



4 TYP. @ PIER 'P1'
SCALE 3/4" = 1'-0"

Order Plans @ www.LDOnline.com

GUY PAYNE & ASSOCIATES
ARCHITECTS, P.C.
878 Willow Tree Circle, Suite 114
Cordova, TN 38018
901.756.1878(p)901.756.1878(f)

NEW COMMUNITY CENTER FOR
Hickory Chase Apartments
600 HERITAGE DRIVE
MADISON, TN

DATE	NO.