

REFER TO ARCHITECTURAL DRAWINGS FOR ALL DIMENSIONS AND ELEVATIONS.

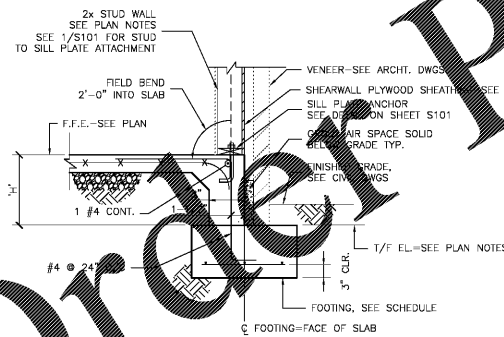
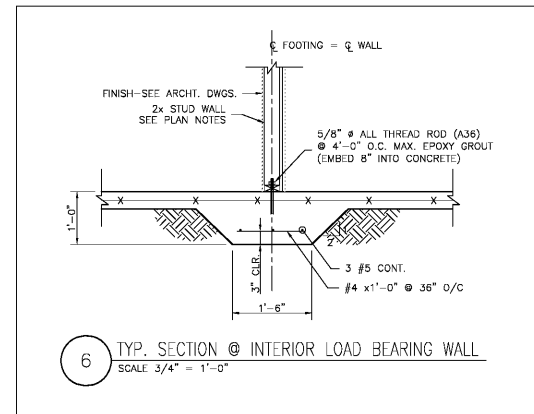
FOUNDATION AND GROUND FLOOR PLAN AREA 'A'
SCALE 1/4" = 1'-0"

PLAN NOTES:

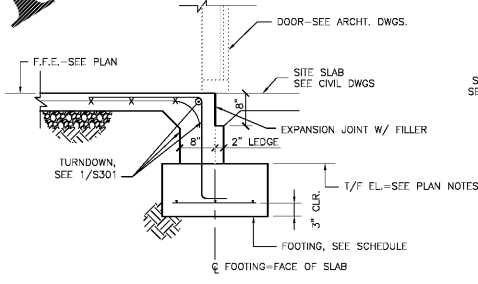
- SEE SHEET S100, S101 & S102 FOR GENERAL NOTES AND DETAILS.
- FINISH SLAB ELEVATION = 0'-0" DATUM.
- 4" SLAB ON GRADE W/ (1) LAYER WWF 6x6-W14x40 (PLACED 1" FROM TOP OF SLAB) TYP. UNLESS NOTED.
- ALL FOOTINGS ARE CENTERED ON COLUMNS OR WALLS UNLESS NOTED.
- TOP OF FOOTING ELEVATION:
 - EXTERIOR = 1'-4" LOW FINISHED FLOOR, U.N. (ADJUST FOR FINISH SEE S100 FOR DETAILS) SETTING TO PAR 2' MIN. BELOW EXTERIOR FINISHED GRADE OR GEOTECH REPORT.
 - INTERIOR FINISH FLOOR, U.N. (MONOLITHIC) SETTING TO PAR 18" MIN. BELOW INTERIOR PREPPED GRADE (BOTTOM OF SLAB).
- FOR DOOR DRILLS AND SILLS SEE ARCHT. DWGS.
- SHEAR WALLS: 1, 2, 3, 4, 5 & 6 ON S101, 3/S102
 - ALL SHEAR WALLS TO BE FULLY SHEATHED ON ONE SIDE (EXCEPT ALL EDGES) WITH 1/2" THICK PLYWOOD SHEATHING. SEE NOTES TO END AND ATTACH SHEATHING TO ROOF PLY.
 - SHEARWALL NAILING: USE 10d NAILS; PANEL EDGES AND BOUNDARIES-3" O.C., U.N. INTERMEDIATE FRAMING MEMBERS: 12" O.C. (U.N.) (SEE 2/S102).
 - ALL EXTERIOR LOAD BEARING WALLS ARE SHEARWALLS.
 - ALL EXTERIOR LOAD BEARING STUD WALLS SHALL BE SYP (NO. 2) 2x6 @ 16" o/c U.N..

LEGEND:

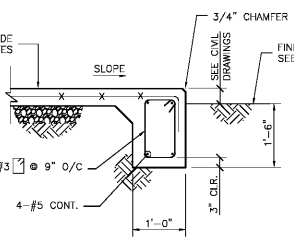
- SIMPSON HOLD DOWN HD7B SEE 4/S301
- LOAD BEARING 2x6 SYP STUD GRADE @ 16" O/C STUD WALL ALL SUCH WALLS ARE SHEARWALLS. SEE PLAN NOTES 7 & 8. SHEARWALL EXTENDS FROM HOLDDOWN (WITH OR WITHOUT OPENINGS IN BETWEEN).
- NON-LOAD BEARING STUD WALL, SEE ARCHT. DRAWINGS.
- FOOTING SIZE-SEE SCHEDULE ON SHEET S100
- STUD COLUMN, SEE 3/S102
- CONTROL JOINT/CONSTRUCTION JOINT IN SLAB SEE SHEET S100.
- 6x6 SYP NO. 2 WOOD COLUMN



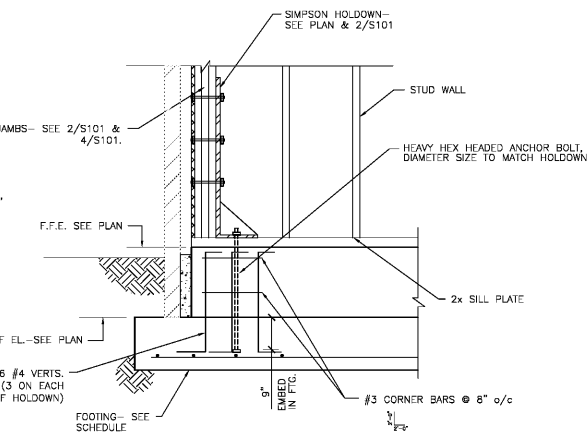
1 TYP. SECTION @ EXTERIOR WALL
SCALE 3/4" = 1'-0"
(@ 1" LESS THAN 2'-0")



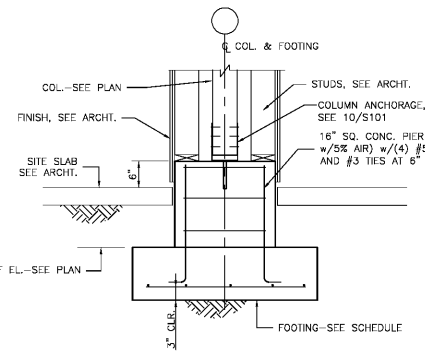
2 TYP. SECTION @ EXTERIOR DOOR
SCALE 3/4" = 1'-0"



3 TYP. SECTION @ PATIO EDGE
SCALE 3/4" = 1'-0"



4 TYP. HOLDDOWN ANCHORAGE @ EXTERIOR WALL
SCALE 3/4" = 1'-0"



5 TYP. SECTION @ ENTRY COLUMN
SCALE 3/4" = 1'-0"

Order Plans

WWW.LDOnline.com

GUY PAYNE & ASSOCIATES
ARCHITECTS, P.C.
878 Willow Tree Circle, Suite 114
Cordova, TN 38018
901.756.1878(p) 901.756.1878(f)

NEW COMMUNITY CENTER FOR
Hickory Chase Apartments
600 HERITAGE DRIVE
MADISON, TN

DATE	NO.

S201