

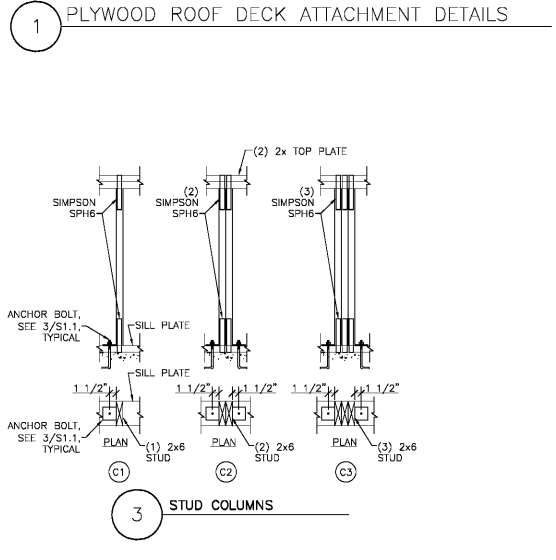
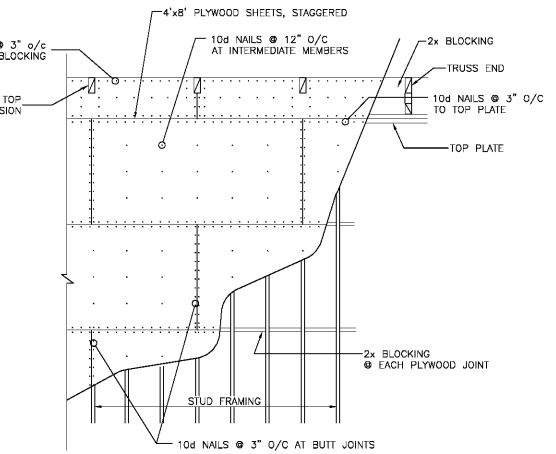
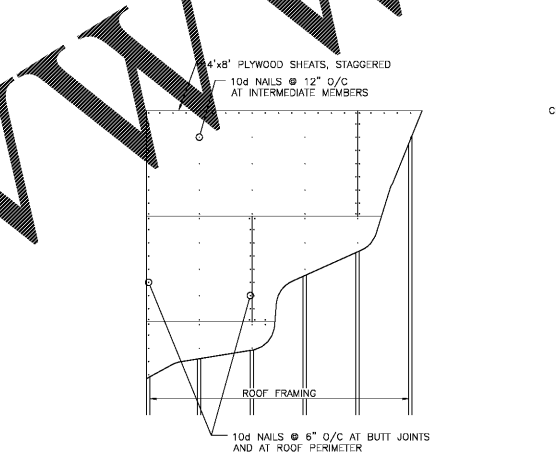
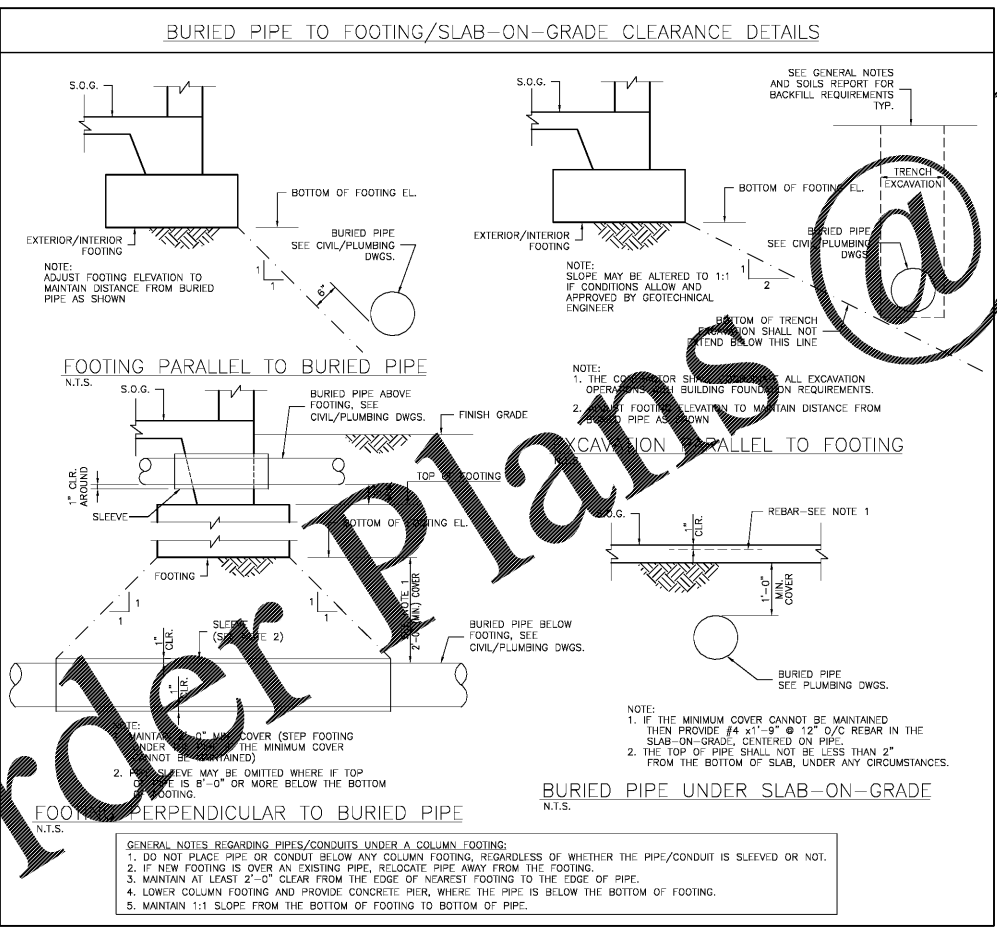
### NAILING SCHEDULE

CONNECTION	NAILING
JOIST TO SILL OR GIRDER	3-10d, TOENAIL
BRIDGING TO JOIST	3-8d, TOENAIL E.E.
SOLE PLATE TO JOIST OR BLOCKING TYP.	16d @ 16", FACE NAIL
SOLE PLATE TO JOIST OR BLOCKING AT BRACED (SHEARWALL) WALL PANEL	16d @ 8", FACE NAIL
TOP PLATE TO STUD	2-16d, ENDNAIL
STUD TO SOLE PLATE	4-10d TOENAIL
DOUBLE STUDS	16d @ 24" o/c FACE NAIL
DOUBLED TOP PLATES, TYP. DOUBLED TOP PLATES, LAP SPICE	16d @ 16" FACE NAIL 12-16d, FACE NAIL
BLOCKING BETWEEN JOISTS OR RAFTERS TO TOP PLATE	4-16d, TOE NAIL
RIM JOIST/KNEE WALL TRUSS TO TOP PLATE	10d @ 8", TOENAIL
TOP PLATES, LAPS AND INTERSECTIONS	3-16d, FACENAIL (12-16d AT SHEARWALLS)
CONTINUOUS HEADER, TWO PIECES	16d @ 16" ALONG EA. EDGE
CEILING JOISTS TO PLATE	4-8d, TOENAIL
CONTINUOUS HEADER TO STUD	4-16d, TOENAIL
CEILING JOISTS, LAPS OVER PARTITIONS	4-16d, FACENAIL
CEILING JOISTS TO PARALLEL RAFTERS	4-12d, FACENAIL
RAFTERS TO PLATE	4-10d, TOENAIL
BUILT-UP CORNER STUDS	16d @ 24"
BUILT UP GIRDERS AND BEAMS	20d @ 32" TOP & BOTT. AND STAGGERED 2-20d AT LAPS & ENDS.
BANDING TO TOP PLATE, FACE NAIL	10d @ 8"
TRUSS TO BANDING, FACE NAIL	3-16d COMMON

### WOOD HEADER SCHEDULE

ROUGH OPENING	HEADER ROOF	JAMB - EACH END TRIMMER	KING STUD
UP TO 3'-0"	(3) 2x6	1	(C1)
3'-10" TO 6'-0"	(3) 2x8	1	(C2)
6'-1" TO 7'-4"	(3) 2x10	2	(C2)

Notes: 1. Headers shown in plan or section shall supersede this schedule.  
2. Trimmers and king studs shall be nailed together per Note 1 on sheet S1.2.  
3. See 8/S1.1 for header to stud/trimmer connection.  
4. See General Notes for lumber grade and species for headers.  
5. Provide Filler Plywood as required to match stud width.  
6. Stud and Trimmers to be same size as the wall.  
7. (C2) SEE 3/S1.2



GUY PAYNE & ASSOCIATES ARCHITECTS, P.C.  
879 Willow Tree Circle, Suite 114  
Cordova, TN 38018  
901.756.1878(p)/901.756.1879(f)

NEW COMMUNITY CENTER FOR Hickory Chase Apartments  
600 HERITAGE DRIVE  
MADISON, TN

DATE	NO.