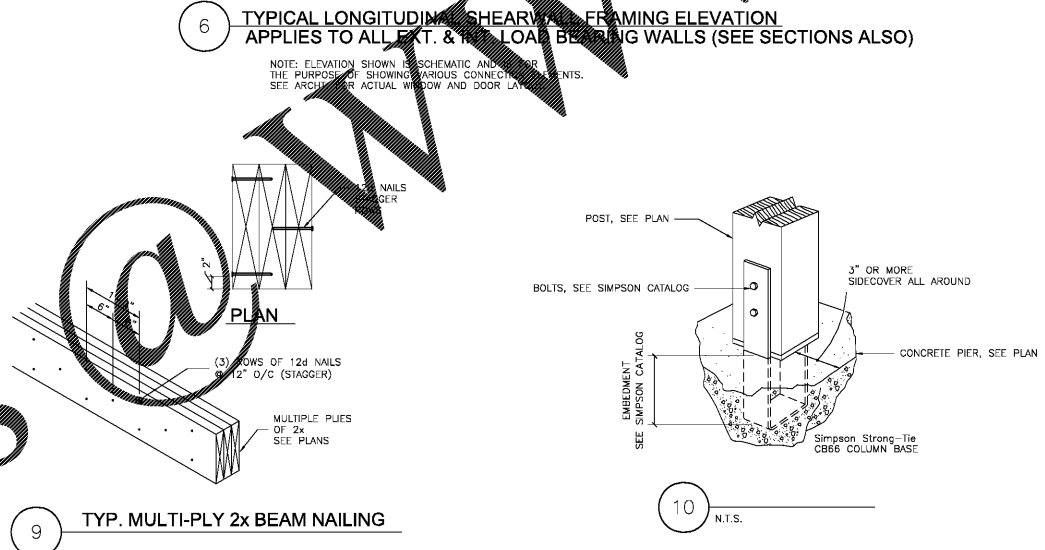
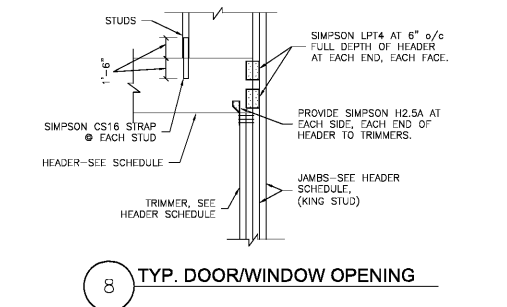
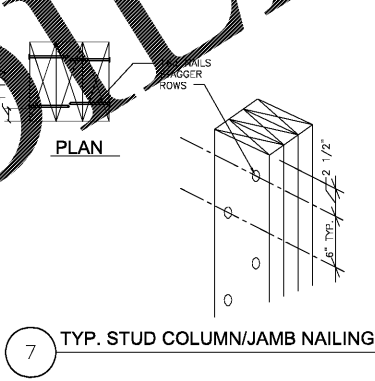
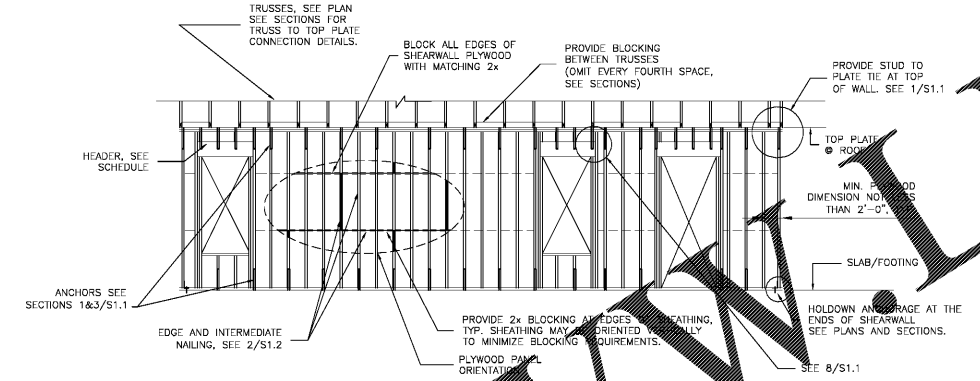
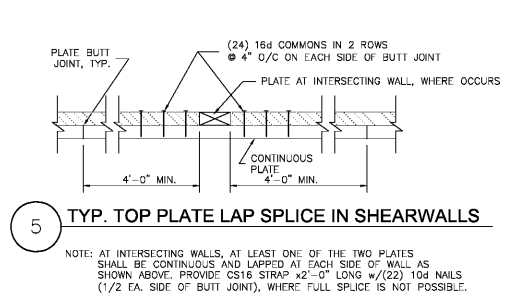
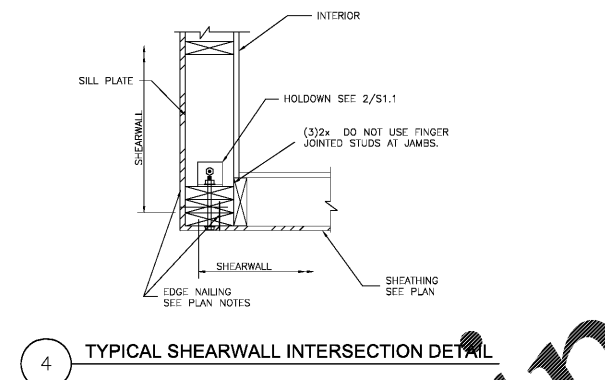
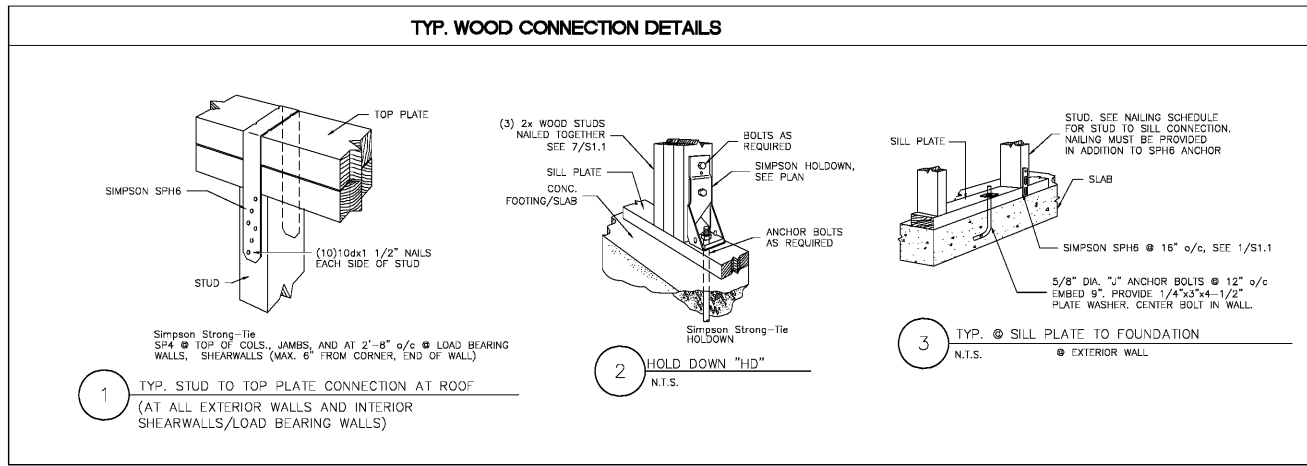


TYP. WOOD CONNECTION DETAILS



Order Plans

WWW.LDLINE.COM

GUY PAYNE & ASSOCIATES ARCHITECTS, P.C.
879 Willow Tree Circle, Suite 114
Cordova, TN 38018
901.756.1878(p) 901.756.1878(f)

NEW COMMUNITY CENTER FOR
Hickory Chase Apartments
600 HERITAGE DRIVE
MADISON, TN

DATE	NO.