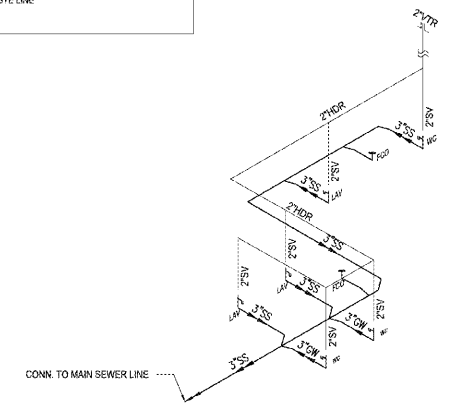


2 GREASE WASTE DIAGRAM
P2.0 N.T.S.

LEGENDS	ABBREVIATIONS
○+ COLD WATER	CW COLD WATER
○+ HOT WATER	FCO FLOOR CLEAN OUT
○ HUB DRAIN	FD FLOOR DRAIN
● FLOOR DRAIN	FS FLOOR SINK
● VENT STACK PIPE	HD HUB DRAIN
● FLOOR CLEAN OUT	HW HOT WATER
○ WALL CLEAN OUT	VT VENT
○ FLOOR SINK - PARTIAL GRATE	WH WATER HEATER
○ COLD WATER LINE	WCO WALL CLEAN OUT
○ HOT WATER LINE	
○ SANITARY LINE	
○ GREASE WASTE LINE	
○ GAS LINE	



3 SANITARY DIAGRAM
P2.0 N.T.S.

1 PLUMBING PLAN - BELOW FLOOR
P2.0 1/4\"/>

WWW.LDIDLINE.COM

Order Plans @

LAPER
ALPHARETTA, GEORGIA
PLUMBING PLAN & DIAGRAMS

M. Christopher Baldwin, Architect
6017 Sandy Springs Circle
Sandy Springs, Georgia 30328
(404) 406-9041

Copyright Ownership
This drawing is the property of N-CINERS, LLC, and may not be used, copied, or revised without expressed written permission.

Revision		
No.	Date	By

DATE 04/03/2018
DRAWN CC
CHECKED SCH

JOB NO.

SHEET NO.
P2.0