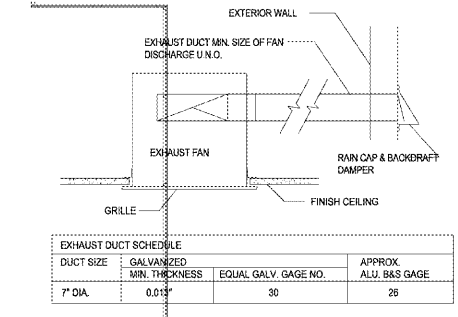
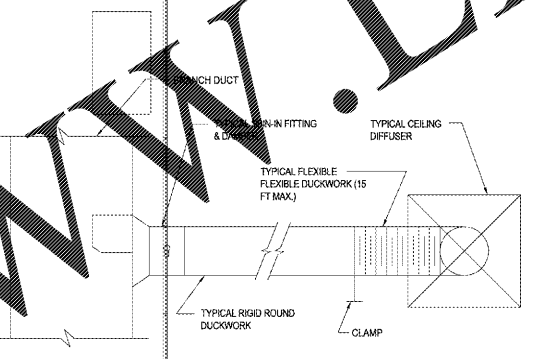


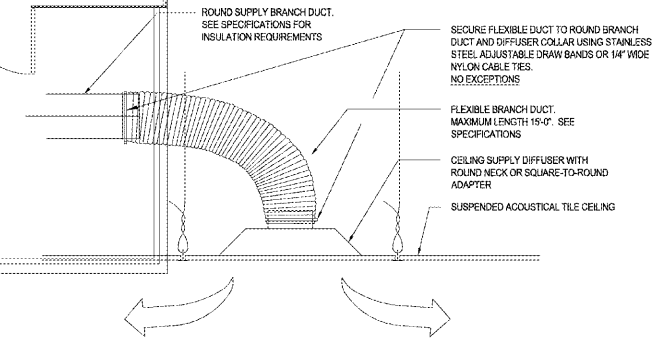
1 MECHANICAL PLAN  
M2.0 / 1/4" = 1'-0"



2 EXHAUST FAN DETAIL  
M2.0 / N.T.S.



4 DUCT TAKE-OFF DETAIL  
M2.0 / N.T.S.



5 FLEXIBLE SUPPLY DUCT DETAIL  
M2.0 / N.T.S.

EXHAUST DUCT SCHEDULE

DUCT SIZE	GALVANIZED MIN. THICKNESS	EQUAL GALV. GAGE NO.	APPROX. ALU. B&S GAGE
7" DIA.	0.013"	30	26

MECHANICAL NOTES

- NEW RTU (5-TON), SEE RTU SCHEDULE. CONTRACTOR SHALL VERIFY EXACT LOCATION.
- EXG. CU & FU, SEE RTU SCHEDULE. CONTRACTOR SHALL VERIFY EXACT LOCATION.
- 12x24 TRUNK DUCT
- PROVIDE THERMOSTAT. CONTRACTOR SHALL VERIFY EXACT LOCATION.
- 4" EXHAUST VENT TERMINATE AT WALLCAP.

DESIGN CFM  
 SUPPLY REGISTER TYPE

HVAC LEGEND

FLEX. 7"	FLEXIBLE ROUND DUCT	2x2 AIR RETURN GRILLE
18"	RIGID ROUND DUCT	16x10 SPIRAL DIFFUSER
	DUCT TRANSITION	12x8 CEILING DIFFUSER
	RETURN AIR DUCT	THERMOSTAT
	2x2 AIR SUPPLY DIFFUSER	EXHAUST FAN

WWW.LDIDLINE.COM

Order Plans

**LAPER**  
ALPHARETTA, GEORGIA  
**MECHANICAL PLAN & DETAILS**

M. Christopher Baldwin, Architect  
6017 Sandy Springs Circle  
Sandy Springs, Georgia 30328  
(404) 406-9041

*Copyright Ownership*  
This drawing is the property of M-CINERIS, LLC, and may not be used, copied, or revised without expressed written permission.

Revision

No.	Date	By

DATE 04/03/2018  
DRAWN CC  
CHECKED SCH

JOB NO.

SHEET NO.  
**M2.0**