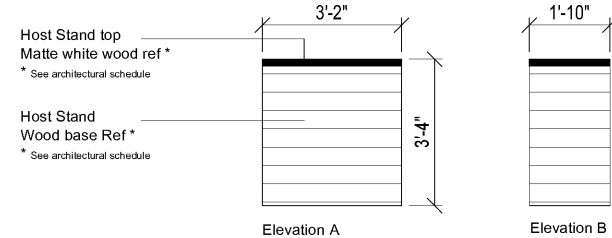
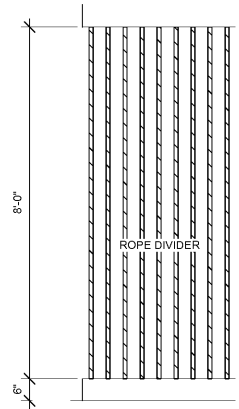


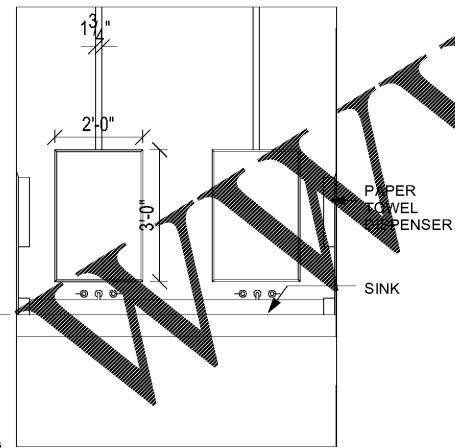
4 RESTAURANT SCONCE DETAILS
1/2" = 1'-0"



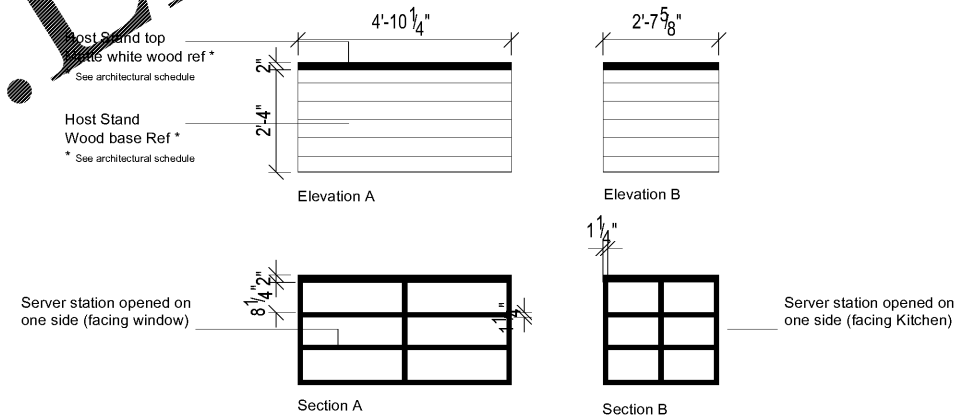
1 HOST STAND DETAILS
1/2" = 1'-0"



6 ELEVATION @ ROPE DIVIDER
1/2" = 1'-0"



5 COMMUNITY SINK VIEW DETAILS
1/2" = 1'-0"

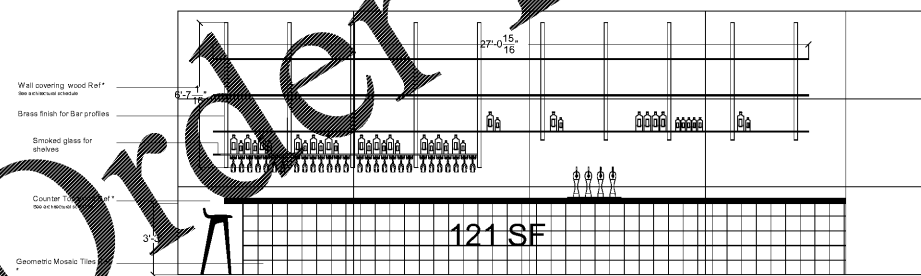


3 SERVER STATION DETAILS
1/2" = 1'-0"

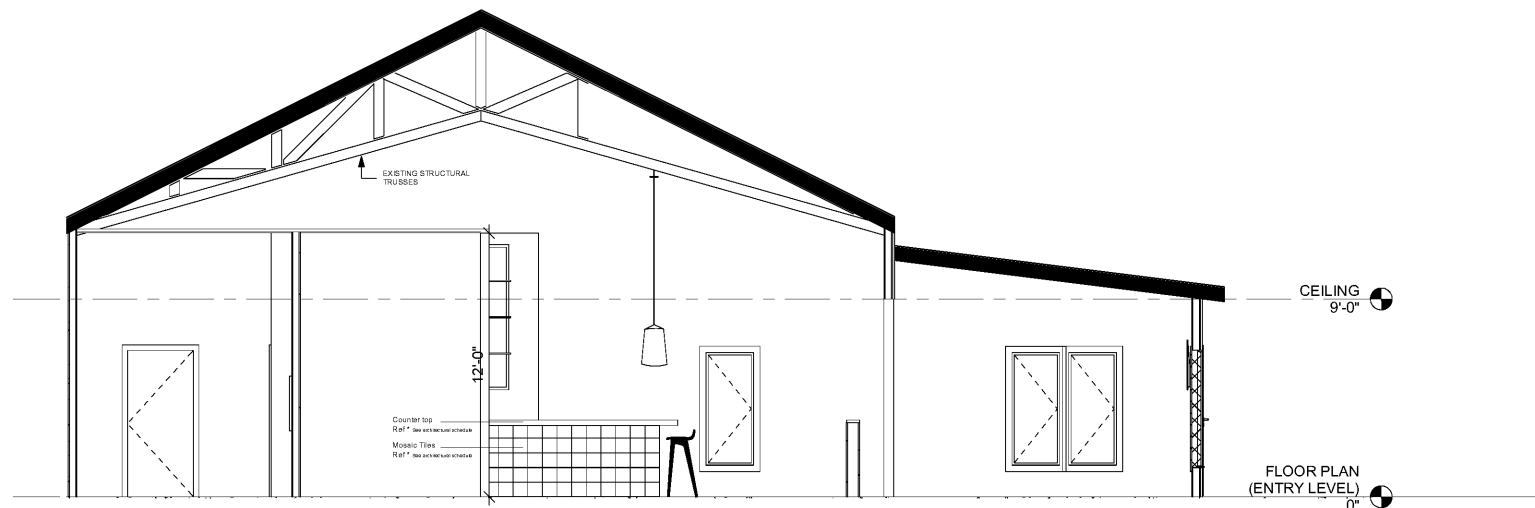
TOTAL TILE SURFACE AREA: 517 S.F.

15 (8' x 4' x 1/2") plywood sheets

*15 sheets to cover the whole area with a 1/2" thickness if 30 sheets to make 1".



2 BAR DESIGN DETAILS
1/4" = 1'-0"



NOT RELEASED FOR CONSTRUCTION

LAPEER RESTAURANT
8 SOUTH MAIN STREET ALPHARETTA, GEORGIA 30009

BALDWIN ARCHITECTURAL GROUP
M. Christopher Baldwin, Architect
6017 Sandy Springs Cir.
Atlanta, GA 30328
(404) 406-9041

Copyright Ownership
This drawing is the property of M.C. Baldwin, Arch. and may not be used, copied, or revised without expressed written permission.

Revision		
No.	Date	By

DATE: 11/19/2017
DRAWN: SAY
CHECKED: MCB

JOB NO.
20170911

SHEET NO.
A202