



**Alamance Consulting Engineers**

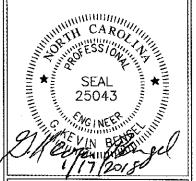
961-F Burlington Ave.  
Gibsonville, N.C. 27249  
Phone: (336) 449-4558  
www.ace-nc.net  
N.C. Firm License Number C-2071



**Lindsay Architecture**  
125 S. Elm Street, Suite 300  
Greensboro, NC 27401  
P. 336.817.4402  
F. 336.817.4434  
www.lindsayarchitecture.com

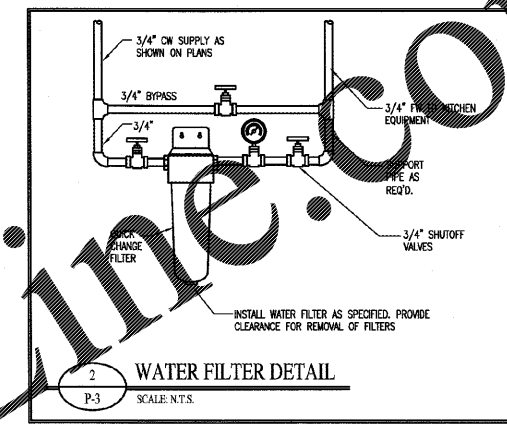
NEW BUILDING FACILITY:  
**COOK OUT**  
601 West 3rd St.  
Pembroke, North Carolina

DRAWING NAME:  
**PLUMBING DETAILS**

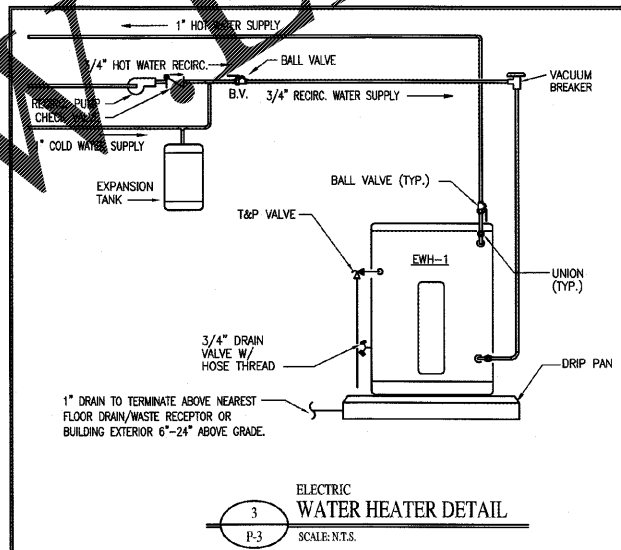


DRAWN:  
MRS  
CHECKED:  
DATE:  
1/17/18  
SCALE:  
AS NOTED  
JOB NO.:  
17116  
SHEET:

**P-3**



**2 WATER FILTER DETAIL**  
SCALE: N.T.S.



**3 ELECTRIC WATER HEATER DETAIL**  
SCALE: N.T.S.

PUMP SCHEDULE						
MARK	MANUFACTURER	MODEL NO.	GPM	HEAD (FT.)	HP	VOLTAGE
BCP-1	B & G	PL-30	4	17	1/12	115V/1Ø

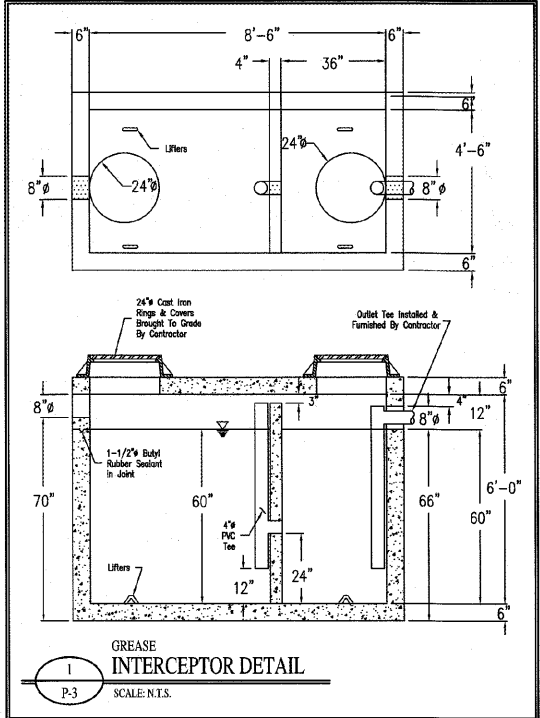
WATER HEATER SCHEDULE							
MARK	TANK VOLUME	RECOVERY	TEMPERATURE RISE	ELEMENT SIZE	POWER	MANUFACTURER	MODEL
EWH-1	10 GAL.	8 GPH	100°	2.0 KW	120V/1Ø	RINNAI	EGSP10

PLUMBING FIXTURE SCHEDULE										
ITEM NO.	KITCHEN EQUIPMENT ITEM NO.	FIXTURE DESCRIPTION	MANUFACTURER	* MODEL NO.	CONNECTION SIZES				REMARKS	
					C.W.	FILTER	H.W.	140° H.W.		WASTE
WC-1		WATER CLOSET-ADA FLUSH VALVE	KOHLER	K4325-0	1"			4"	2"	WALL MTD., ELONGATED BOWL, ZURN FLUSH VALVE (MODEL #Z600PL-HET), ADA COMPLIANT, 1.28 GPF WATER SAVING, BEHNS SEAT #1955C
LV-1		WALL HUNG LAVATORY - ADA	KOHLER	K2005-0	1/2"	1/2"		2"	1-1/2"	WALL MOUNTED, ADA COMPLIANT, W/Delta FAUCET (MODEL #501DST), W/ BUILT-IN TEMPERING VALVE, TRUEBRO PIPING COVERS
UR-1		URINAL - ADA	KOHLER	K4991ET-0	3/4"				1-1/2"	WALL MTD., COMMERCIAL WASHOUT, HIGH EFFICIENT, 0.5 GPF ZURN FLUSH VALVE (MODEL #Z6003EWSYBIC)
HS-1	3	HAND SINK	TITAN	SHS-1012-CUSTOM	1/2"	1/2"		2"	1-1/2"	WALL MOUNTED, ADA COMPLIANT, W/Delta FAUCET (MODEL #792-DST) W/BUILT-IN TEMPERING VALVE, JB VESSEL DRAIN (MODEL #JBD590)
SK-1	6	4-COMPARTMENT SINK	TITAN	S.S. 4 COMPARTMENT SINK	1/2"		1/2"	4" INDR.	1-1/2"	WRISTBLADE, GOOSENECK FAUCET SPECIFIED BY OWNER, TRUEBRO PIPING COVERS
SK-2	26	1-COMPARTMENT SINK	TITAN	S.S. 1 COMPARTMENT SINK	1/2"		1/2"	3"		WRISTBLADE, GOOSENECK FAUCET SPECIFIED BY OWNER, TRUEBRO PIPING COVERS
FS-1		FLOOR SINK	ZURN	ZS1902-WFS				4"	2"	12"x12" SANI-FLOOR RECEPTOR, 10" SUMP DEPTH WITH VANAL-PROOF FLAT BOTTOM STRAINER & LOCKDOWN BAR
FD-1		FLOOR DRAIN (SQUARE)	ZURN	ZM415-B10-P				4"	2"	EQUIPPED WITH 8"x8" SQUARE ADJUSTABLE NICKEL TYPE "S" STRAINER AND TRAP PRIMER
CW-1	1	CAN WASH	SITE CONSTRUCTED		3/4"			3/4"	4"	T&S BRASS B-0665-9STIP SERVICE SINK FAUCET MOUNTED AT 36" A.F.F.
IM-1	15	ICE MACHINE	HOSHIZAKI AMERICA	OWNER SPECIFIED		1/2"		3/4"		
DM-1	31	DRINK MACHINE		OWNER SPECIFIED		1/2"				
SM-1	18	MILK SHAKE MACHINE	TAYLOR	OWNER SPECIFIED		1/2"				
TB-1	21	TEA BREWER		OWNER SPECIFIED		1/2"				
EQ2		FLOOR CLEAN OUT	ZURN	Z-1400						SIZE DETERMINED UPON WASTE PIPE
HB-1		CHROME HOSE BIBB	WOODFORD	26PRC			1/2"			MOUNT 24" A.F.F.
FRH-1		FREEZELESS ROOF HYDRANT	ZURN	V1388-VB	1/2"			1/8"		ANTI-FREEZE DRAINED PIPED TO NEAREST INTERIOR DRAIN, MOUNT PER MANUFACTURER RECOMMENDATIONS
FPWH-1		FROST PROOF WALL HYDRANT	WOODFORD	22P	1/2"					MOUNT 24" ABOVE GRADE LEVEL
FPWH-2		FROST PROOF WALL HYDRANT	WOODFORD	22P			1/2"			MOUNT 24" ABOVE GRADE LEVEL
YCO		YARD CLEAN OUT	ZURN	Z-1470						TRAFFIC RATED WITH FLANGED ACCESS BOX SIZE DETERMINED UPON WASTE PIPE
WF-1		WATER FILTER	SUPPLIED BY OWNER	OWNER SPECIFIED	3/4"	3/4"				
TD-1		TRENCH DRAIN	ZURN	Z883-FS				4"	2"	6" WIDE X 40" LONG, STAINLESS STEEL BAR GRADE #5BG, BOTTOM/OUTLET, CLOSED TOP CAPS. LENGTH OF TRENCH DRAIN TO MATCH MACHINE
HD-1		HUB DRAIN	CHARLOTTE PLASTICS	4"x4"				4"	2"	

\* FIXTURE MODEL NUMBERS LISTED ARE FOR DESCRIPTION ONLY.

WASTE AND WATER CALCULATIONS									
FIXTURE TYPE	QUANTITY	WASTE FIXTURE UNITS		HOT WATER FIXTURE UNITS		COLD WATER FIXTURE UNITS		TOTAL WATER FIXTURE UNITS	
		PER UNIT	TOTAL	PER UNIT	TOTAL	PER UNIT	TOTAL	PER UNIT	TOTAL
WATER CLOSET - VALVE	1	4	4	0	0	10	10	10	10
URINAL	1	4	4	0	0	5	5	5	5
LAVATORY	1	1	1	1.5	1.5	1.5	1.5	2	2
HAND SINK	3	2	6	1	3	1	3	4.2	4.2
FLOOR DRAIN	16	2	32	0	0	0	0		
CAN WASH/WOP SINK	1	2	2	2.25	2.25	2.25	2.25	3	3
1-COMP SINK	1	4	4	3	3	3	3	4	4
4-COMP SINK	1	4	4	3	3	3	3	4	4
HOSE BIBB	5	0	0	0.5	2.5	0	0	0.5	2.5
HOSE BIBB	3	0	0	0	0	1.5	1.5	0.5	1.5
DRINK MACHINE	2	0.5	1	0	0	0.25	0.50	0.25	0.50
ICE MACHINE	2	0.5	1	0	0	0.25	0.50	0.25	0.50
SHAKE MACHINE	1	0.5	0.5	0	0	0.25	0.25	0.25	0.25
TEA BREWER	1	0.5	0.5	0	0	0.25	0.25	0.25	0.25
HOOD PIRANHA SYSTEM	1	0	0	0	0	10	10	10	10
HUB DRAIN	4	3	12	0	0	0	0	0	0
<b>TOTAL</b>			<b>100</b>		<b>15.25</b>		<b>40.75</b>		<b>47.7</b>

1. 4" WASTE LINE SLOPED AT 1/8" PER 1'-0" IS ADEQUATE FOR 180 FIXTURE UNITS  
2. 1-1/2" WATER LINE IS ADEQUATE FOR 62 GPM. GPM = 49



**1 GREASE INTERCEPTOR DETAIL**  
SCALE: N.T.S.

GREASE INTERCEPTOR SCHEDULE	
MARK	DESCRIPTION
GI-1	SEE DETAIL - 1500 GALLON PRECAST CONCRETE GREASE INTERCEPTOR STAY-RIGHT PRECAST (OR EQUAL)

EQUAL OR LARGER INTERCEPTORS ARE ACCEPTABLE.

GREASE INTERCEPTOR CALCULATIONS				
MARK	QUANTITY	VOLUME	ACTUAL DRAINAGE LOAD (VOLUME X .75)	FLOW RATE (2 MIN.)
CAN WASH	1	3.33 gals.	2.50 gals.	1.25 gpm
FLOOR DRAIN	16	-	-	24.0 gpm
TRENCH DRAIN	5	-	-	7.5 gpm
4-COMP SINK	1	101.82 gals.	76.36 gals.	38.18 gpm
1-COMP SINK	1	34.91 gals.	26.18 gals.	13.09 gpm
<b>TOTAL</b>				<b>84.02 gpm</b>

**Order Plans**