

EXHAUST FAN INFORMATION - Job#2555728

FAN UNIT NO.	FAN UNIT MODEL #	MODEL	TAG	CFM	ESP.	RPM	H.P.	#	VOLT	FLA	DISCHARGE VELOCITY	WEIGHT (LBS.)	SONES
1	HRE28X103343M1	HRE-28		3900	.8	1046	3.000	3	208	8.8	1925 FPM	311.70	20

MUA FAN INFORMATION - Job#2555728

FAN UNIT NO.	TAG	FAN UNIT MODEL #	BLOWER	HOUSING	CFM	ESP.	RPM	H.P.	B.H.P.	#	VOLT	FLA	WEIGHT (LBS.)	SONES	BURNER EFFICIENCY(%)
1		A1-D.250-G10	G10	A1-D.250	2912	0.450	1308	2.000	1.8720	3	208	5.9	598	27	92

GAS FIRED MAKE-UP AIR UNIT(S)

FAN UNIT NO.	TAG	INPUT BTUs	OUTPUT BTUs	TEMP. RISE	REQUIRED INPUT GAS PRESSURE	GAS TYPE
1		185925	171051	55 deg F	7 in. w.c. - 14 in. w.c.	Natural

FAN OPTIONS

FAN UNIT NO.	TAG	OPTION (Qty. - Descr.)
1		1 - Motorized Backdraft Damper for A1-D Housing
1		1 - AC Interlock Relay - 24VAC Coil
1		1 - Low Fire Start
1		1 - Inlet Pressure Gauge, 0-35"
1		1 - Manifold Pressure Gauge, -5 to 15" wc

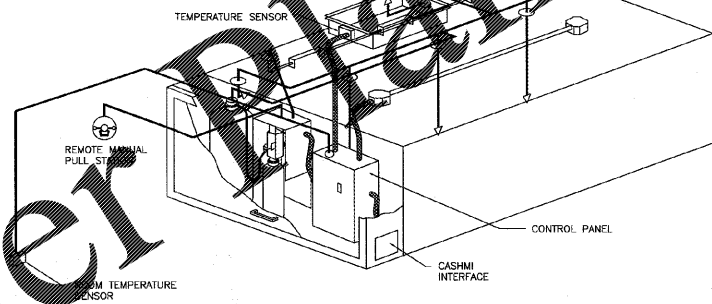
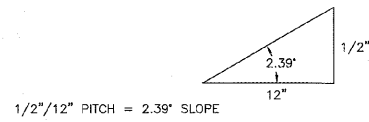
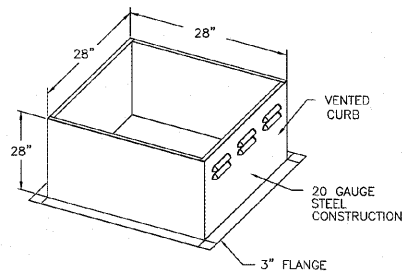
FAN ACCESSORIES

FAN UNIT NO.	TAG	EXHAUST				SUPPLY		
		GREASE CUP	GRAVITY DAMPER	WALL MOUNT	SIDE DISCHARGE	GRAVITY DAMPER	MOTORIZED DAMPER	WALL MOUNT
1							YES	

CURB ASSEMBLIES

NO.	ON FAN	WEIGHT	ITEM	SIZE
1	# 1	63 LBS	Curb	21.000"W x 71.000"L x 20.000"H 0.500:12.000 Pitch Along Width, Right Insulated
2		83 LBS	Curb	28.000"W x 28.000"L x 28.000"H 0.500:12.000 Pitch

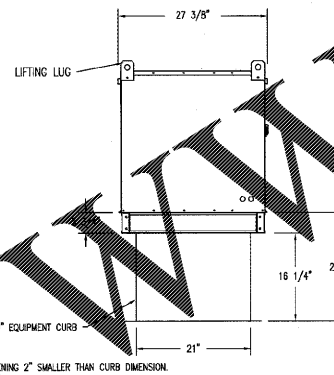
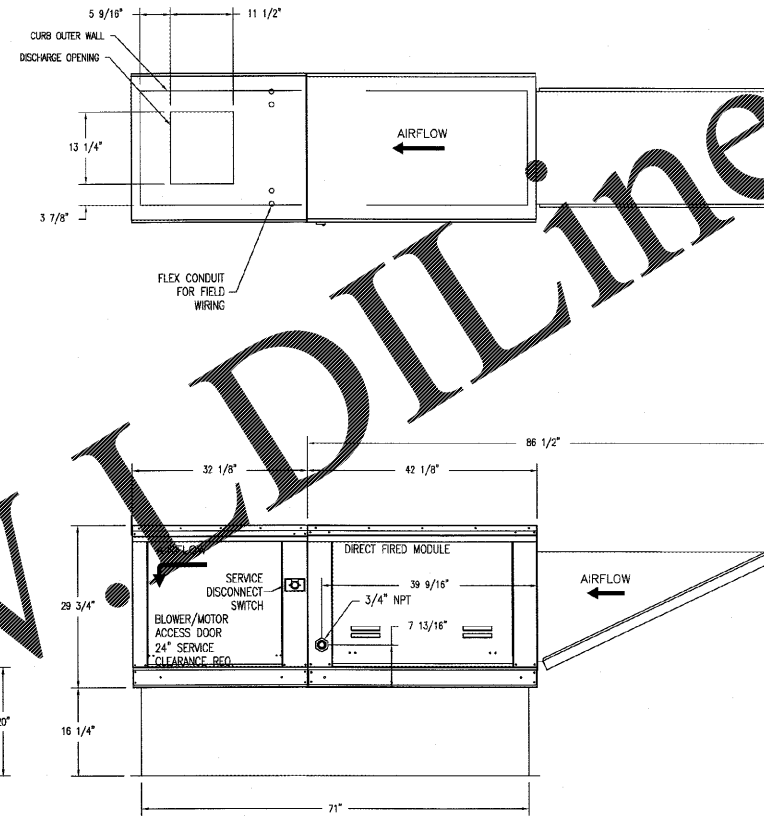
CURB #2 HRE28X28E




TYPICAL CONTROL CENTER INSTALLATION

- FAN #1 A1-D.250-G10 - HEATER**
- DIRECT GAS FIRED HEATED MAKE UP AIR UNIT WITH 10" BLOWER
 - WIDE HOOD WITH F7 FILTERS
 - DOWN DISCHARGE - AIR FLOW RIGHT -> LEFT
 - MOTORIZED BACK DRAFT DAMPER 10" X 18" FOR SIZE 1 STANDARD & MODULAR DIRECT FIRED HEATERS W/EXTENDED SHWT, STANDARD GALVANIZED CONSTRUCTION, 3/4" REAR FLANGE, L71205 ACTUATOR INCLUDED
 - COOLING INTERLOCK RELAY - 24VAC COIL, 120V CONTACTS. LOCKS OUT BURNER CIRCUIT WHEN AC IS ENERGIZED.
 - LOW FIRE START. ALLOWS THE BURNER CIRCUIT TO ENERGIZE WHEN THE MODULATION CONTROL IS IN A LOW FIRE POSITION.
 - GAS PRESSURE GAUGE, 0-35", 2.5" DIAMETER, 1/4" THREAD SIZE
 - GAS PRESSURE GAUGE, -5 TO +15 INCHES WC, 2.5" DIAMETER, 1/4" THREAD SIZE

SUPPLY SIDE HEATER INFORMATION:
 WINTER TEMPERATURE = 20°F, TEMP. RISE = 55°F.
 BTUs CALCULATED OFF ACTUAL AIR DENSITY.
 OUTPUT BTUs AT ALTITUDE OF 0.0 FL. = 171051
 INPUT BTUs AT ALTITUDE OF 0.0 FL. = 185925



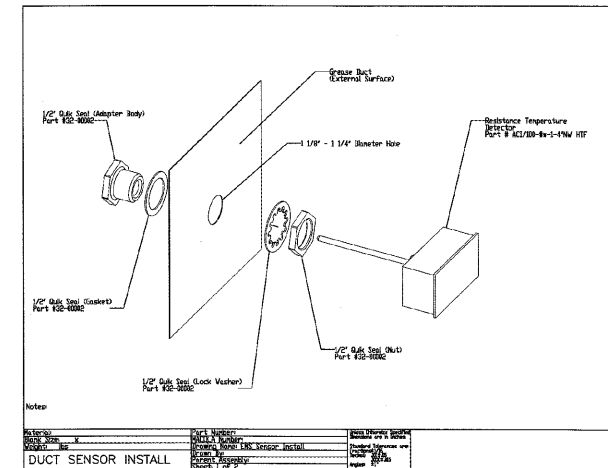
CAPTIVE-AIRE HOODS ARE BUILT IN COMPLIANCE WITH





Intertek
 NFPA #96
 NSF
 UL 710 & ULC710 STANDARDS
 E.T.L. LISTED 3054804-001

FOR QUESTIONS, CALL THE
 PIEDMONT NORTH CAROLINA OFFICE
 LONNIE GRANT (REGIONAL MANAGER)
 PHONE: 336-996-8484, FAX: 336-996-0418
 EMAIL: reg30@captiveaire.com



REVISIONS

NO.	DESCRIPTION	DATE



COOK OUT(P-15')

DATE: 7/21/17

DWG.#: COOKOUT(P-2017)

DRAWN BY: LAG

SCALE: NTS

FANS

SHEET NO. 3

Order Plans

WWW.LDILine.com