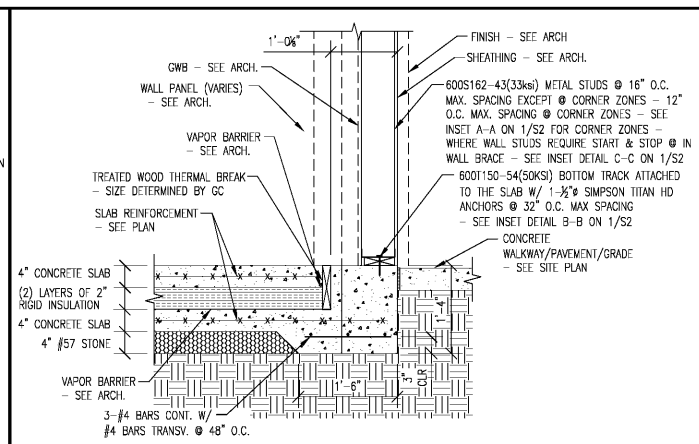
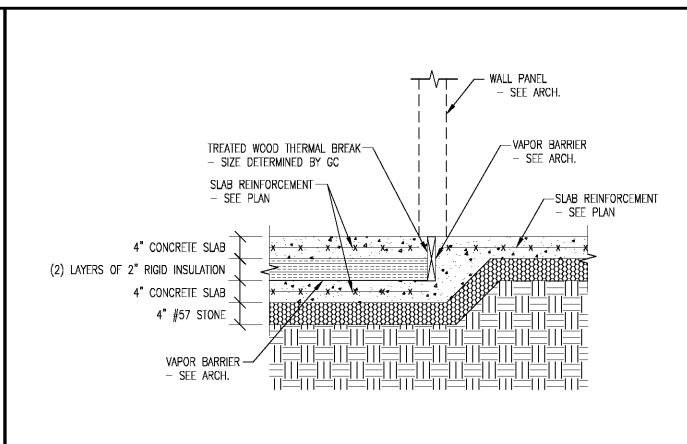


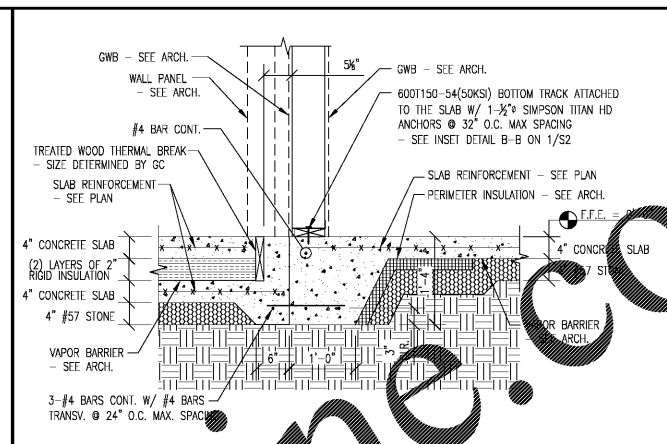
SECTION NO. 1 S6 SECTION SECTION SCALE 3/4" = 1'-0"



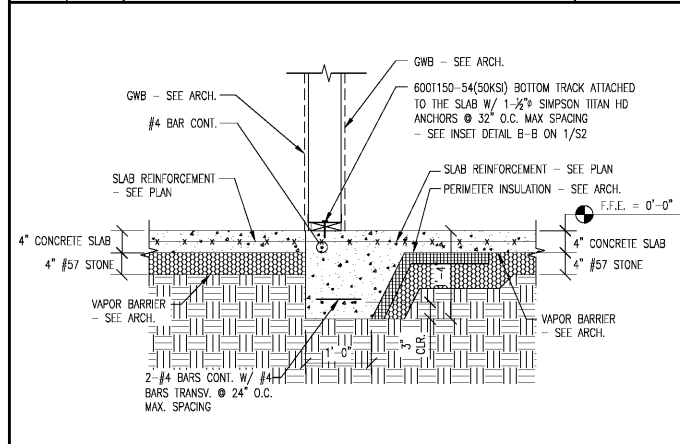
SECTION NO. 2 S6 SECTION SECTION SCALE 3/4" = 1'-0"



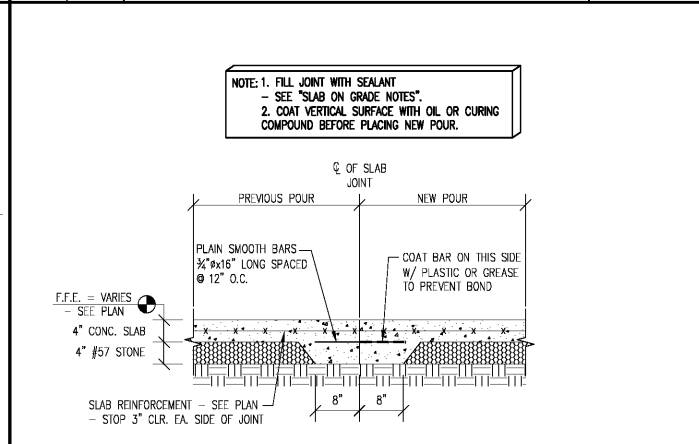
SECTION NO. 3 S6 SECTION SECTION SCALE 3/4" = 1'-0"



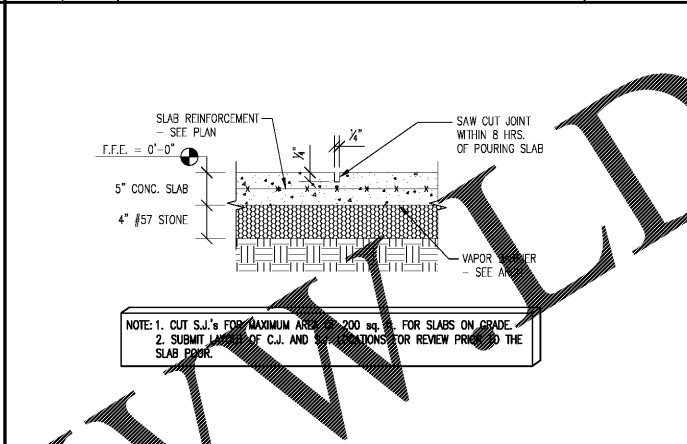
SECTION NO. 4 S6 SECTION SECTION SCALE 3/4" = 1'-0"



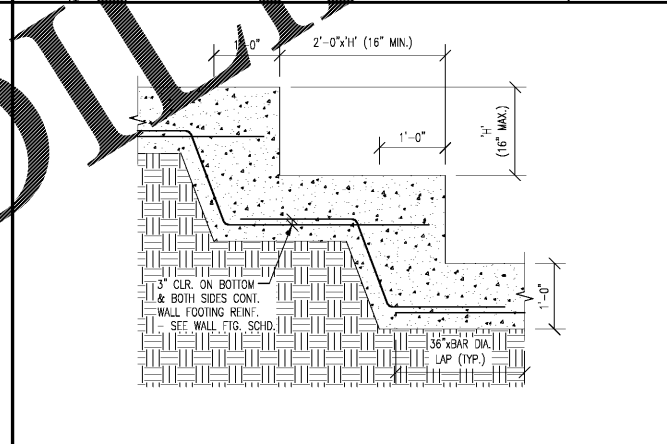
SECTION NO. 5 S6 SECTION SECTION SCALE 3/4" = 1'-0"



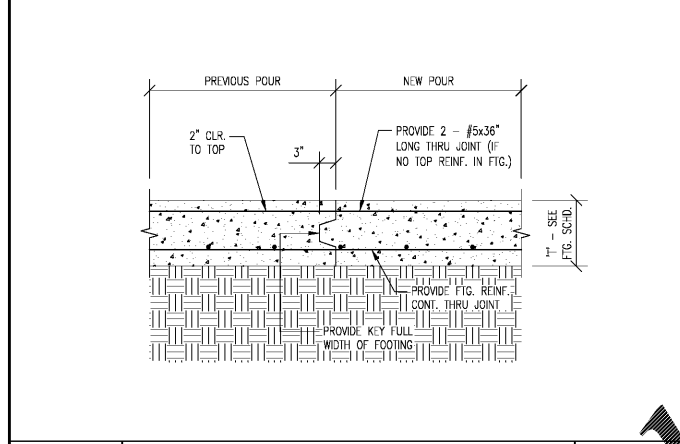
SECTION NO. 6 S6 SECTION SECTION SCALE 3/4" = 1'-0"



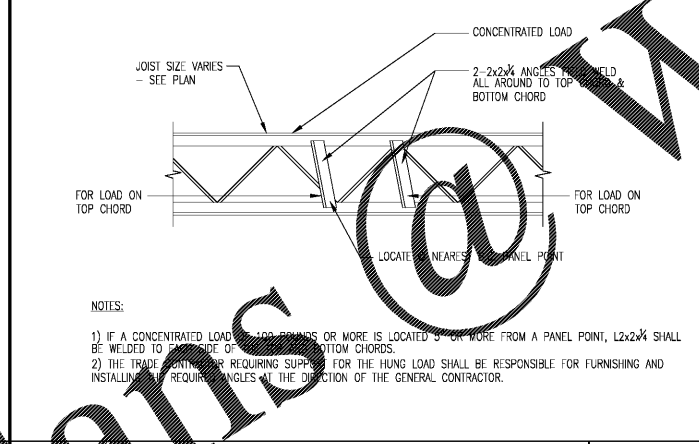
SECTION NO. 7 S6 SECTION SECTION SCALE 3/4" = 1'-0"



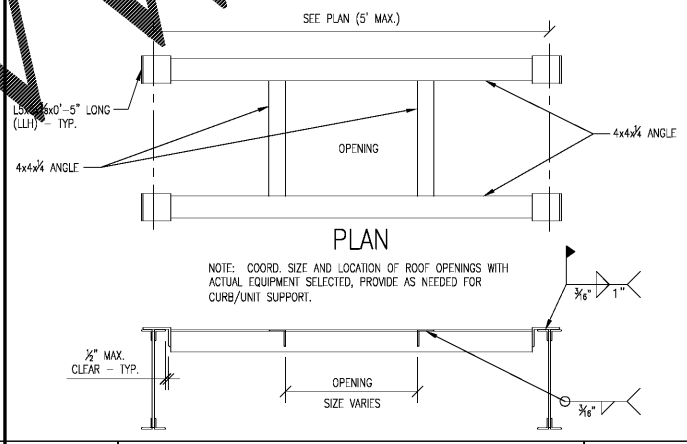
SECTION NO. 8 S6 SECTION SECTION SCALE 3/4" = 1'-0"



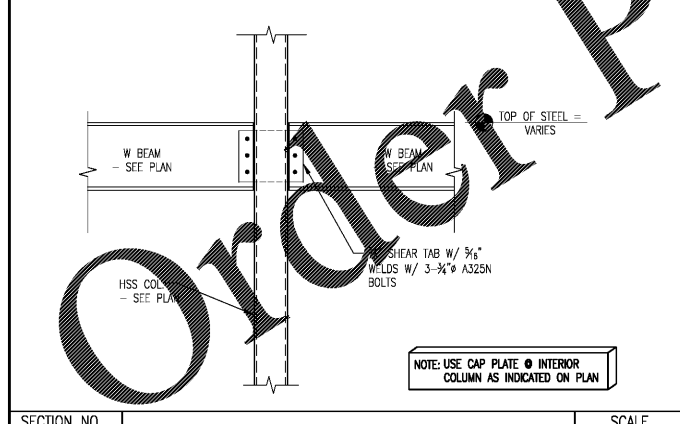
SECTION NO. 9 S6 SECTION SECTION SCALE 3/4" = 1'-0"



SECTION NO. 10 S6 SECTION SECTION SCALE 3/4" = 1'-0"



SECTION NO. 11 S6 SECTION SECTION SCALE 3/4" = 1'-0"



SECTION NO. 12 S6 SECTION SECTION SCALE 3/4" = 1'-0"

INDISEY ARCHITECTURE  
16 S. Elm Street, Suite 300  
Greensboro, NC 27401  
Phone: 336.617.4482  
Fax: 336.617.4434  
www.indiseyarchitecture.com

COOK OUT  
601 West 3rd St. Pembroke, NC

NO.	DATE	DESCRIPTION

DETAILS

**MEPC**  
MOOREFIELD ENGINEERING, P.C.  
Consulting Engineer  
Physical/Mailing Address:  
University Commercial Center  
7950 North Point Blvd., Suite 209  
Winston-Salem, NC 27106  
Phone: 336-593-9623  
Fax: 336-593-3912  
Web: mepc-consultants.com  
email: office@mepc-consultants.com  
MEPC NO: 173-17

DATE 01-05-2018  
DRAWN BY JKP  
CHECK BY JUM  
JOB NO. 11-03-000  
SHEET  
1-5-18  
FIRM REGISTRATION NO.: C-1323  
**S6 of S7**