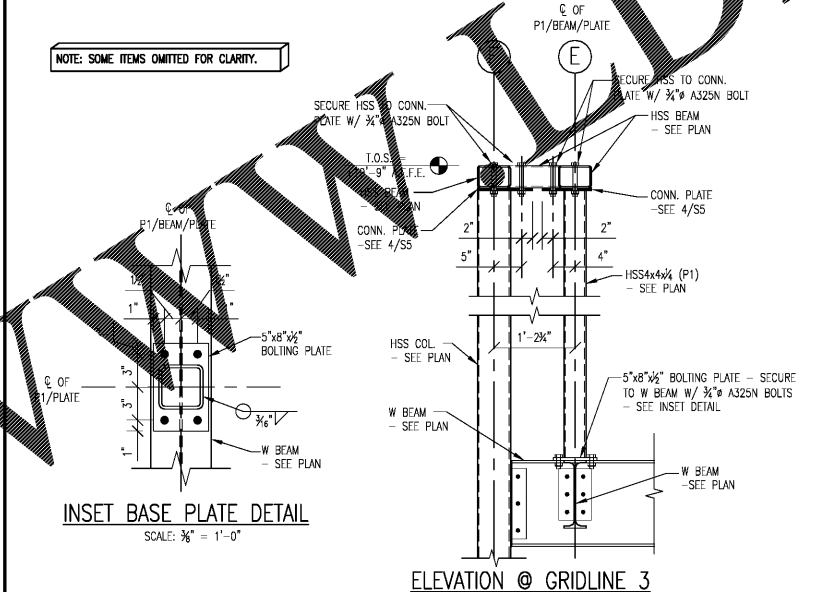
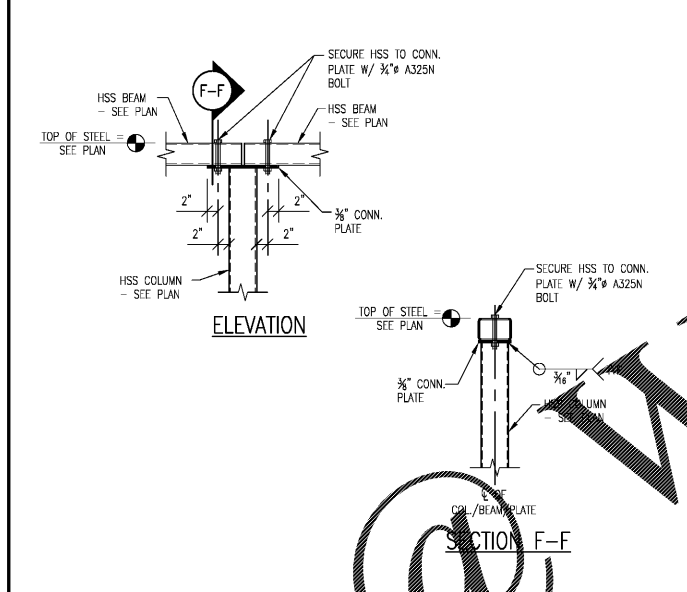
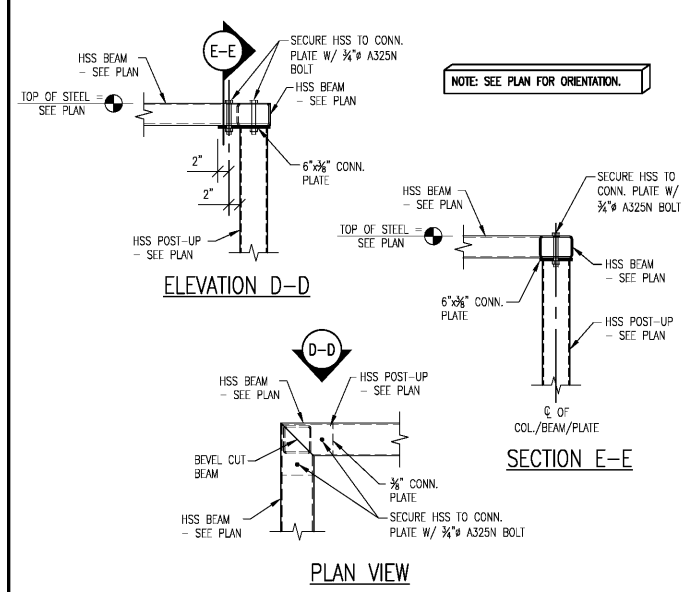


- STRUCTURAL ABBREVIATIONS**
- ⊕ = AT
 - A.B. = ANCHOR BOLTS
 - ABC = AGGREGATE BASE COURSE
 - A.E.F.F.E. = ABOVE EXISTING FINISHED FLOOR ELEVATION
 - A.F.F.E. = ABOVE FINISHED FLOOR ELEVATION
 - A.R.F.F.E. = ABOVE REFERENCE FINISHED FLOOR ELEVATION
 - ALT. = ALTERNATE
 - ARCH. = ARCHITECTURAL
 - B.F.F.E. = BELOW FINISHED FLOOR ELEVATION
 - B.M.B.M. = BY METAL BUILDING MANUFACTURE
 - B.R.F.F.E. = BELOW REFERENCE FINISHED FLOOR ELEVATION
 - BLDG. = BUILDING
 - BOT. = BOTTOM
 - B.O.W. = BOTTOM OF WALL
 - BRG. = BEARING
 - C.J. = CONSTRUCTION/CONTROL JOINT
 - CL. = CENTER LINE
 - CLR. = CLEAR
 - CMU = CONCRETE MASONRY UNIT
 - COL. = COLUMN
 - CONC. = CONCRETE
 - CONN. = CONNECTION
 - CONST. = CONSTRUCTION
 - CONSTR. = CONSTRUCTION
 - CONTE. = CONCRETE
 - COSE. = COORDINATE
 - DEPT. = DEPARTMENT
 - DIA. = DIAMETER
 - DIM. = DIMENSION
 - DWS. = DIMENSION
 - EACH = EACH
 - E.F.F.E. = EXISTING FINISHED FLOOR ELEVATION
 - E.J. = EXPANSION JOINT
 - ELEV. = ELEVATION
 - E.W. = EACH WAY
 - EXP. = EXPANSION
 - EXIST. = EXISTING
 - EXT. = EXTENSION
 - FLR. = FLOOR
 - FD. = FLOOR DRAIN
 - FND. = FOUNDATION
 - FP. = FULL PENETRATION
 - FTG. = FOOTING
 - HK. = HOOK
 - HORIZ. = HORIZONTAL
 - HSS = HOLLOW STRUCTURAL SECTION (TUBE OR PIPE)
 - INT. = INTERIOR
 - JT. = JOINT
 - K = KIP (1000 lbs)
 - LLH = LONG LEG HORIZONTAL
 - LLV = LONG LEG VERTICAL
 - MANUF. = MANUFACTURER
 - M.S. = MASONRY
 - MAX. = MAXIMUM
 - MECH. = MECHANICAL
 - MIN. = MINIMUM
 - NOM. = NOMINAL
 - O.C. = ON CENTER SPACING
 - OPNG. = OPENING
 - PC. = PRECAST
 - PL. = PLATE
 - REINF. = REINFORCEMENT
 - REQD. = REQUIRED
 - SC. = SLIP CRITICAL
 - SCHD. = SCHEDULE
 - SECT. = SECTION
 - T&B = TOP AND BOTTOM
 - T.O.F. = TOP OF FOOTING
 - T.O.P. = TOP OF PIER
 - T.O.S. = TOP OF STEEL
 - T.O.W. = TOP OF WALL
 - TYP. = TYPICAL
 - U.N.C. = UNLESS NOTED OTHERWISE
 - VERT. = VERTICAL
 - W = WIDE FLANGE MEMBER
 - W/ = WITH
 - WWF = WELDED WIRE FABRIC
 - * = COORD. WITH SITE PLAN

SECTION NO.	SECTION	SCALE
1	S5	3/4" = 1'-0"

SECTION NO.	SECTION	SCALE
2	S5	3/4" = 1'-0"

SECTION NO.	DETAIL	SCALE
3	S5	1" = 1'-0"



SECTION NO.	DETAIL	SCALE
4	S5	3/4" = 1'-0"

SECTION NO.	DETAIL	SCALE
5	S5	3/4" = 1'-0"

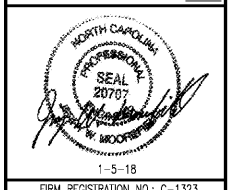
SECTION NO.	DETAIL	SCALE
6	S5	3/4" = 1'-0"

Order Plans

MEPC

MOOREFIELD
ENGINEERING, P.C.
Consulting Engineer

Physical/Mailing Address:
University Commercial Center
7950 North Point Blvd., Suite 209
Winston-Salem, NC 27106
Phone: 336-593-9623
Fax: 336-593-3912
Web: mepc-consultants.com
email: office@mepc-consultants.com



DATE: 01-03-2018
DRAWN BY: JKP
CHECK BY: JUM
JOB NO.: 11-03-000
SHEET:

1-5-18
FIRM REGISTRATION NO.: C-1323

S5 of S7

COOK OUT
 601 West 3rd St. Pembroke, NC

NO.	DATE	DESCRIPTION

SECTIONS

MEPC NO: 173-17