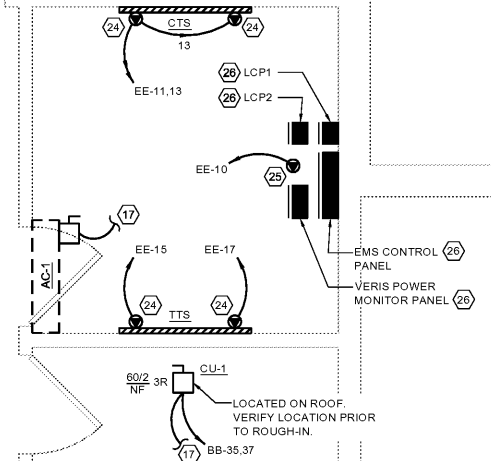
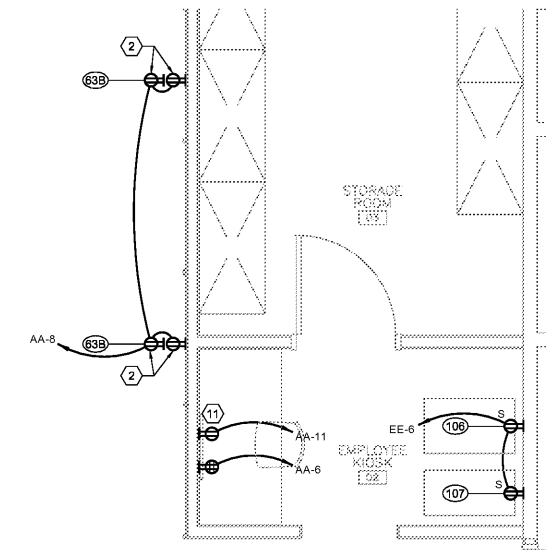


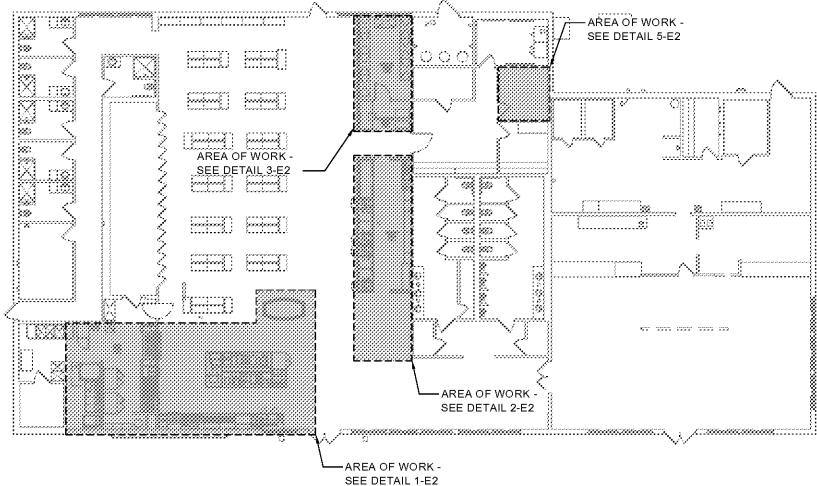
NOTE TO CONTRACTOR:  
VERIFY EXACT LOCATION OF TELECOM DEMARC  
AND NOTIFY PILOT FOR DETERMINATION OF  
APPROPRIATE CTS ROOM.



5 CTS ROOM - POWER  
SCALE: 3/8" = 1'-0"



3 EMPLOYEE KIOSK/STORAGE - POWER  
SCALE: 3/8" = 1'-0"



4 FLOOR PLAN - KEY  
SCALE: NTS

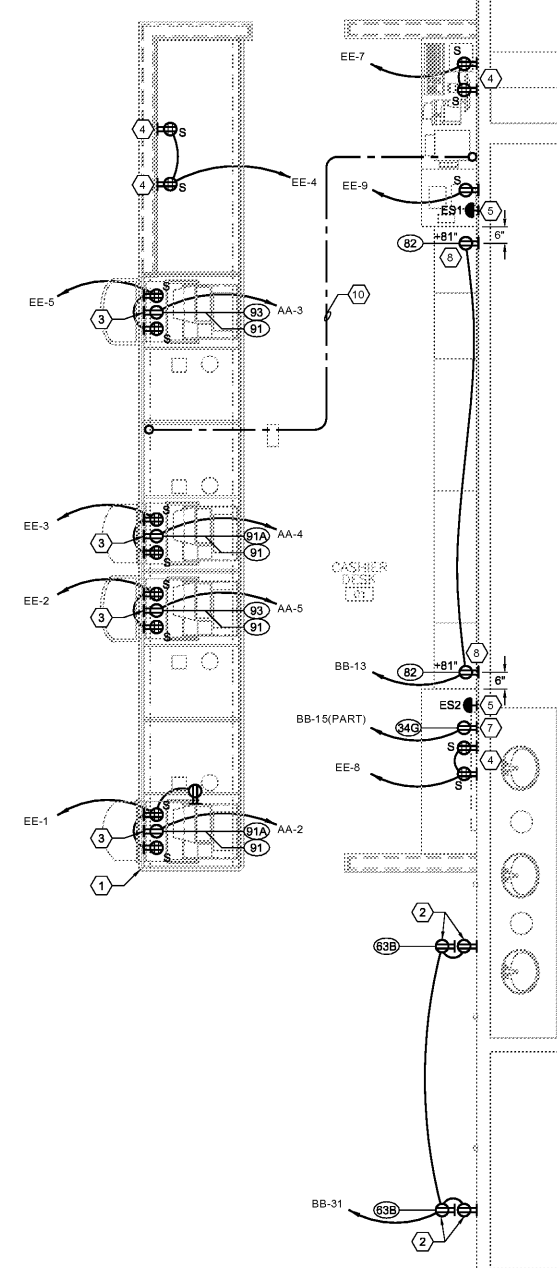
EQUIPMENT TAG - REFER TO ELECTRICAL  
EQUIPMENT SCHEDULE SHEET E5 FOR ALL  
ELECTRICAL EQUIPMENT REQUIREMENTS  
INCLUDING MOUNTING HEIGHT, NEMA PLUG  
CONFIGURATION AND BREAKER REQUIREMENTS -  
(TYPICAL FOR ALL EQUIPMENT WITH TAGS). SEE  
GENERAL NOTE #2 AND #8 ON SHEET E0.

GENERAL ELECTRICAL NOTES

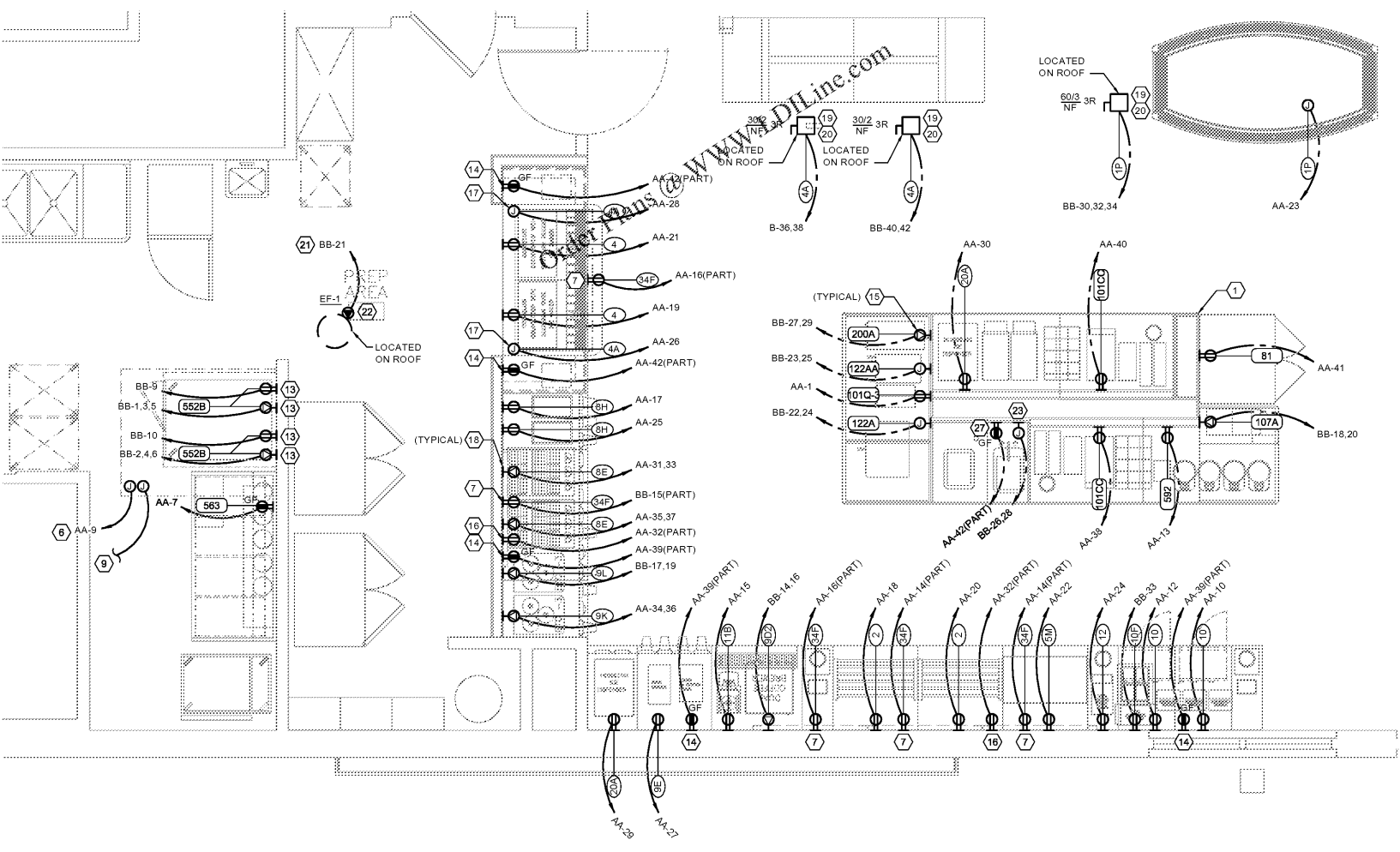
- DURING UNDER SLAB ROUGH-IN, PLAN FOR OUTLETS THAT MUST BE FED WITH CONDUIT FROM UNDER SLAB (FOR EXAMPLE, OUTLETS IN FREE-STANDING CASES, OR OUTLETS BELOW WINDOWS THAT CANNOT BE FED WITH HORIZONTAL CONDUIT IN WALL DUE TO STEEL COLUMNS ON BOTH SIDES OF WINDOW).
- PROVIDE SEAL FITTINGS WITH SEALING COMPOUND AT CONDUIT ENTRIES TO WALK-IN COOLERS AND FREEZERS.
- FOR OUTLETS OR CONNECTIONS WITH EQUIPMENT TAGS, COORDINATE MOUNTING HEIGHTS AND LOCATIONS WITH INSTALLATION OF EQUIPMENT.
- ALL EQUIPMENT LOCATED UNDER THE KITCHEN HOOD SHALL UTILIZE SHUNT TRIP TYPE BREAKER PER NFPA 96.10.1 AND IBC 904.11.2.

KEYED NOTES

- COORDINATE CONDUIT STUB-UPS WITH CASEWORK CONSTRUCTION.
- MOUNT HORIZONTALLY IN SLATWALL SYSTEM. SEE EQUIPMENT SCHEDULE ON SHEET E5 FOR RECEPTACLE HEIGHTS. COORDINATE EXACT LOCATION ALONG WALL WITH OWNER.
- RECEPTACLE FOR FLOOR MOUNTED MERCHANDISER SHALL BE MOUNTED INSIDE OF CABINET. CORD SHALL BE ROUTED THROUGH OPENING IN TOE-KICK.
- MOUNT RECEPTACLES IN CABINET 18" AFF.
- RELOCATE EXISTING E-STOP. CONTRACTOR SHALL MOUNT E-STOP 6" FROM EDGE OF CABINET. MOUNT 48" AFF TO THE TOP OF BOX.
- PROVIDE 120V CONNECTION FOR HOOD LIGHTING AND CONTROLS.
- MOUNT AT 92" AFF TO BOTTOM OF RECEPTACLE.
- RECEPTACLES FOR THE CIGARETTE CASE. MOUNT AT 81" AFF AND 6" FROM CABINET OUTER EDGE. COORDINATE WITH CASEWORK CONTRACTOR/INSTALLER.
- CONTRACTOR SHALL CONNECT EXHAUST FAN ON ROOF WITH ANSUL SYSTEM CONTROL LOCATED AT INTERIOR HOOD. COORDINATE EXACT LOCATION IN FIELD PRIOR TO ROUGH-IN.
- PROVIDE 1" SPARE CONDUIT WITH 200LB. PULL-STRING ROUTED UNDER FLOOR TO NEAREST WALL CAVITY. TRANSITION IN WALL CAVITY TO ABOVE LAY-IN CEILING AND CONTINUE TO ACCESSIBLE LOCATION IN ELECTRICAL ROOM.
- RECEPTACLE FOR ZETA DRIVER. COORDINATE LOCATION WITH OWNER.
- NOT USED.
- CONNECT SHUNT TRIP UNIT TO NEW KITCHEN EXHAUST HOOD ANSUL SUPPRESSION SYSTEM.
- RECEPTACLE SHALL BE MOUNTED HORIZONTALLY AT 48" AFF TO CENTER OF BOX.
- PROVIDE NEMA CONFIGURATION RECEPTACLE AND MATCHING CORD FOR EQUIPMENT SERVED. COORDINATE CORD LENGTH IN FIELD. SEE ELECTRICAL EQUIPMENT SCHEDULE ON SHEETS E5.2 AND E5.3 FOR MORE INFORMATION.
- RECEPTACLE SHALL BE MOUNTED HORIZONTALLY AT 112" AFF TO CENTER OF BOX. RECEPTACLE FOR LED LIGHT STRIP.
- PROVIDE CONTROL WIRING FROM INDOOR UNIT TO CONDENSING UNIT PER MANUFACTURER'S INSTRUCTIONS.
- COORDINATE LOCATION WITH EQUIPMENT SERVED (TYPICAL FOR RECEPTACLES WITH EQUIPMENT TAGS).
- CONNECT TO REMOTE CONDENSING UNIT.
- CONNECT TO INDOOR COMPRESSOR UNIT PER MANUFACTURER'S INSTRUCTIONS.
- CONNECT THROUGH KITCHEN HOOD CONTROL PANEL. SEE CAPTIVE AIR DRAWINGS FOR CONNECTION DETAILS.
- CONNECT TO EXHAUST FAN FOR HOOD.
- PROVIDE CONNECTION TO TANKLESS WATER HEATER. COORDINATE MOUNTING HEIGHT/LOCATION WITH PLUMBER.
- CONNECT TO 6'-0" LONG MULTI-OUTLET STRIP. MOUNT VERTICALLY NEAR EDGE OF PLYWOOD BACKBOARD. MULTI-OUTLET STRIP SHALL BE WIREMOLD V2400 WITH NEMA 5-20R RECEPTACLES ON 12" CENTERS.
- CONNECT TO 120V POWER SUPPLY FOR ENERGY MANAGEMENT PANEL.
- THE LIGHTING CONTROL PANELS "LCP1" & "LCP2" SHALL BE MOUNTED BY THE ELECTRICAL CONTRACTOR AND THE EMS CONTROL PANEL AND VERIS POWER MONITOR PANEL SHALL BE MOUNTED BY CONTROLS CONTRACTOR.
- RECEPTACLE SHALL BE MOUNTED HORIZONTALLY AT 42" AFF TO CENTER OF BOX.



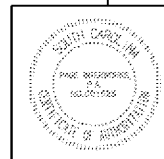
2 CASHIER DESK - POWER  
SCALE: 3/8" = 1'-0"



1 TRAVEL CENTER FLOOR PLAN - POWER  
SCALE: 3/8" = 1'-0"

TRAVEL CENTER  
FLOOR PLAN POWER  
PILOT TRAVEL CENTER  
15845 WHYTE HARDEE BLVD  
HARDEEVILLE, SC 29927

|      |          |                      |        |         |         |
|------|----------|----------------------|--------|---------|---------|
| DATE | 12-07-17 | DRAWN BY             | B.R.A. | PROJECT | 4589-01 |
| DATE | REV      | DESIGN BY            | DOT    | PAGES   | 17/25   |
|      |          | REVISION DESCRIPTION |        |         |         |



**PAGE**  
**INTERWORKS, P.A.**  
ENGINEERS & CONSULTANTS  
923 MAIN STREET, NORTH WILKESBORO, NC 28659  
PHONE: 336-647-4225 FAX: 336-667-4332