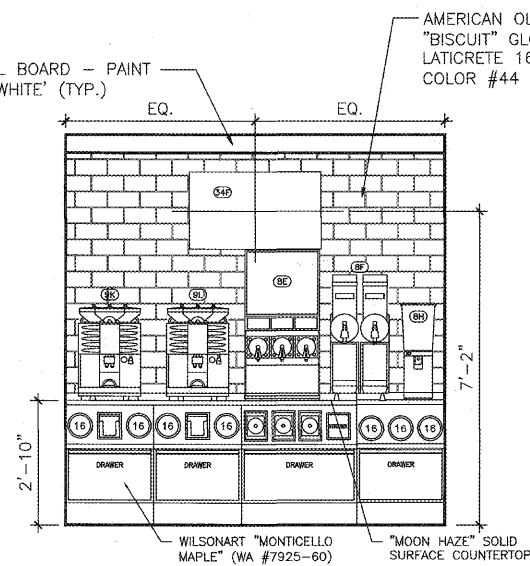
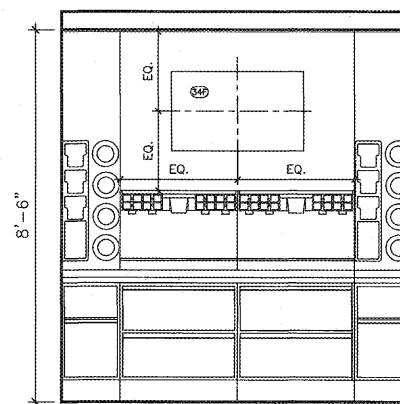


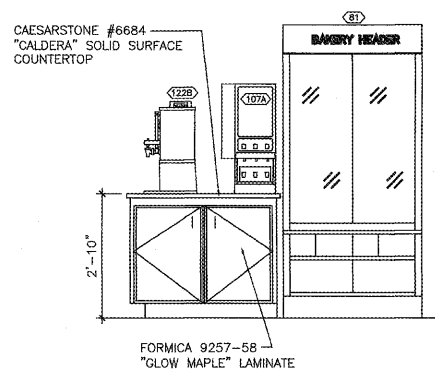
A CABINERY ELEVATION - DRINKBAR
SCALE: 1/2" = 1'-0"



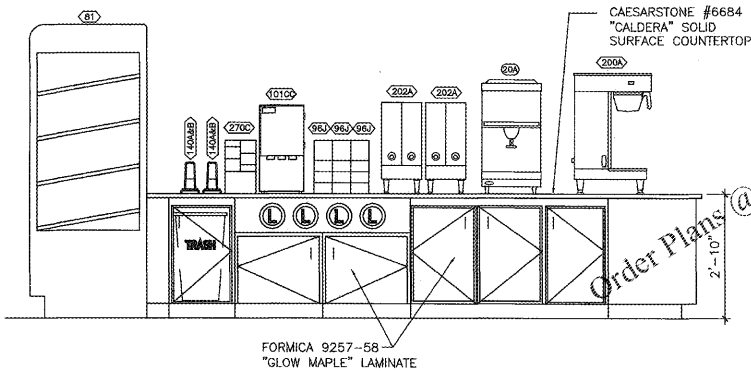
B CABINERY ELEVATION - DRINKBAR
SCALE: 1/2" = 1'-0"



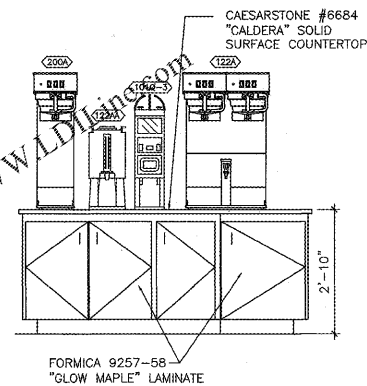
C CABINERY ELEVATION - FOUNTAIN
SCALE: 1/2" = 1'-0"



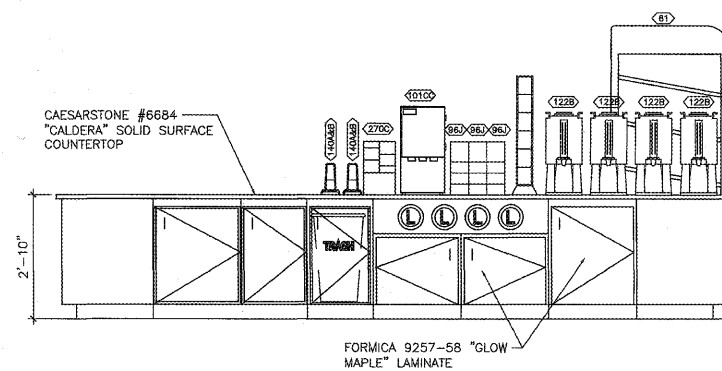
D DUNKIN' DONUTS ELEVATION - ISLAND
SCALE: 1/2" = 1'-0"



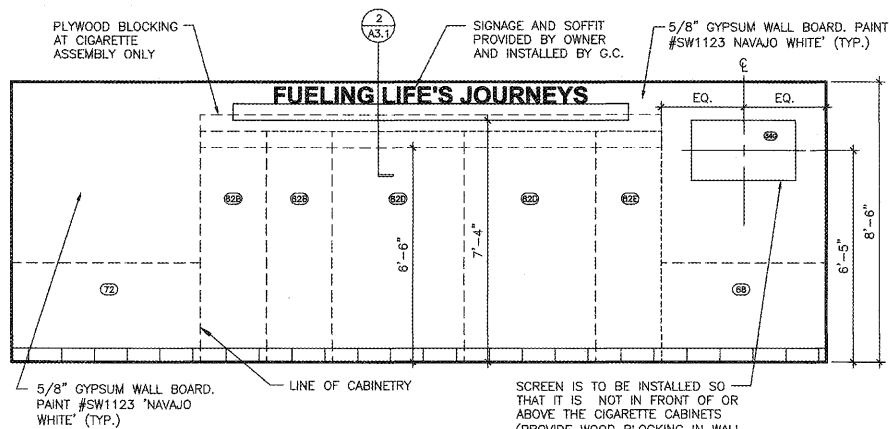
E DUNKIN' DONUTS ELEVATION - ISLAND
SCALE: 1/2" = 1'-0"



F DUNKIN' DONUTS ELEVATION - ISLAND
SCALE: 1/2" = 1'-0"



G DUNKIN' DONUTS ELEVATION - ISLAND
SCALE: 1/2" = 1'-0"



H CASHIER DESK ELEVATION
SCALE: 3/8" = 1'-0"

DRINKBAR / DELI ISLAND
ELEVATIONS
PILOT TRAVEL CENTER
15845 WHYTE HARDEE BLVD
HARDEEVILLE, SC 29927

DATE	REV	REVISION DESCRIPTION	INT.

DATE: 12-07-17 | DRAWN BY: B.R.A. | PROJECT: 4569-01
 © COPYRIGHT 2017 (UNPUBLISHED)
 SHEET: **A10**