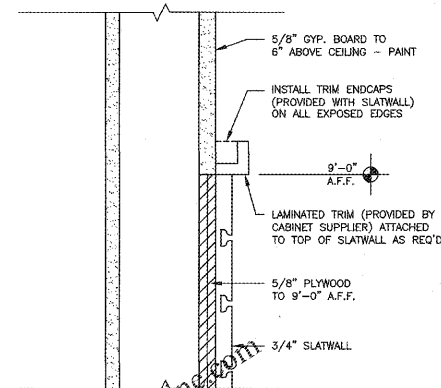
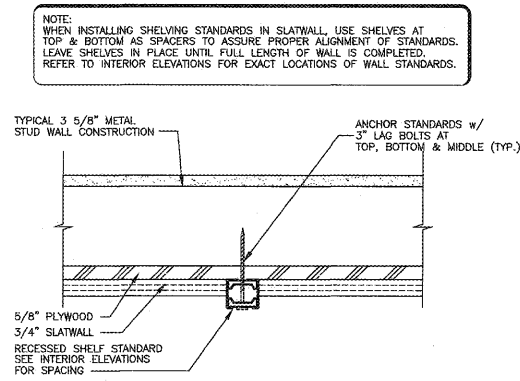


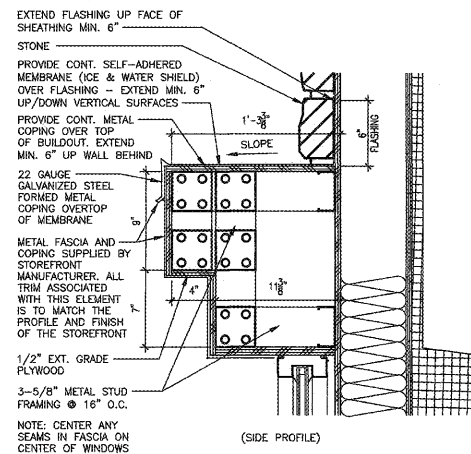
1 WAINSCOT/SLATWALL BASE TRIM DETAIL  
SCALE: 3" = 1'-0"



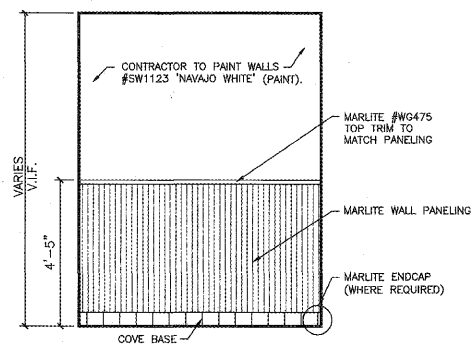
6 SLATWALL TRIM DETAIL  
SCALE: 3" = 1'-0"



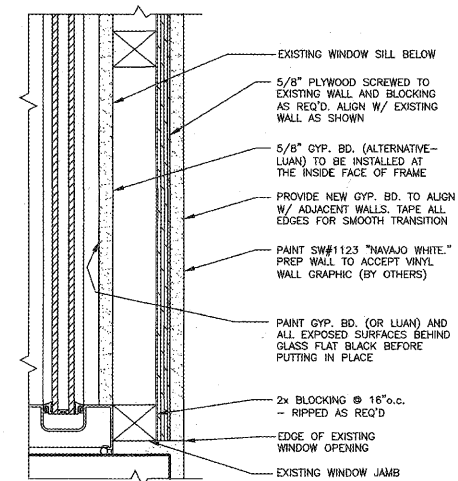
9 TYPICAL SLATWALL STANDARD DETAIL  
SCALE: 3" = 1'-0"



12 STOREFRONT FASCIA DETAIL  
SCALE: 1-1/2" = 1'-0"



A TYP. HALLWAY ELEVATION  
SCALE: 3/8" = 1'-0"



B DETAIL AT EXISTING WINDOW  
SCALE: 3" = 1'-0"

Order Plans @ [WWW.DILINC.COM](http://WWW.DILINC.COM)

MISCELLANEOUS ARCHITECTURAL DETAILS  
PILOT TRAVEL CENTER  
15845 WHYTE HARDEE BLVD  
HARDEEVILLE, SC 29927

DATE	REV.	REVISION DESCRIPTION	INT.
DATE 12-07-17			

© COPYRIGHT 2017 (UNPUBLISHED) PILOT TRAVEL CENTER  
NO USE OR REPRODUCTION OF THIS DRAWING IS PERMITTED, EXCEPT AS EXPRESSLY AUTHORIZED BY PILOT TRAVEL CENTER

SHEET  
A8