

PLUMBING FIXTURE SCHEDULE							
MARK	DESCRIPTION	MFG./MODEL No.	SS	V	CW	HW	REMARKS
WC-1	WATER CLOSET - HDCCP, 16.5" FLR. MNTD., TANK TYPE	AMERICAN STANDARD CADET FLOWSE 2487.100 ALTS: KOHLER K-3427 CRANE 3-854/3-153E	4"	2"	1/2"	-	w/BOLT CAPS, WHITE, OPEN-FRONT BENEKE SEAT, WITH COVER. 1.1 GPF
L-1	LAVATORY - WALL HUNG	AMERICAN STANDARD COMRADE 0124.024 ALTS: KOHLER K-1729 CRANE 1-165-V OR S	1-1/2"	1-1/2"	1/2"	1/2"	w/7490.172H FAUCET WITH WRIST BL. HNDLS. AND GRID DRAIN PROVIDE "TRUEBRO" #102 INSUL. KIT AT SUPPLY & DRAIN. PROVIDE WITH 0.5 GPM NON-AERATED SPRAY
U-1	URINAL - WALL HUNG FLUSH MTD - HAND LEVER	AMERICAN STANDARD COMRADE 0124.024 ALTS: KOHLER K-1729 CRANE 1-165-V OR S	2"	2"	1/2"	-	M.C. TO OFFER 2 STANDARD MODELS FOR APPROVAL
MSF-1	MOP BASIN FAUCET	T&S BRASS MODEL B-0666-RGH ALTS: ZURN Z-841K1 CHICAGO FAUCETS B91-DJ18-E1	-	-	3/4"	3/4"	MNT. AT 30" A.F.F. INCLUDES VACUUM BREAKER
WH-1	INSTANTANEOUS, GAS FIRED WATER HEATER	RINNAI C1991 REU-KBD3237FFUDC FLUSH KIT, INSTRUCTIONS, AND CONTROLLER ALTS: NORITZ NCC199	-	-	1"	1"	199,000 BTUH NAT GAS INP., 3.9 GPM @100 DEGREE RISE.
HS-1	HAND SINK	FURNISHED BY OWNER INSTALLED BY PLBG. CONTR.	1-1/2"	1-1/2"	1/2"	1/2"	FAUCET BY OWNER.
H.B.	NON FREEZE HOSE BIBB	WOODFORD MODEL 24 ALTS: MANSFIELD 44.26 NIBCO V00890T	-	-	3/4"	-	w/ VAC. BRKR.
FD-1	FLOOR DRAIN	WADE W-1103-STD 5 ALTS: JOSAM 30000-E ZURN Z-310	3"	2"	-	-	w/ SATIN BRONZE TOP, & SED. BUCKET.
FD-2	FLOOR DRAIN	WADE W-1103-STD 5-27 ALTS: JOSAM 30000-E ZURN Z-310	3"	2"	-	-	w/ SATIN BRONZE TOP, w/ TRAP PRIMER
FS-1	FLOOR SINK	WADE W-9113-15-27 ALTS: JOSAM 49000 ZURN Z-1910	3"	2"	-	-	8"x8"x6" C.I. FL. SINK w/ SED. BUCKET. AND HALF GRATE.
FS-1*	FLOOR SINK (PVC)	JONES STEPHENS CORP. MODEL S59	3"	2"	-	-	12"x12"x8" PVC FL. SINK w/ SED. BUCKET. AND HALF GRATE. USE IF ALLOWED BY JURISDICTION AND APPROVED BY OWNER.
PS-1	PREP SINK	ELKAY 14-1C16X20-0X FAUCET: T&S BRASS B-02131-OR	1-1/2"	1-1/2"	1/2"	1/2"	LEVER HNDLS. AND ROTARY WASTE VALVE w/TWIST HANDLE
C.O.	CLEANOUT	WADE 6004 NH, 1 ALTS: JOSAM 56040 ZURN Z-1400	4"	-	-	-	w/ SATIN BRONZE TOP
W.C.O.	WALL CLEANOUT	ZURN Z-1443	LINE SIZED	-	-	-	DURA-COATED CAST IRON BODY, GAS AND WATER TIGHT TAPERED THREAD PLUG, AND NICKEL BRONZE SECURED SQUARE, SMOOTH WALL ACCESS COVER AND FRAME.
MS-1	MOP SINK	ZURN Z1996-24	3"	1-1/2"	-	-	FAUCET (MSF-1) BY PLUMBER.
TD-1	TRENCH DRAIN	ZURN Z-667	3"	2"	-	-	Z-667-ES 18" EXTENSION SECTION (SEE PLAN FOR SECTIONS REQUIRED) [PVC TRENCH DRAIN IS ACCEPTABLE IF ALLOWED BY AUTHORITY HAVING JURISDICTION AND APPROVED BY OWNER.]

MATERIAL SCHEDULE NOTES

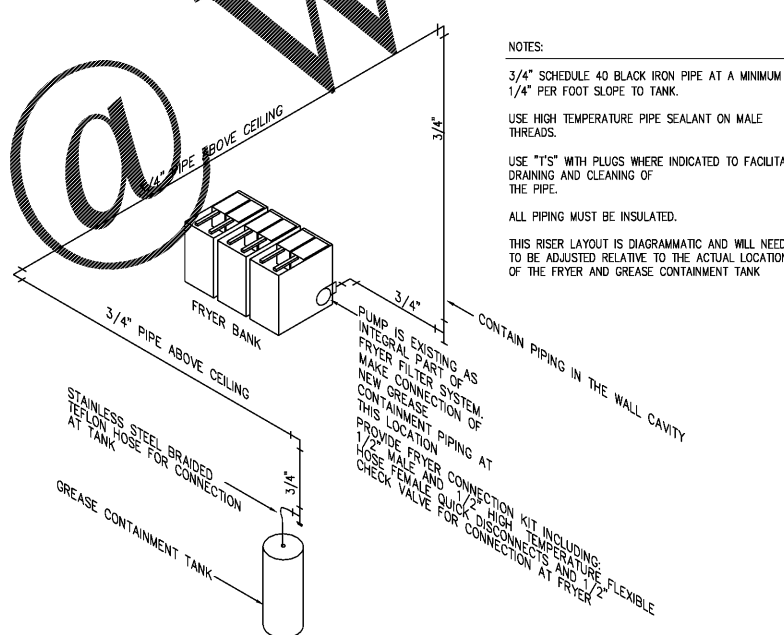
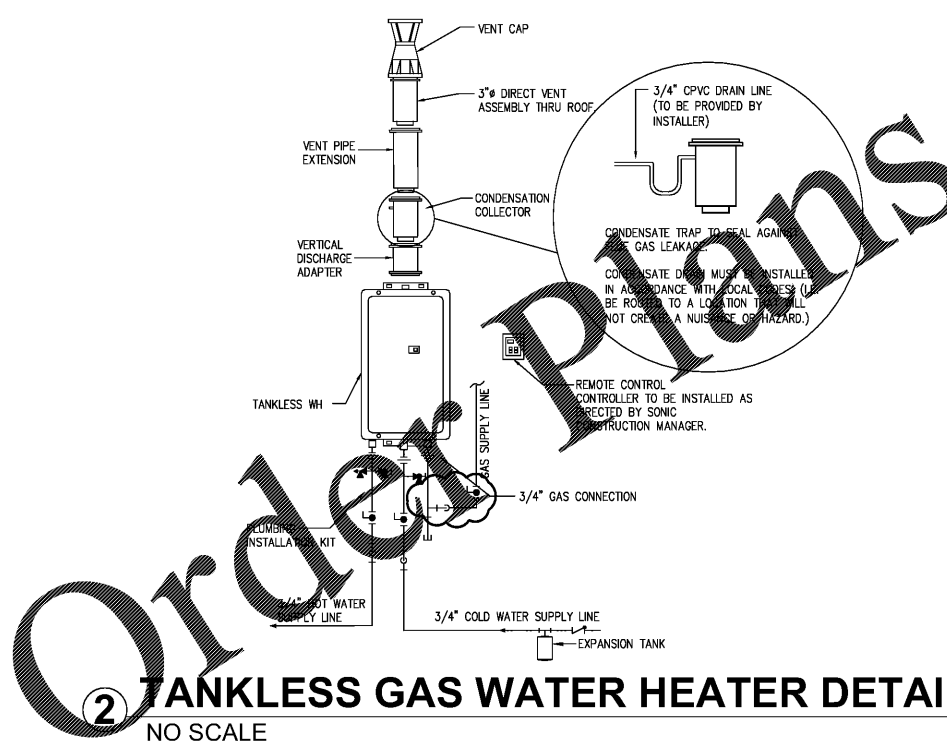
- ABOVE GROUND WATER PIPE - TYPE 'L' HARD DRAWN COPPER WITH WROUGHT COPPER FITTINGS AND "NO-LEAD" SOLDER. PEX PIPING IS ACCEPTABLE IF ALLOWED BY AUTHORITY HAVING JURISDICTION AND APPROVED BY OWNER. PEX PLASTIC PIPING CAN BE SUBSTITUTE IF ALLOWED BY LOCAL JURISDICTION.
- BELOW GROUND WATER PIPE - TYPE 'K' COPPER WITH WROUGHT COPPER FITTINGS AND "NO-LEAD" SOLDER. JOINT PERMITTED BELOW SLAB IF SILVER SOLDER IS USED IN THE JOINT. PROTECT FITTING ON COPPER PIPING FROM CONTACT WITH CONCRETE. PEX PLASTIC PIPING CAN BE SUBSTITUTE IF ALLOWED BY LOCAL JURISDICTION.
- ALL WATER PIPING SHALL BE INSULATED WITH 1" CLOSED CELL INSULATION WITH SELF CLOSING ADHESIVE STRIP HAVING AN R-VALUE OF 4.0.
- SEWER AND VENT PIPE - BELOW AND ABOVE GRADE INSIDE BUILDING SERVICE WEIGHT (HUBLESS) CAST IRON SOIL PIPE AND STAINLESS STEEL NO HUB COUPLINGS, PVC SCH. 40 DWV PIPING IS ACCEPTABLE IF ALLOWED BY AUTHORITY HAVING JURISDICTION AND APPROVED BY OWNER.
- CONDENSATE DRAIN PIPE - TYPE 'M' COPPER w/"NO-LEAD" SOLDER. INSULATE WITH 1/2" ARMAFLEX PIPE INSULATION OR EQUIVALENT.
- SUPPORT PIPING WITH CLEVIS OR SPLIT RING TYPE PIPE HANGERS 3/8" ALL THREAD ROD AND BEAM CLAMPS. "PLUMBERS TAPE AND WIRE" NOT PERMITTED.
- GAS PIPE - SCHEDULE 40 BLACK STEEL WITH MALLEABLE IRON FITTINGS.
- INDIRECT DRAIN PIPE - INDIRECT DRAIN PIPING SHALL BE COPPER. PVC PIPING IS ACCEPTABLE IF ALLOWED BY AUTHORITY HAVING JURISDICTION AND APPROVED BY OWNER.

PLUMBING KEYED NOTES

- NOT USED.
- WASTE PIPING FROM 3 COMPARTMENT SINK TO FLOOR SINK TO BE HARD COPPER WITH SWEATED JOINTS. PLUMBER TO ANCHOR DRAIN PIPE FOR 3 COMPARTMENT SINK TO WALL, WHERE POSSIBLE, w/ ALL THREAD.
- PROVIDE VAPOR SEALS AT ALL FREEZER/COOLER PENETRATIONS.
- 2" VENT LINES ROUTED BELOW GRADE.
- PLUMBING SLEEVE TO RUN ADJACENT TO FLOOR SINK. REFER TO SHEET A2.03 FOR ADDITIONAL INFORMATION
- HOLD CONDENSATE LINE TIGHT TO BACK OF FREEZER/COOLER BOX
- 3/4" COPPER CONDENSATE LINE FROM WALK-INS TO FLOOR SINK.
- 1" CD FROM RTU'S ON ROOF. DISCHARGE IN FLOOR SINK.
- CONDENSATE DRAIN LINE IN THE WALK-IN FREEZER SHALL BE HEAT TRACED TO PREVENT FREEZING. HEAT TRACE TAPE SHALL BE PROVIDED BY THE PC, AND INSTALLED BY THE ELECTRICAL CONTRACTOR.
- ROOF DRAIN SHALL BE ROUTED TO FACE OF SIDEWALK LINES. VERIFY LOCATION CONNECTION WITH CIVIL PLANS.
- ROUTE 4" ROOF DRAIN DOWN IN WALL TO SIDEWALK DRAIN - VERIFY EXACT LOCATION WITH CIVIL DRAWINGS.
- PROVIDE FLOOR DRAIN WITH TRAP PRIMER.

MECHANICAL SYMBOLS

SYMBOL	DESCRIPTION	SYMBOL	DESCRIPTION
	SANITARY WASTE BELOW GRADE		GLOBE VALVE (STRAIGHT & ANGLED)
	GREASE WASTE BELOW GRADE		AUTO. CONTROL VALVE (STRAIGHT & ANGLED)
	STORM DRAIN		UNIONS (SCREWED & FLANGED)
	PLUMBING VENT		REDUCERS (CONCENTRIC & ECCENTRIC)
	DOMESTIC COLD WATER		CLEANOUTS
	DOMESTIC HOT WATER (140deg)		ROOF DRAIN, FLOOR DRAIN, AREA DRAIN
	NATURAL GAS		WALL HYDRANT, YARD HYDRANT, HOSE BIBB
	COIL CONDENSATE DRAIN		FIRE EXTINGUISHER (WALL & RECESSED)
	SHUT-OFF VALVE		STAT. ZONE OR UNIT BY SUBSCRIPTION
	CHECK VALVE		FIRE ALARM CONNECTION
	COOK OR PLUG VALVE		PENETRATION THROUGH ROOF
	WATER LINE		OUTSIDE AIR, EXHAUST AIR
	SHEET NOTE DESIGNATION		M.C., P.C. MECHANICAL CONTRACTOR, ELECTRICAL CONTRACTOR
	EQUIP. DESIG. - SEE EQUIPMENT FOR REQ.		G.C., P.C. GENERAL CONTRACTOR, PLUMBING CONTRACTOR
	SUPPLY RETURN EXHAUST TRANSFER DOOR		FLOOR CEILING REGISTER LOW HIGH
	B.D. ABOVE FINISHED FLOOR		A.F.F. ABOVE FINISHED FLOOR

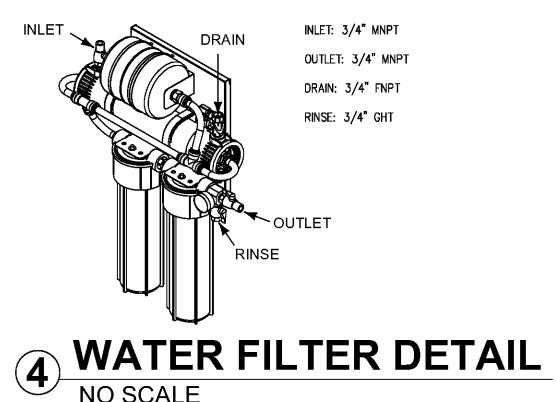


WATER PIPE SIZING TABLE

UNLESS SHOWN OTHERWISE, DOMESTIC WATER LINES SHALL RUN CONCEALED OVERHEAD AS DESIGNATED IN PLUMBING FIXTURE SCHEDULE & BE SIZED ACCORDING TO TABLE BELOW. PLANS & RISERS DO NOT NECESSARILY SHOW ALL PIPING RUNS. INSTALL A FACTORY SHOCK ABSORBER IN ACCORDANCE WITH PDI-WH201 AT TOP OF EACH FIXTURE GROUP, AT EACH WATER SUPPLY.

NUMBER OF FIXTURES**	PIPE SIZE (IPS)
2 OR LESS	1/2"
3 TO 6	3/4"
7 TO 15	1"
16 TO 28	1-1/4"
29 TO 57	1-1/2"
58 TO 138	2"

** FLUSH VALVE WATER CLOSET IS EQUIVALENT TO 10 FIXTURES & FLUSH VALVE URINAL IS EQUIVALENT TO 5 FIXTURES



STORE #6679

6808 SIEGEN LANE
BATON ROUGE, LA 70809

PROJ. NO.: 1722
DATE: 01/22/2018

SHEET TITLE:
SCHEDULES AND DETAILS
- PLUMBING

DRAWING SHEET IS FULL SIZE AT 22" x 34"
REDUCED 11" x 17" SHEET IS HALF SIZE

SHEET NO.: