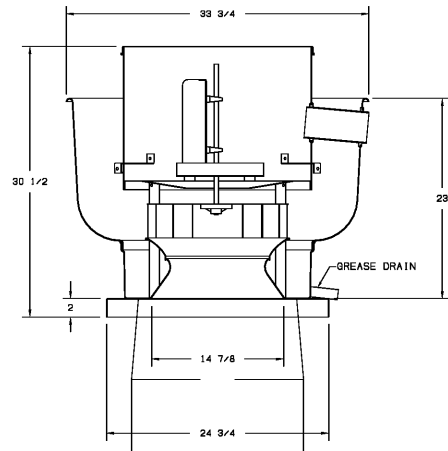


FAN #1 SVNCA14HPFA - EXHAUST FAN (FRYERS)



FEATURES:

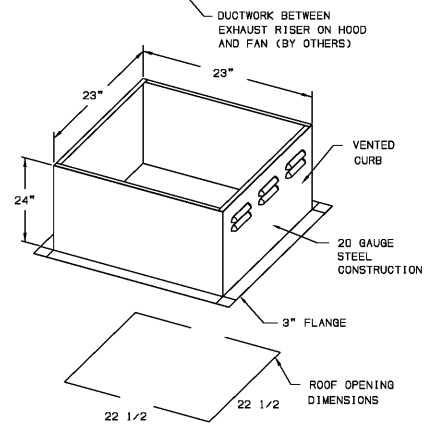
- ROOF MOUNTED FANS
- RESTAURANT MODEL
- UL705 AND UL782
- AMCA SOUND AND AIR CERTIFIED
- WIRING FROM MOTOR TO DISCONNECT SWITCH
- WEATHERPROOF DISCONNECT
- HIGH HEAT OPERATION 300°F (149°C)
- GREASE CLASSIFICATION TESTING

NORMAL TEMPERATURE TEST
EXHAUST FAN MUST OPERATE CONTINUOUSLY WHILE EXHAUSTING AIR AT 300°F (149°C) UNTIL ALL FAN PARTS HAVE REACHED THERMAL EQUILIBRIUM, AND WITHOUT ANY DETERIORATING EFFECTS TO THE FAN WHICH WOULD CAUSE UNSAFE OPERATION.

ABNORMAL FLARE-UP TEST
EXHAUST FAN MUST OPERATE CONTINUOUSLY WHILE EXHAUSTING BURNING GREASE VAPORS AT 600°F (316°C) FOR A PERIOD OF 15 MINUTES WITHOUT THE FAN BECOMING DAMAGED TO ANY EXTENT THAT COULD CAUSE AN UNSAFE CONDITION.

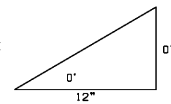
OPTIONS

- GREASE BOX
- HINGES ON ROOF CURB

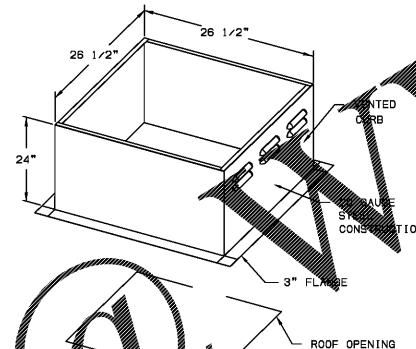
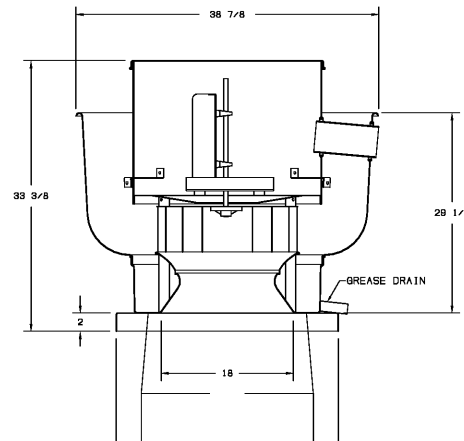


PITCHED CURBS ARE AVAILABLE FOR PITCHED ROOFS.

SPECIFY PITCH:
EXAMPLE: 7/12 PITCH = 30° SLOPE

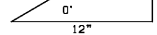


FAN #2 SVNCA18FA - EXHAUST FAN (GRILL)



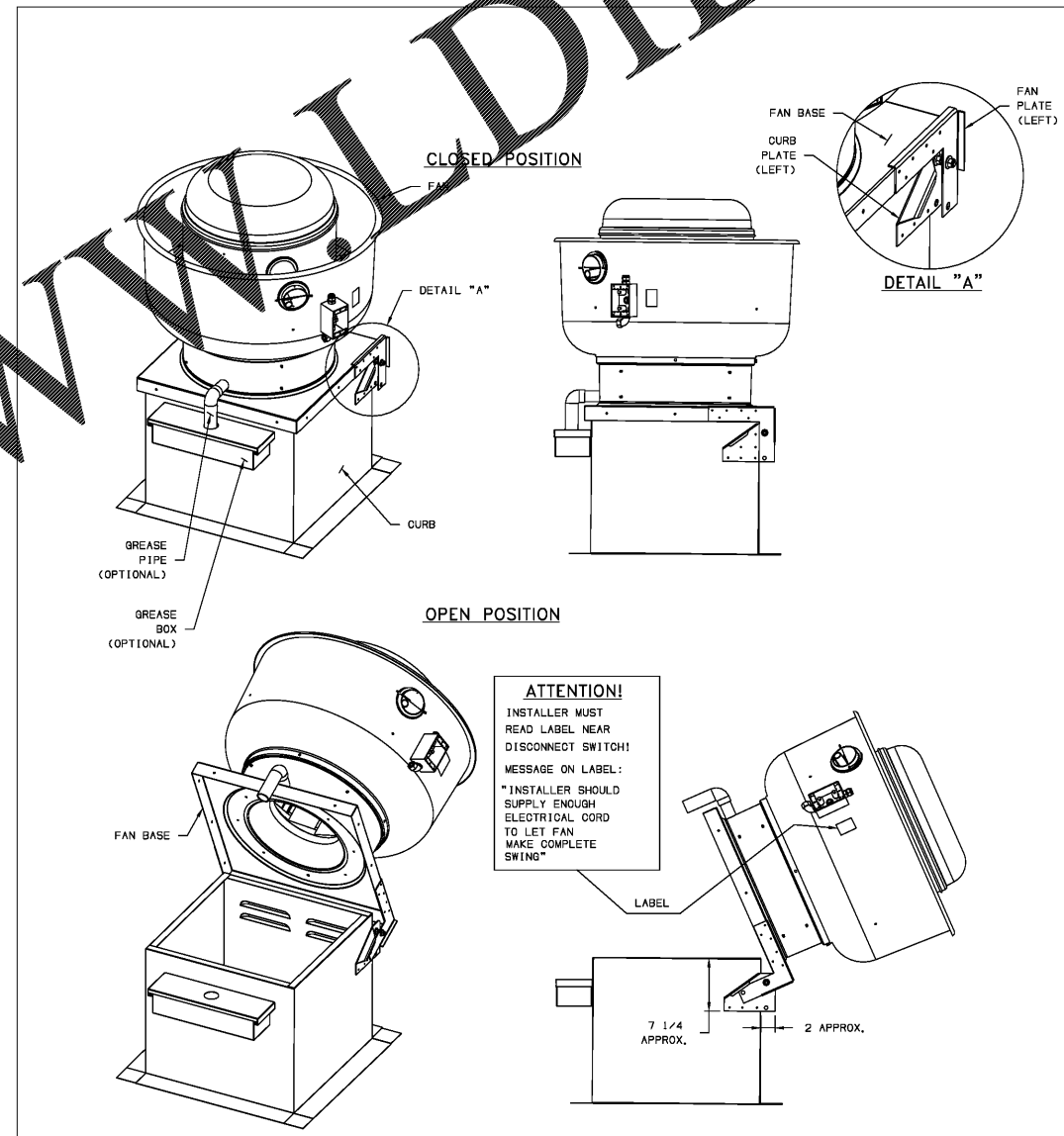
PITCHED CURBS ARE AVAILABLE FOR PITCHED ROOFS.

SPECIFY PITCH:
EXAMPLE: 7/12 PITCH = 30° SLOPE



EXHAUST FAN INFORMATION - WWW.STRATOVENT.COM Job#3227568

FAN UNIT NO.	TAG	FAN UNIT MODEL #	CFM	ESP.	RPM	H. P.	B. H. P.	φ	VOLT	FLA	DISCHARGE VELOCITY	WEIGHT (LBS)	SONES
1	FRYERS	STRATOVENT #SVNCA14HPFA	1400	1,200	1613	1.000	0.7860	1	208	4.9	443 FPM	35	14.9
2	GRILL	STRATOVENT #SVNCA18FA	2480	1,200	946	1.500	1.0900	1	208	7.5	603 FPM	45	17.3



STORE #6679

6808 SIEGEN LANE
BATON ROUGE, LA 70809

PROJ. NO.: 1722
DATE: 01/22/2018

SHEET TITLE:
DETAILS -
MECHANICAL

DRAWING SHEET IS FULL SIZE AT 22" x 34"
REDUCED 11" x 17" SHEET IS HALF SIZE

SHEET NO.: M2.04

Order Plans