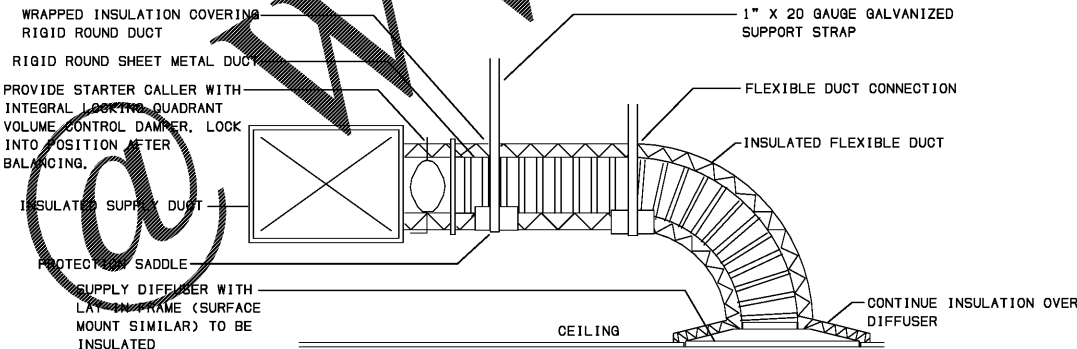
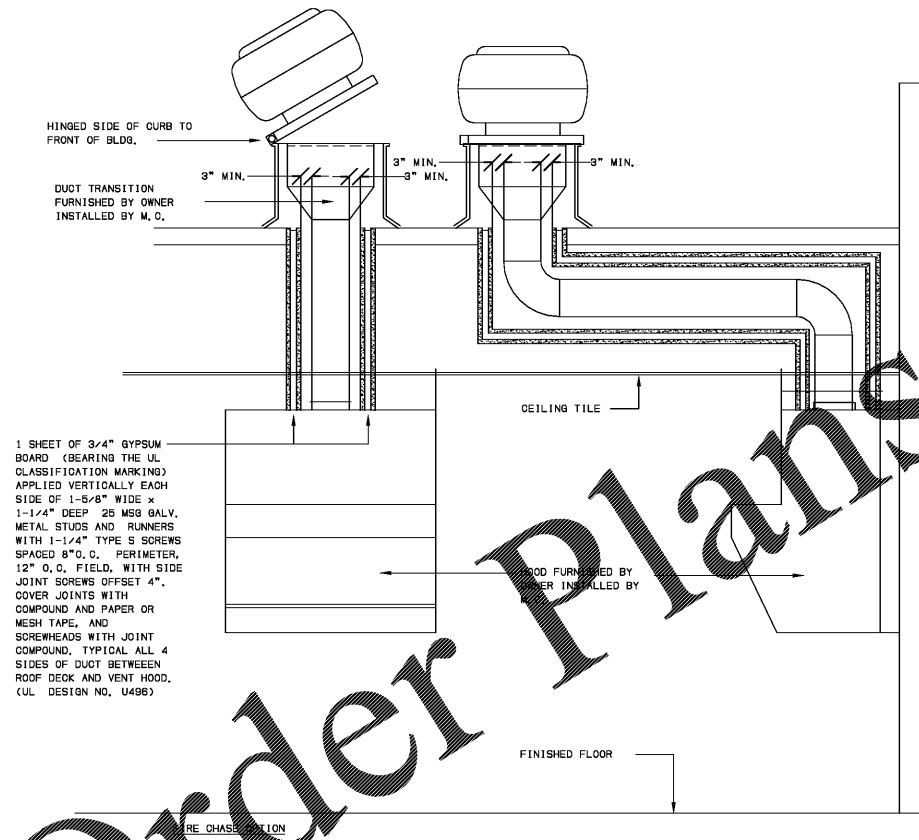
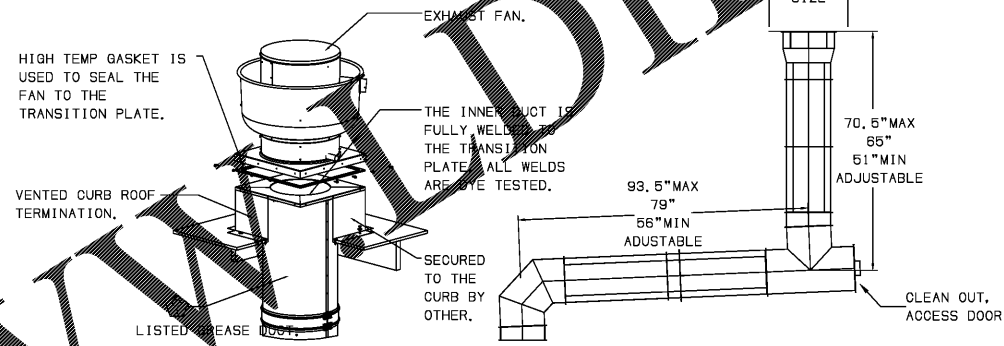


GREASE DUCT SPECIFICATIONS:
 PROVIDE GREASE DUCT EQUAL TO STRATOVENT MODEL "SDW"
 ROUND 20 GAUGE 430 STAINLESS STEEL DUCTWORK, MODEL "SDW"
 IS LISTED TO UL-1978 AND IS INSTALLED USING "V" CLAMP LOCKING
 CONNECTIONS SEALED WITH 3M FIRE BARRIER 2000 PLUS, MODEL "SDW"
 DOES NOT REQUIRE WELDING PROVIDING IT HAS BEEN INSTALLED PER
 THE MANUFACTURES INSTALLATION GUIDE.
 PROVIDE RATED ACCESS DOORS AT EVERY CHANGE IN DIRECTION AND EVERY 12' ON CENTER, PER
 MANUFACTURES LISTING MODEL "SDW" HORIZONTAL RUNS LESS THAN 75 FT. CAN BE SLOPED 1/16" PER 12".
 DUCT SHOULD BE SLOPED AS MUCH AS POSSIBLE TO REDUCE THE CHANCE OF GREASE ACCUMULATION IN
 HORIZONTAL RUNS.
 IF THE DUCT IS WITHIN 18 INCHES OF COMBUSTIBLE MATERIAL, PROVIDE FIELD INSTALLED "LISTED" FIRE
 WRAP AS NEEDED
 The SDW Series has been certified by ITS. This certification mark indicates that the product has
 been tested to and has met the minimum requirements of a widely recognized (consensus) U.S. and
 Canadian products safety standard, that the manufacturing site has been audited, and that the
 applicant has agreed to a program of periodic factory follow-up inspections to verify continued
 performance.
 ETL LISTED under file number 3114021, and complies with UL-1978 and CAN/ULC-S662.

CLEARANCE TO COMBUSTIBLES		
COMBUSTIBLES	LIMITED COMBUSTIBLES	NON COMBUSTIBLES
18"	3"	0"

ADJUSTABLE DUCT OVERLAP - MINIMUM	
DIAMETER	OVERLAP
8"	4"
10"	5"
12"	6"
14"	6"
16"	6"
18"	6"
20"	6"
24"	6"



- NOTES:
1. PROVIDE AT FLEXIBLE DUCT CONNECTION, METAL OR "PANDUIT" DRAWBAND ON THE INTERIOR FLEXIBLE DUCT HELIX. SECURE THE INSULATION OVER THE DRAW BAND WITH AN ADDITIONAL DRAWBAND.
 2. PROVIDE BEADING ON ROUND METAL DUCT 12" AND LARGER .
 3. PROVIDE MINIMUM 4" COLLARS FOR ATTACHMENT OF THE FLEXIBLE DUCT TO THE ROUND DUCT, DAMPERS AND DIFFUSERS.
 4. BAND RIGID ROUND DUCT INSULATION TO DUCT AND PROVIDE TAPE FOR INSULATION OVERLAP.

1 DIFFUSER CONNECTION DETAIL
 NOT TO SCALE

GREASE EXHAUST DUCT VELOCITIES

14x8 MAIN DUCT UP TO KEF-1:
 14x8 / 144 = 0.7778 S.F.
 1200 CFM / 0.7778 S.F. = 1543 FT/M
 1500 FT/M REQUIRED BY NFPA 96.

16x14 MAIN DUCT UP TO KEF-2:
 16x14 / 144 = 1.5556 S.F.
 2480 CFM / 1.5556 S.F. = 1594 FT/M
 1500 FT/M REQUIRED BY NFPA 96.

KITCHEN AREA BALANCING SCHEDULE	
KITCHEN HOOD EXHAUST	(3680)
OUTSIDE AIR	500
MAKE-UP AIR	2500
TRANSFER AIR	500
TOTAL	(180)

2 KITCHEN CALCULATIONS
 NOT TO SCALE



STORE #6679
 6808 SIEGEN LANE
 BATON ROUGE, LA 70809

PROJ. NO.: 1722
 DATE: 01/22/2018

SHEET TITLE:
 DETAILS -
 MECHANICAL

DRAWING SHEET IS FULL SIZE AT 22" x 34"
 REDUCED 11" x 17" SHEET IS HALF SIZE

SHEET NO.: M2.01

Order Plans