

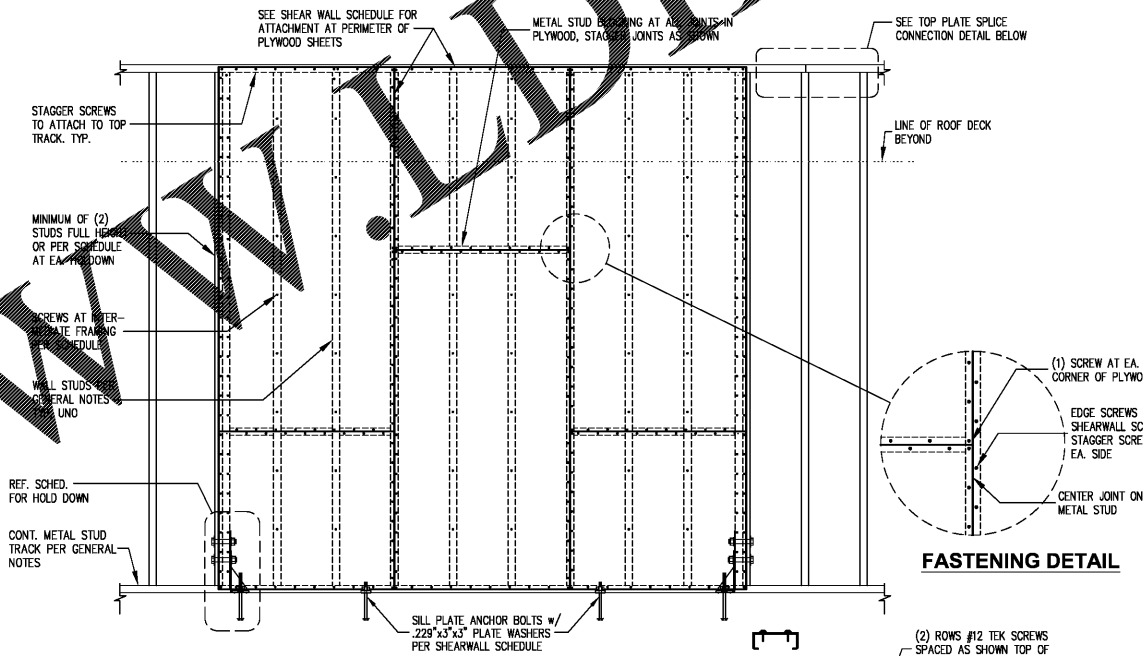
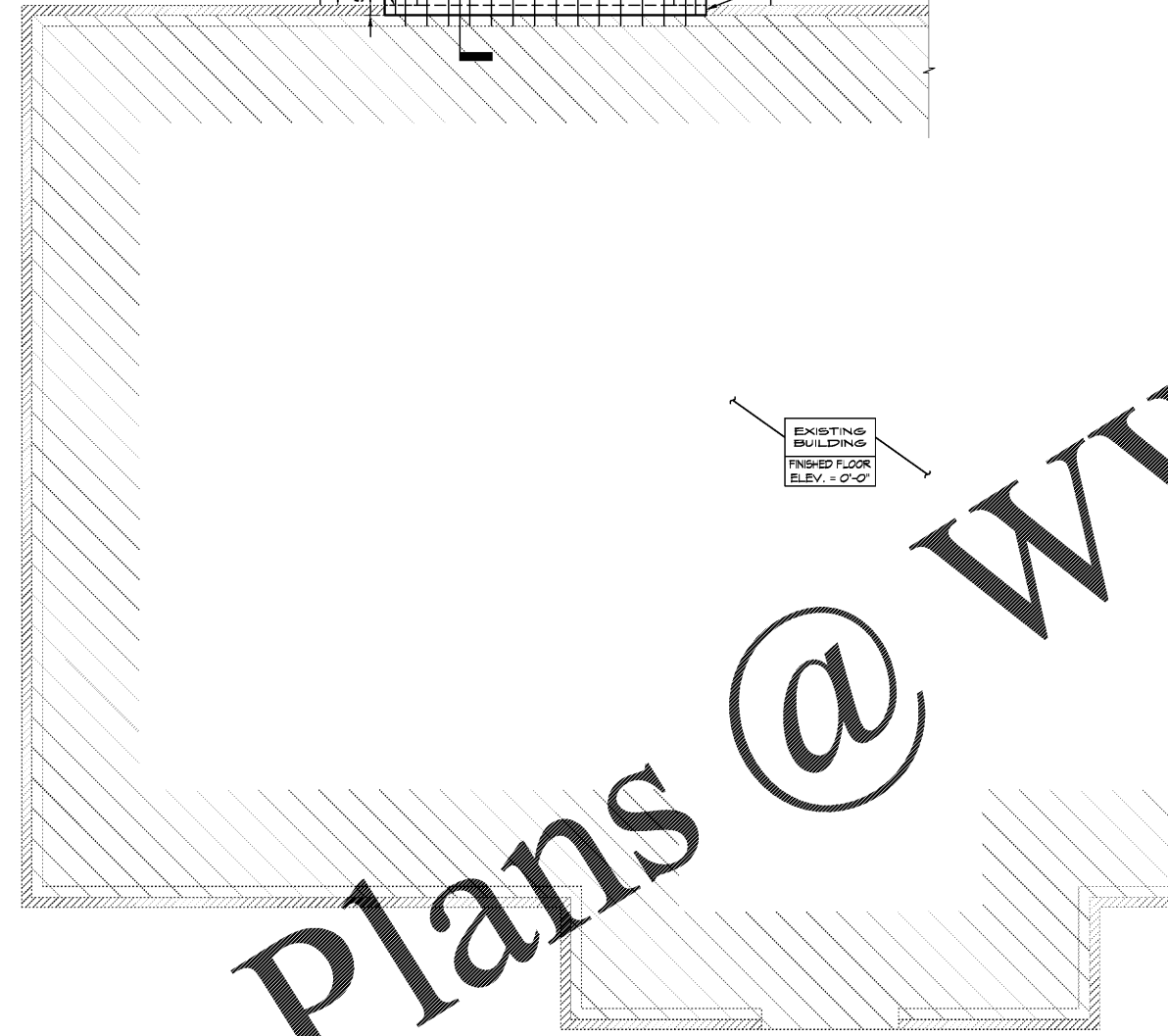
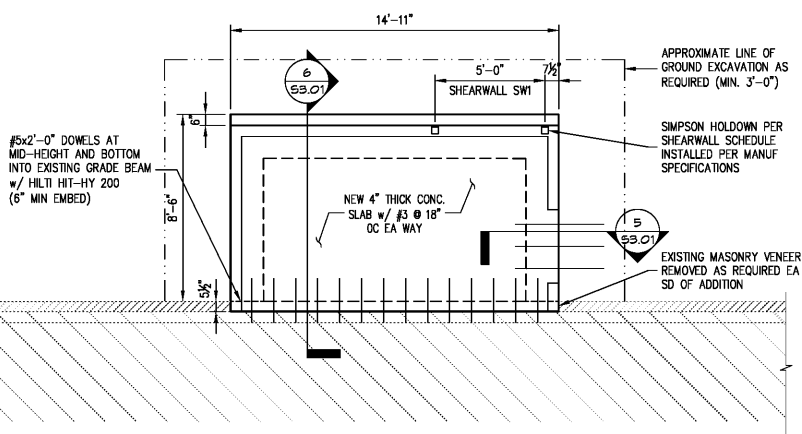
LIGHT FRAMED WALL SHEARWALL SCHEDULE													
MARK	PANEL GRADE	THICKNESS (in) MIN. NOMINAL PANEL	FASTENER			END POSTS	HOLD-DOWNS AT THE ENDS			NOTES			
			SIZE	PANEL EDGES	SPACING INTERMEDIATE FRAMING		BOTTOM TRACK ANCHOR BOLTS	TYPE	ANCHOR BOLT		MIN. ANCHOR BOLT VALUES (inches)		
										EMBED	EDGE DISTANCE	END DISTANCE	
SW1	C-C, C-D APA RATED SHEATHING EXTERIOR FACE OF WALL	15/32	#10	6	12	600T150-43 5/8" DIA. x 10" J-BOLT Ø 24" O.C.	REF DTL A BELOW	SIMPSON S/HOLD4 OR EQUIVALENT	5/8" F1554 GR 36 HEX HEADED ANCHOR BOLT	18	6	7 1/2	4

SHEARWALL SCHEDULE NOTES

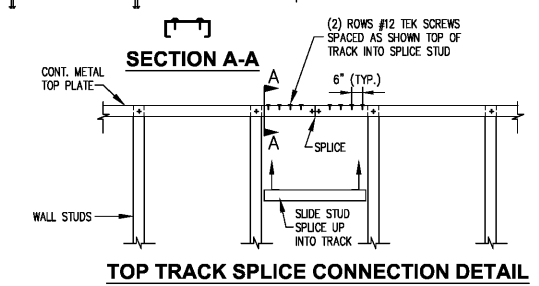
- REFER TO 2/S2.01 FOR TYPICAL SHEARWALL ELEVATION.
- BRACED SHEARWALLS SHALL BE INSTALLED IN PER MANUFACTURER'S SPECIFICATIONS.
- ALL METAL STUD ATTACHMENTS SHALL BE INSTALLED WITH #10 TEK SCREWS TYPICAL UNLESS NOTED OTHERWISE.
- WHERE METAL STUD TRACK ANCHOR BOLTS ARE MISSING OR MIS-LOCATED, USE HILTI HIT-HY 200 WITH 5 INCHES MIN. EMBEDMENT WITH THREADED ROD OF THE SAME SIZE AND SPACING AS INDICATED.
- IN ADDITION TO THE ON CENTER SPACING OF ANCHOR BOLTS, THERE SHALL BE AT LEAST (2) ANCHOR BOLTS PER PIECE OF STUD TRACK WITH A MINIMUM OF (1) ANCHOR BOLT LOCATED NOT GREATER THAN 9 INCHES, AND LESS THAN 4-1/2 INCHES OF EACH PIECE END.
- MINIMUM CONCRETE SIDE EDGE DISTANCE FOR CONTINUOUS STUD TRACK IS 2 INCHES AND MINIMUM CONCRETE END EDGE DISTANCE, UNO.
- BOOT ATTACHMENT SHALL BE INSTALLED PER MANUFACTURER'S INSTALLATION REQUIREMENTS.
- HOLES ARE NOT ALLOWED IN SHEARWALLS, UNLESS APPROVED BY THE STRUCTURAL ENGINEER PRIOR TO CONSTRUCTION.

PLAN NOTES

- INDICATES 6" COLD FORMED METAL FRAMING (CFMF) SHEAR WALLS.
- REFER TO SHEET S1.01 FOR GENERAL NOTES.
- ALL SIMPSON HOLD-DOWNS TO BE STAINLESS STEEL OR Z-MAX G185 HOT DIPPED GALVANIZED COATING.
- ALL SILL PLATE ANCHOR BOLTS TO BE STAINLESS STEEL OR G185 HOT DIPPED GALVANIZED.
- ALL STEEL IN CONTACT WITH TREATED WOOD TO BE STAINLESS STEEL OR G185 HOT DIPPED GALVANIZED.
- REFER TO GENERAL NOTES FOR TYPICAL WALL FRAMING AND ATTACHMENT.
- REFER TO GENERAL NOTES FOR TYPICAL SILL PLATE & ANCHOR BOLT REQUIREMENTS.
- REFER TO 2/S3.01 FOR TYPICAL GRADE BEAM CONSTRUCTION JOINT DETAILS.
- REFER TO 3/S3.01 AND 4/S3.01 FOR TYPICAL HOLD-DOWN DETAILS.



2 SHEATHING ELEVATION
1/2" = 1'-0"



TOP TRACK SPLICE CONNECTION DETAIL

FASTENING DETAIL

NOTES
GENERAL CONTRACTOR TO VERIFY EXISTING FRAMING CONFIGURATION, NOTIFYING THE ENGINEER OF RECORD WHERE INCONSISTENCIES EXIST.

1 FOUNDATION PLAN @ ADDITION
1/4" = 1'-0"

Order Plans @

WWW.DIPLINE.COM



STORE #6679

6808 SIEGEN LANE
BATON ROUGE, LA 70809

PROJ. NO.: 1722
DATE: 10/16/17

SHEET TITLE:

PARTIAL ROOF
FRAMING PLAN

SHEET NO.:
S2.01