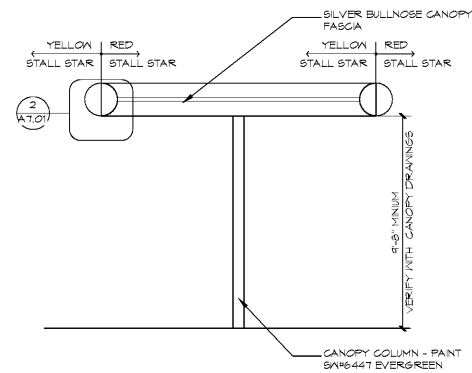
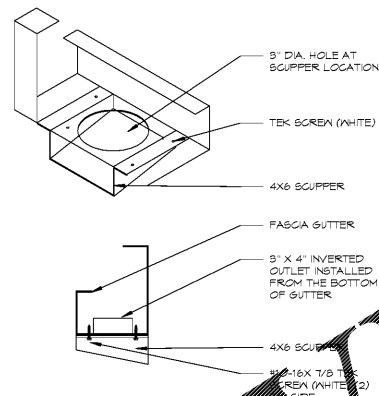


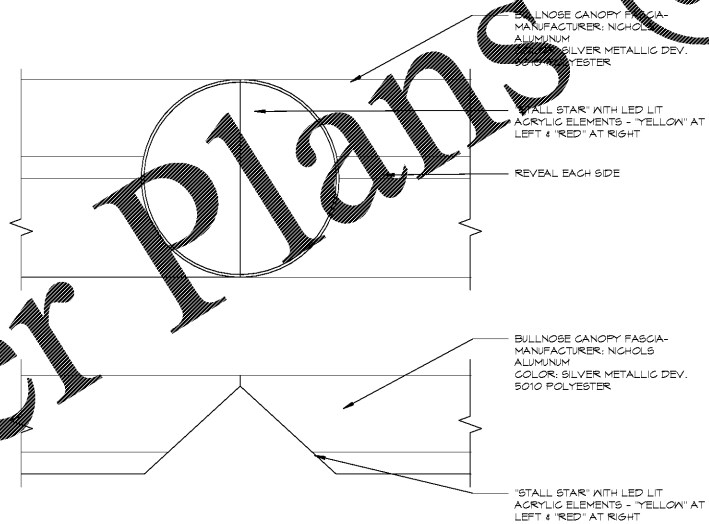
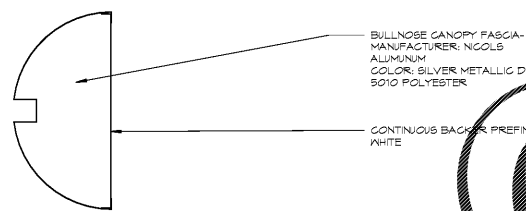
1 TYP. CAR STALL CANOPY FRONT ELEV.
1/4" = 1'-0"



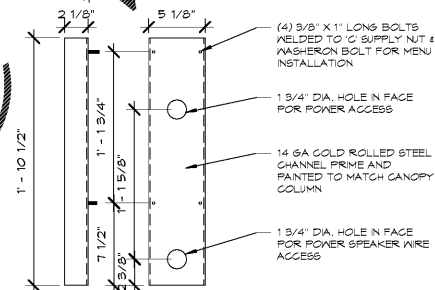
2 TYP. CAR STALL CANOPY END ELEV.
1/4" = 1'-0"



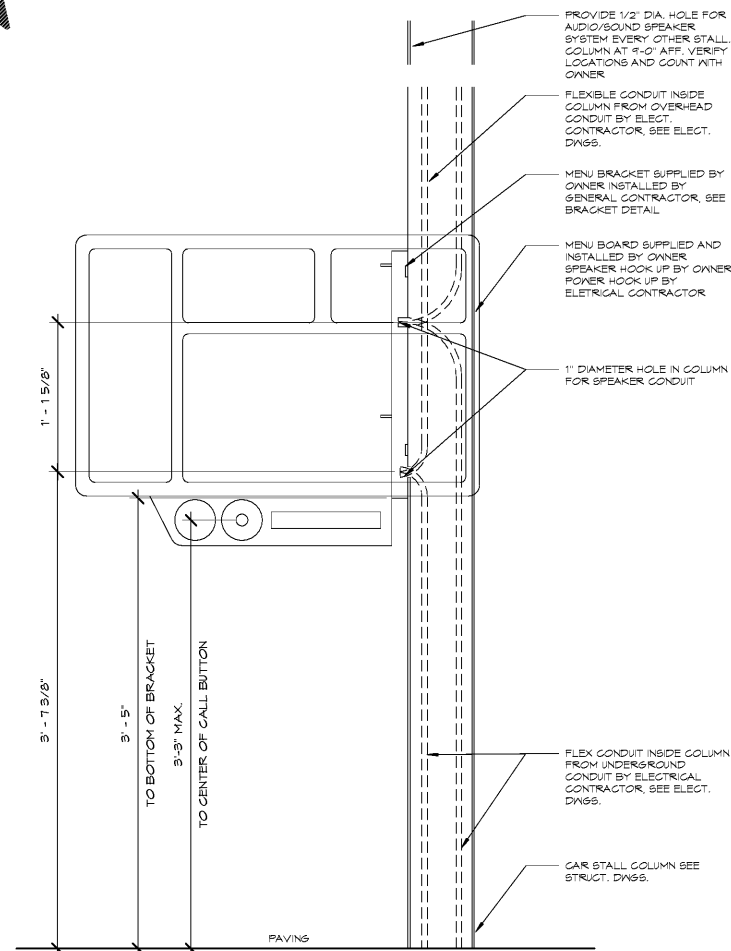
3 CAR STALL CANOPY GUTTER
1 1/2" = 1'-0"



4 CAR STALL CANOPY FASCIA
1 1/2" = 1'-0"



5 CAR CANOPY BRACKET
1 1/2" = 1'-0"



6 MENU BOARD @ CAR CANOPY
1 1/2" = 1'-0"

- CAR STALL CANOPY NOTES:
1. FRANCHISEE WILL CONTRACT DIRECTLY WITH CANOPY VENDOR TO PROVIDE ALL CANOPY COMPONENTS TO SITE AND FOR INSTALLATION.
 2. GENERAL CONTRACTOR WILL RUN CONDUIT FROM THE BUILDING TO INCLUDE POWER FOR LIGHTING, MENU BOARDS, SPEAKERS, MUSIC, ETC. PER THE ELECTRICAL DRAWINGS. GENERAL CONTRACTOR WILL PREPARE FOOTINGS AND ERECT CANOPY AND ROOFING. MENU BOARDS WILL BE INSTALLED BY THE POS VENDOR.



STORE #6679

6808 SIEGEN LANE
BATON ROUGE, LA 70809

PROJ. NO.: 1122

DATE: 10/16/11

SHEET TITLE:

CANOPY DETAILS

SHEET NO.:

A7.01

Order Plans @

WWW.LDILine.com