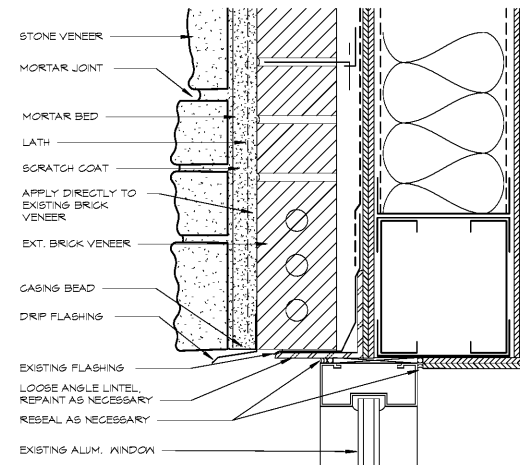
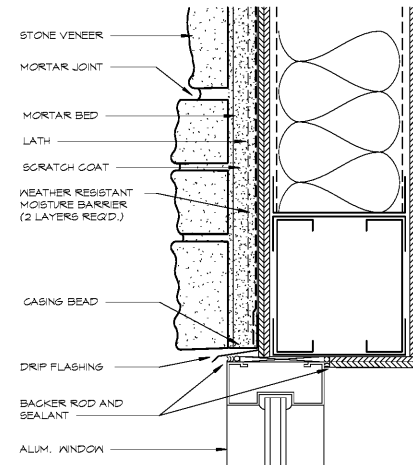


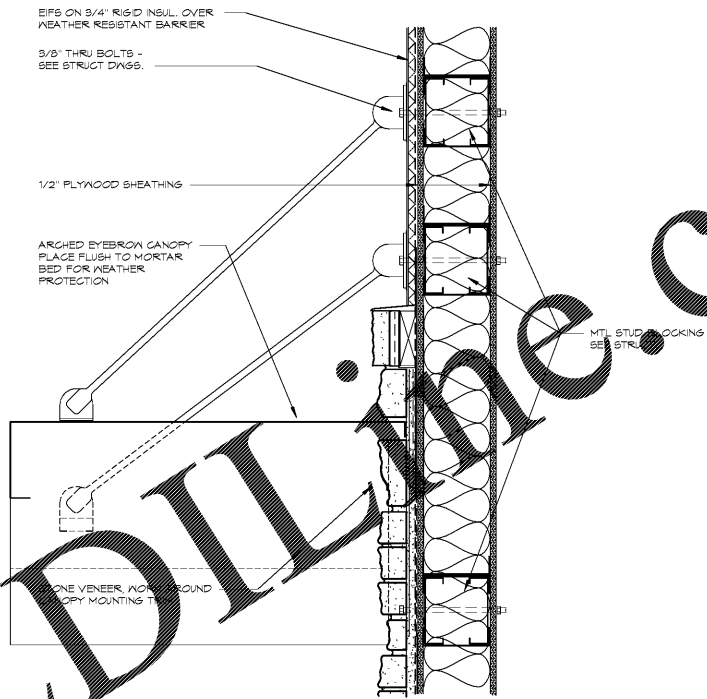
10  
A5.02 DOOR HEAD EXT. - ALUM.  
3" = 1'-0"



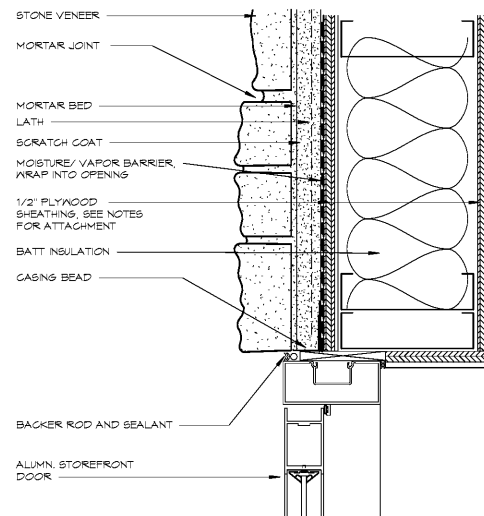
7  
A5.02 (E) WINDOW HEAD @ STONE  
3" = 1'-0"



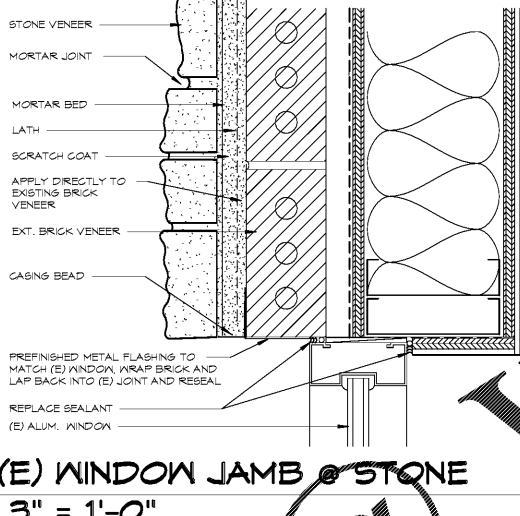
4  
A5.02 ALUMINUM WINDOW HEAD  
3" = 1'-0"



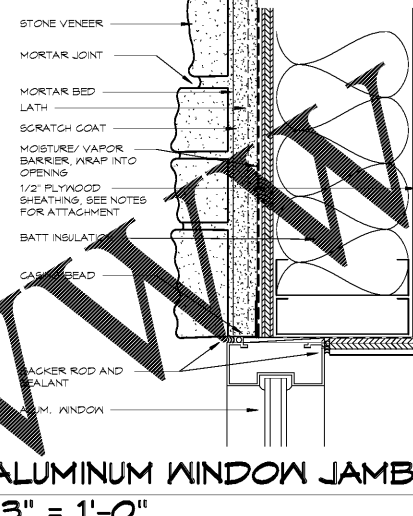
A5.02 DRIVE-THRU EYEBROW  
1 1/2" = 1'-0"



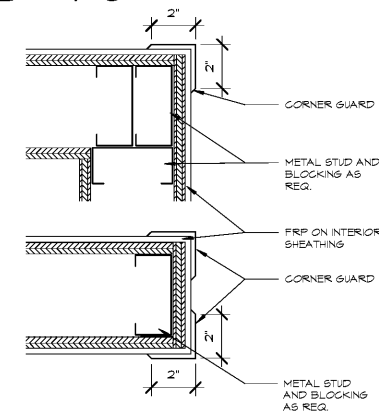
11  
A5.02 DOOR JAMB EXT. - ALUM.  
3" = 1'-0"



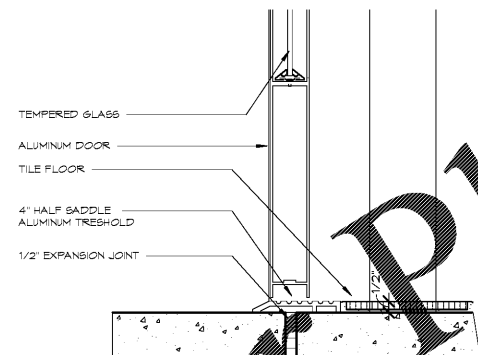
8  
A5.02 (E) WINDOW JAMB @ STONE  
3" = 1'-0"



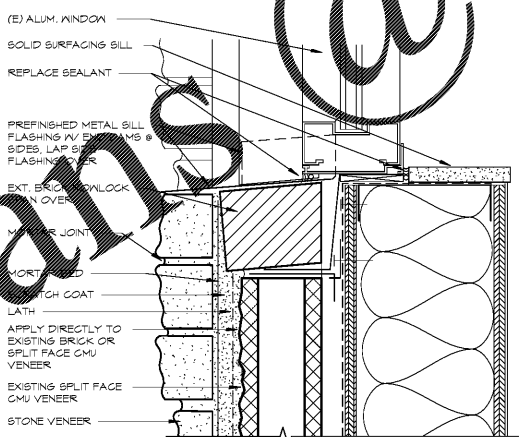
5  
A5.02 ALUMINUM WINDOW JAMB  
3" = 1'-0"



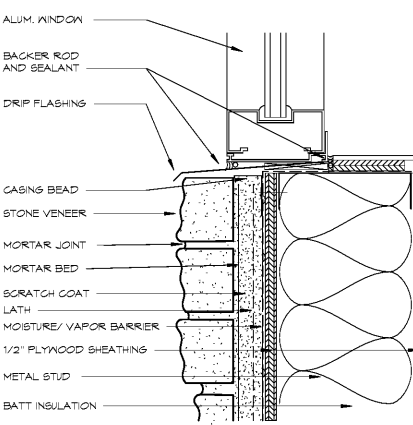
2  
A5.02 INT. WALL CORNER GUARD  
3" = 1'-0"



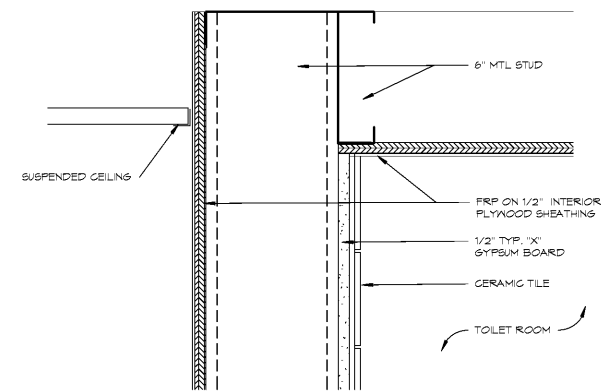
12  
A5.02 DOOR THRESHOLD  
3" = 1'-0"



9  
A5.02 (E) WINDOW SILL @ STONE  
3" = 1'-0"



6  
A5.02 ALUMINUM WINDOW SILL  
3" = 1'-0"



3  
A5.02 CEILING SECT DETAIL  
3" = 1'-0"



STORE #6679

6808 SIEGEN LANE  
BATON ROUGE, LA 70809

PROJ. NO.: 1122  
DATE: 10/16/11  
SHEET TITLE:

DETAILS

SHEET NO.:

A5.02

Order Plans @