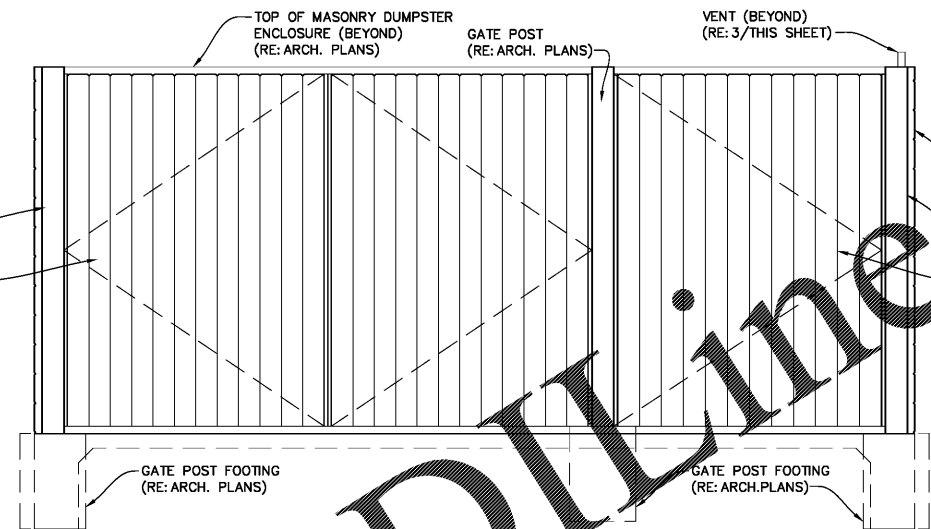
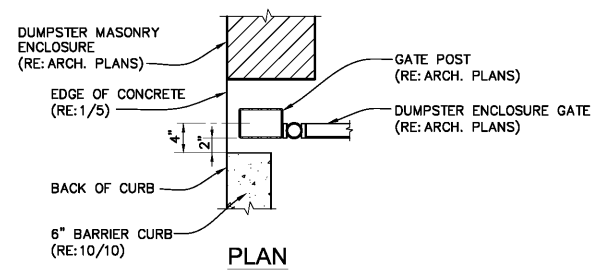


6 DOUBLE BARRIER CURB DETAIL
N.T.S.

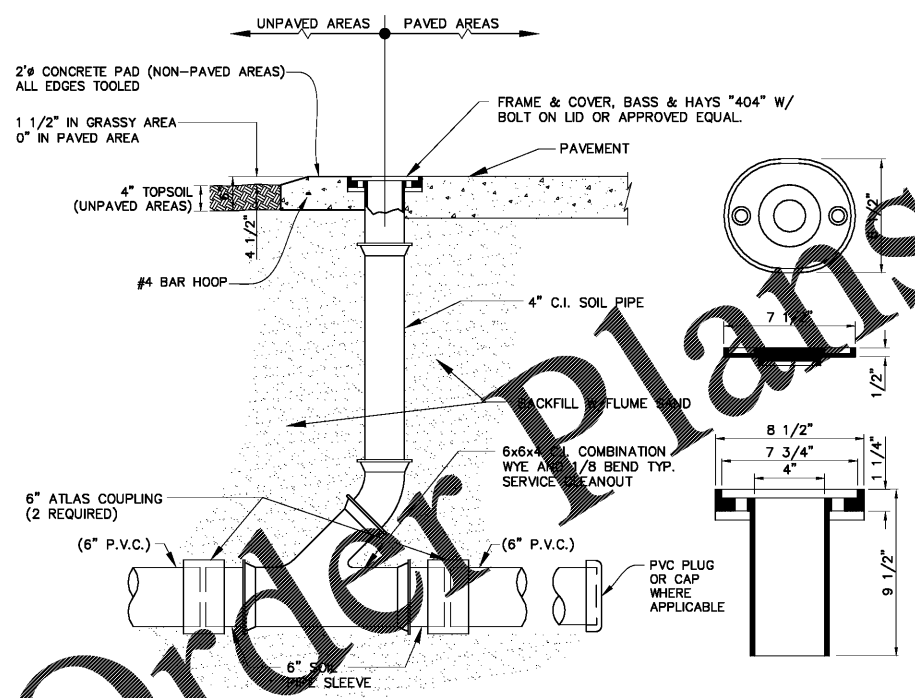
1. REFER TO DETAIL 10/ SHEET 10 FOR SPECIFIC CURB REINFORCEMENT



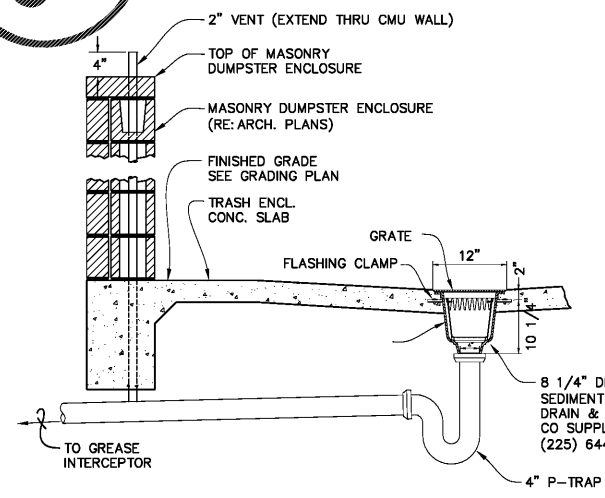
2 DUMPSTER ENCLOSURE ELEVATION
N.T.S.



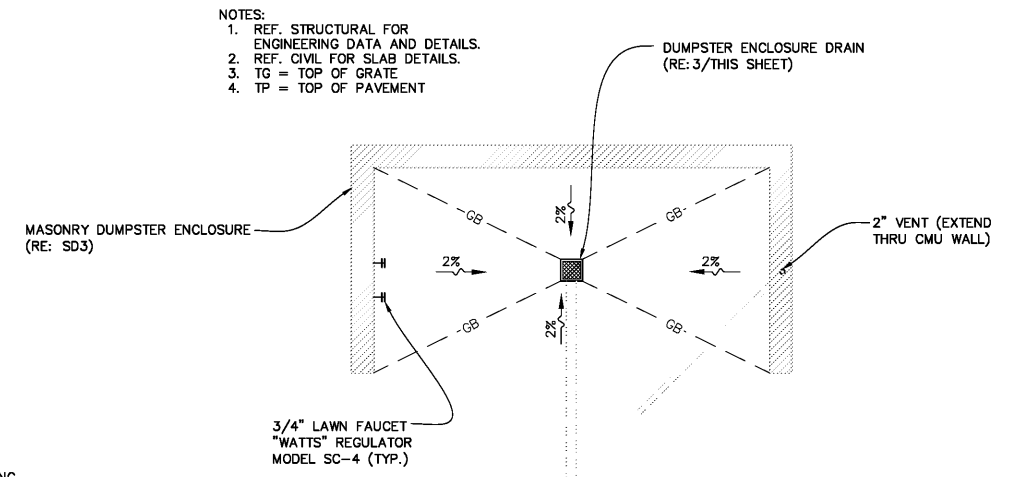
5 END OF CURB DETAIL
N.T.S.



4 SEWER CLEANOUT
N.T.S.



3 DUMPSTER ENCLOSURE DRAIN
N.T.S.



1 DUMPSTER ENCLOSURE PLAN
N.T.S.

NOTES:
1. REF. STRUCTURAL FOR ENGINEERING DATA AND DETAILS.
2. REF. CIVIL FOR SLAB DETAILS.
3. TO = TOP OF GRADE
4. TP = TOP OF PAVEMENT

THIS DRAWING IS APPROVED FOR CONSTRUCTION.
 THIS DRAWING IS NOT APPROVED FOR CONSTRUCTION.

DRAWN BY: P/AE
DATE:

REVISION	DATE
CHECKED	T.C.D
BOOK NO.	N/A
JOB NO.	

DWG. NO. 10893
SCALE SHOWN 1/2"=1'-0"

OWNER: KERGAN BROTHERS - SONIC DRIVE-IN RESTAURANT
PROJECT: SONIC DRIVE-IN RESTAURANT #6679
6608 SIEGEN LANE
BATON ROUGE, LA 70809

SHEET NUMBER
12
OF 14

DUMPSTER DETAILS

PRINTED: 2/9/2018 3:06 PM FILE PATH: \\PACSRV08\Civil\Jobs\10893 - SONIC - 6608 SIEGEN LN - BATON ROUGE\DESIGN\SHEETS\10893-Dumpster.dwg

THE LOCATION OF EXISTING UNDERGROUND UTILITIES ARE SHOWN IN AN APPROXIMATE WAY ONLY. THE CONTRACTOR SHALL DETERMINE THE EXACT LOCATION OF ALL EXISTING UTILITIES BEFORE COMMENCING WORK. HE AGREES TO BE FULLY RESPONSIBLE FOR ANY AND ALL DAMAGES WHICH MIGHT BE OCCASIONED BY HIS FAILURE TO EXACTLY LOCATE AND PRESERVE ANY AND ALL UNDERGROUND UTILITIES.



CALL LOUISIANA ONE CALL - JUST DIAL 811
LOUISIANA STATE LAW, SECTION R.S. 40:1749.15, REQUIRES EXCAVATORS AND DEMOLISHERS TO NOTIFY A REGIONAL NOTIFICATION CENTER BY TELEPHONE 48 HOURS TO 120 HOURS IN ADVANCE OF ANY EXCAVATION OR DEMOLITION ACTIVITY. THE OWNERS/OPERATORS OF ANY UNDERGROUND FACILITY MUST THEN MARK THE AREA OR PROVIDE INFORMATION THAT WILL ENABLE AN EXCAVATOR OR DEMOLISHER TO DETERMINE THE LOCATION OF UNDERGROUND FACILITIES.

THESE DRAWINGS DO NOT INCLUDE COMPONENTS FOR CONSTRUCTION SAFETY.

SCALE NOTE
SCALE BAR SHOWN IS ONE INCH LONG AT FULL SCALE WHEN SCALING DRAWINGS. MEASURE BAR TO DETERMINE IF SCALE SHOWN WILL REQUIRE ADJUSTING.

