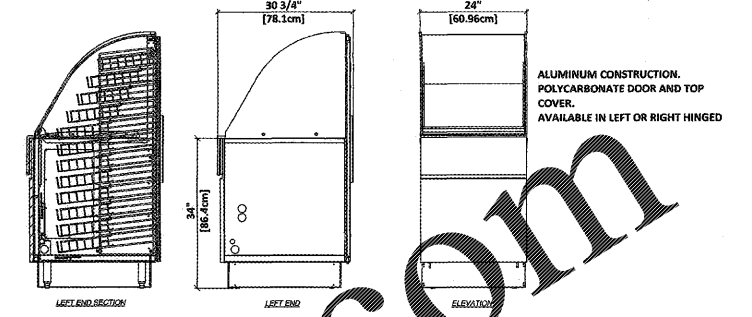


MODEL: CR18
LEXAN DOUBLE DOORS - NSF APPROVED

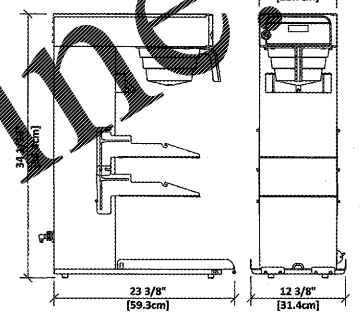
MODEL: HCR18
LEXAN DOUBLE DOORS - NSF APPROVED

NUVU
(OPEN/ENCLOSED)
BREAD CABINET

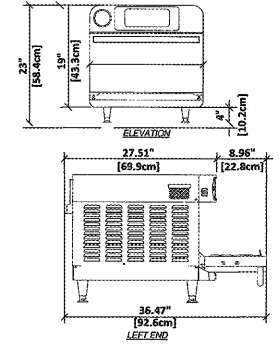
NUVU ENCLOSED
BREAD CABINET



DUKE FRONTLINE BREAD DISPLAY CABINET

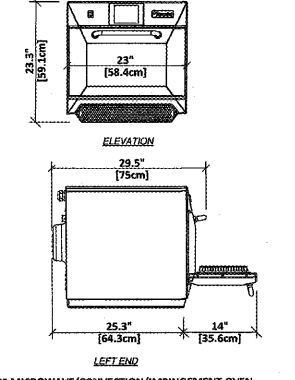


BUNN INFUSION ITCB BREWER



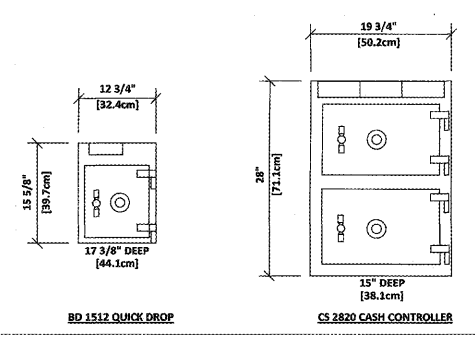
MODEL: CA72-RR12-6
POLY CARBONATE DOUBLE DOORS - NSF APPROVED

LOCKWOOD ENCLOSED
BREAD CABINET

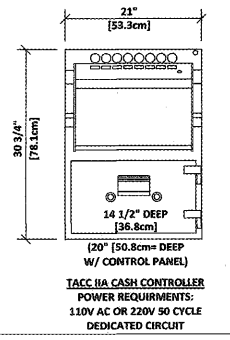


TURBOCHEF RAPID
COOK OVEN

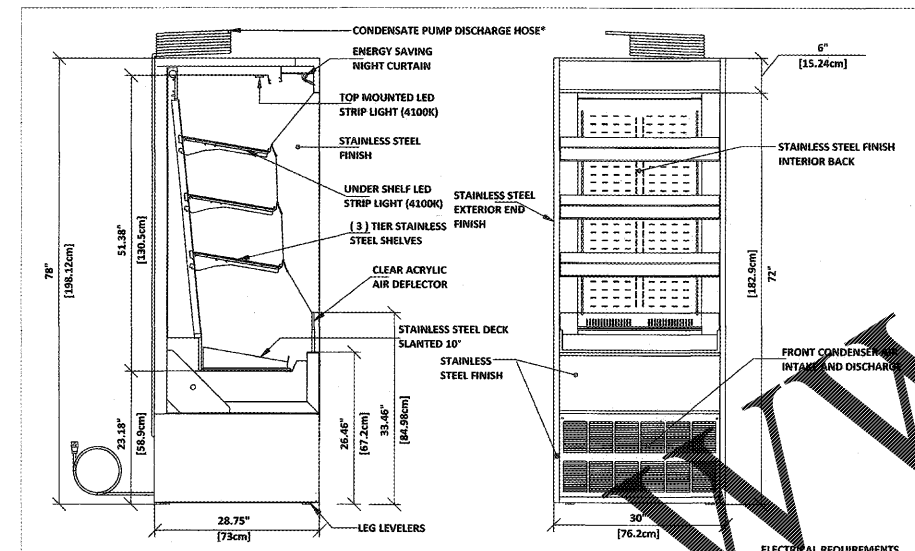
MERRYCHEF RAPID
COOK OVEN



DUKE RAPID COOK
OVEN STACKING CART



TIDEL SAFE

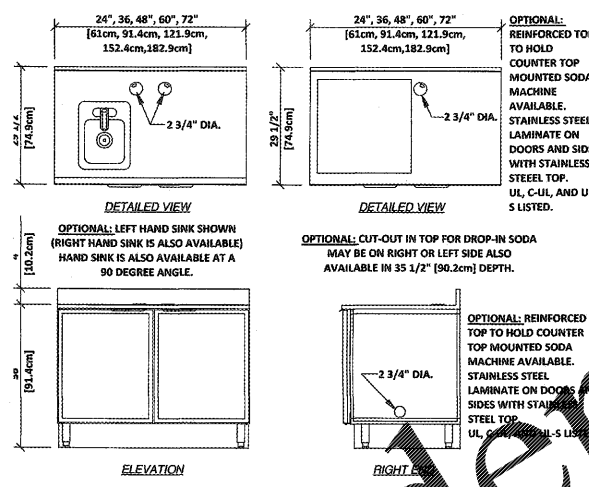


FEDERAL FRESH DISPLAY

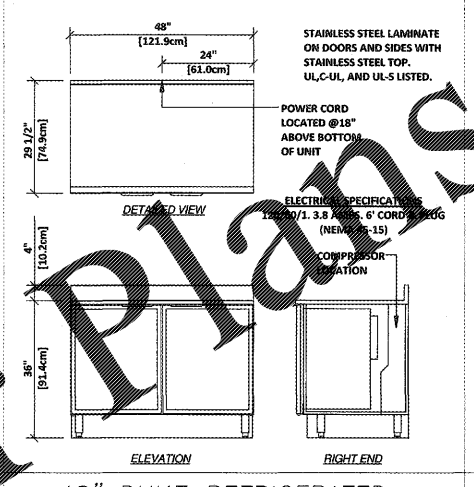
*CONDENSATE PUMP DRAIN HOSE MUST BE ROUTED TO FLOOR DRAIN AT INSTALLATION

ELECTRICAL REQUIREMENTS
120/60/1 - 15 AMPS, 5-20 NEMA PLUG

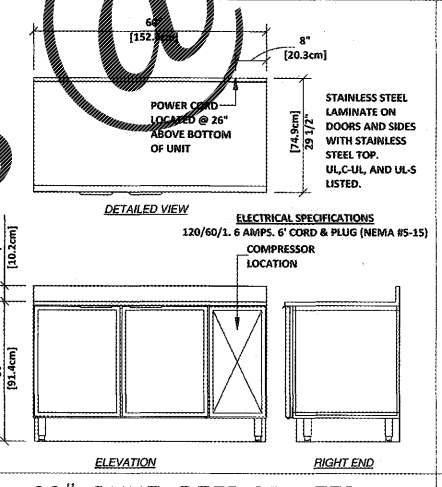
LOCKWOOD
(OPEN/ENCLOSED)
BREAD CABINET



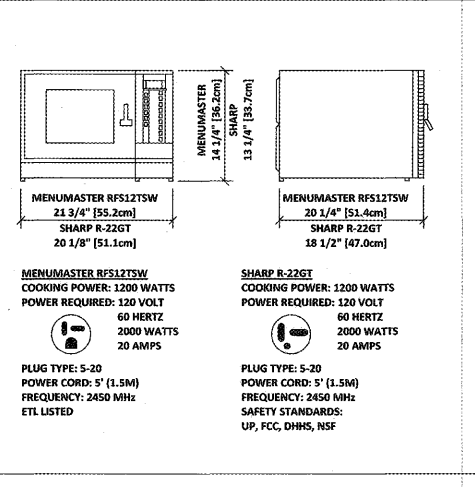
DUKE BACK COUNTER



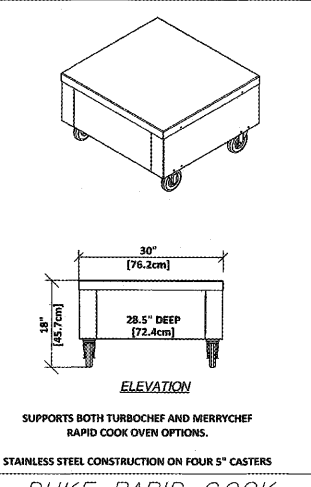
48" DUKE REFRIGERATED
BACK COUNTER



60" DUKE REFRIGERATED
BACK COUNTER



MICROWAVE OVEN



DUKE RAPID COOK
OVEN STACKING CART

THIS DRAWING IS FURNISHED BY FWH...
DESIGNED BY: DAN BOURQUE
DATE: MAY 10, 2017

NOTE: THESE DRAWINGS REPRESENT TYPICAL EQUIPMENT PURCHASED THROUGH DOCTOR'S ASSOCIATES INC. AND DOES NOT REPRESENT ANY EQUIPMENT PURCHASED LOCALLY BY THE FRANCHISEE/OWNER. OWNERS OF STORES OUTSIDE THE UNITED STATES AND CANADA MAY NEED ALTERNATE ELECTRICAL REQUIREMENTS. CONTACT YOUR FWH COORDINATOR OR THE MANUFACTURER FOR THE MODIFIED ELECTRICAL SPECIFICATIONS.

STORES MUST BE CONSTRUCTED AS DESIGNED IN THESE FLOOR PLANS SUBJECT TO FEDERAL, STATE AND LOCAL LAWS. RECIPIENT IS RESPONSIBLE FOR ENSURING COMPLIANCE WITH ALL LAWS. IF MODIFICATIONS ARE NECESSARY, PLEASE CONTACT THE FWH STORE DESIGN DEPARTMENT FOR WRITTEN APPROVAL OF THE REQUIRED CHANGES.

**EQUIPMENT
BACK-UP SHEETS**

SUBWAY
WORLD HEADQUARTERS
325 SUB WAY
MILFORD, CT 06461
(203) 877-4281 (800)888-4848

SHEET #: 2 OF 2
SCALE: NOT TO SCALE
© 2015 SUBWAY IP, INC.