

MODEL #	A	B	C	D	E	F	G	INTERIOR CU. FT.	VOLTS/HZ/PH	MINIMUM CIRCUIT AMPS	TOTAL SYSTEM AMPS	MAXIMUM FUSE SIZE
KLB66-CX-SUB	6"	6"	26"	66"	37"	48 1/4"	14 7/8"	168	208-230/60/1	10.5	8.7	15
KLB683-CX-SUB	8"	8"	26"	66"	37"	48 1/4"	14 7/8"	231	208-230/60/1	11.9	10	15
KLB7466-CX-SUB	6"	8"	26"	66"	37"	48 1/4"	14 7/8"	231	208-230/60/1	11.9	10	15
KLB7468-CX-SUB	6"	8"	26"	78"	37"	48 1/4"	14 7/8"	196	208-230/60/1	11.9	10	15
KLB74683-CX-SUB	6"	8"	26"	78"	37"	48 1/4"	14 7/8"	270	208-230/60/1	11.9	10	15
KLB7766-CX-SUB	6"	8"	26"	78"	37"	48 1/4"	14 7/8"	196	208-230/60/1	10.5	8.7	15
KLB77683-CX-SUB *	6"	8"	26"	78"	37"	48 1/4"	14 7/8"	270	208-230/60/1	11.9	8.7	15
KLF66-CX *	6"	6"	26"	66"	39"	48 1/4"	14 7/8"	168	208-230/60/1	13.4	8.2	15
KLF683-CX *	8"	8"	26"	66"	39"	48 1/4"	14 7/8"	231	208-230/60/1	10.8	9.1	15
KLF7766-CX	6"	8"	26"	78"	39"	48 1/4"	14 7/8"	196	208-230/60/1	13.4	8.2	15
KLF77683-CX	6"	8"	26"	78"	39"	48 1/4"	14 7/8"	270	208-230/60/1	10.8	9.1	15
KLF7866-CX	6"	8"	26"	78"	39"	48 1/4"	14 7/8"	184	208-230/60/1	13.4	8.2	15
KLF78683-CX	8"	8"	26"	78"	39"	48 1/4"	14 7/8"	256	208-230/60/1	10.8	9.1	15
KLF78683-CX	6"	8"	26"	78"	39"	48 1/4"	14 7/8"	256	208-230/60/1	10.8	9.1	15

NOTE: EACH DOOR SECTION REQUIRES SEPARATE 115/60/1 HOOK UP AND DRAWS 2.3 AMPS.

*THESE SYSTEMS HAVE FAN MOTORS THAT REQUIRE SEPARATE 115/60/1 HOOK UP AND DRAW .75 AMPS. ABOVE SPECIFICATIONS FOR CEILING MOUNT SYSTEMS AND INDOOR USE ONLY.

WALL MOUNT AND REMOTE COMPRESSORS AVAILABLE. SEE MANUFACTURER FOR DETAILS.

ALL TO BE DIRECT WIRED.

NSF APPROVED. UL LISTING #E-486142 (REPORT #48). E.T.L. APPROVED. CSA FILE 18542-24.

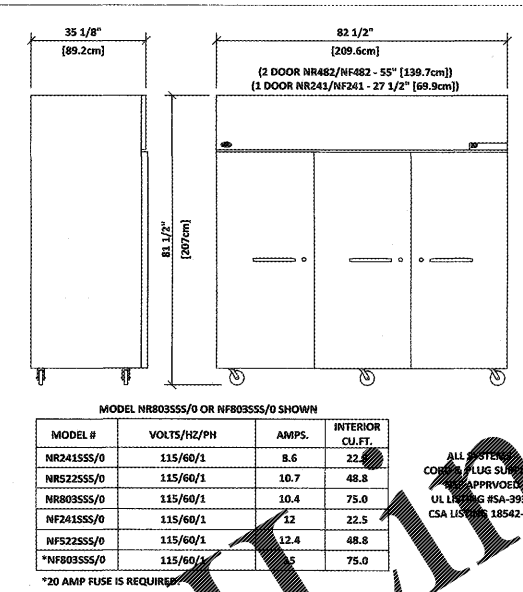
MANUFACTURER CLEARANCE SPECIFICATIONS:

DO NOT STORE BOXES ON THE TOP OF COOLER OR FREEZER. STORED OBJECTS WILL OBSTRUCT AIR FLOW AND CAUSE VENTILATION PROBLEMS FOR THE REFRIGERATION SYSTEMS.

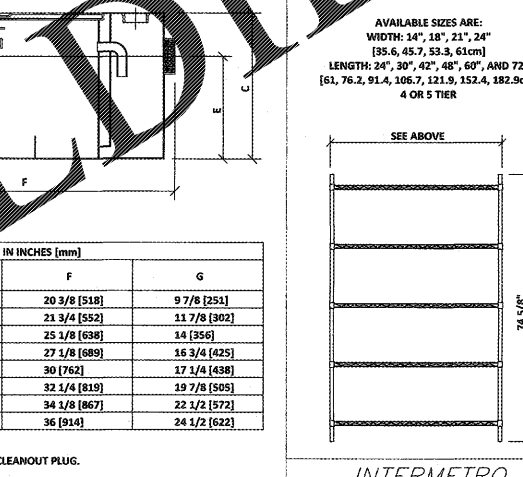
24" CLEARANCE IS RECOMMENDED FROM TOP OF ROOF MOUNTED CAPSULE PAK REFRIGERATION SYSTEM TO CEILING FOR SERVICE PURPOSES (6" MINIMUM).

OPENING WITH GRILL OR LOUVERS (MIN. SIZE 15" H X 26" W) IN HEADER WALL RECOMMENDED FOR VENTILATION OF ROOF MOUNTED COMPRESSOR.

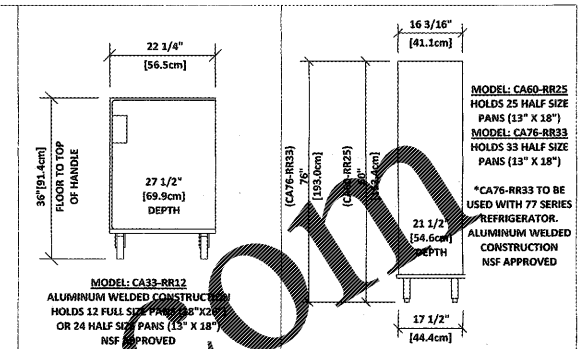
12" CLEARANCE IS RECOMMENDED ON BOTH SIDES OF THE WALL MOUNTED CAPSULE PAK FOR PROPER AIR FLOW.



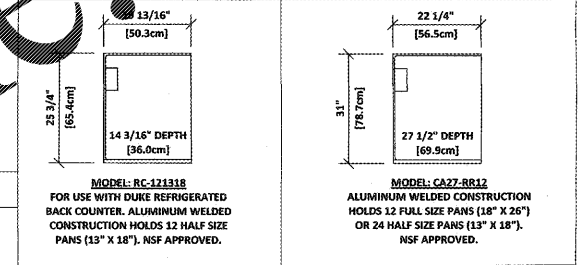
NORLAKE REFRIGERATOR/FREEZER



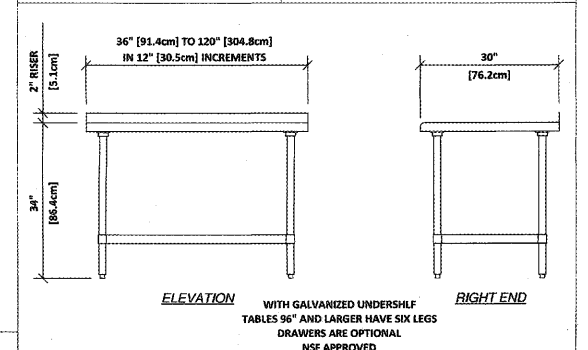
ZURN GREASE INTERCEPTOR



LOCKWOOD RETARDER CABINET

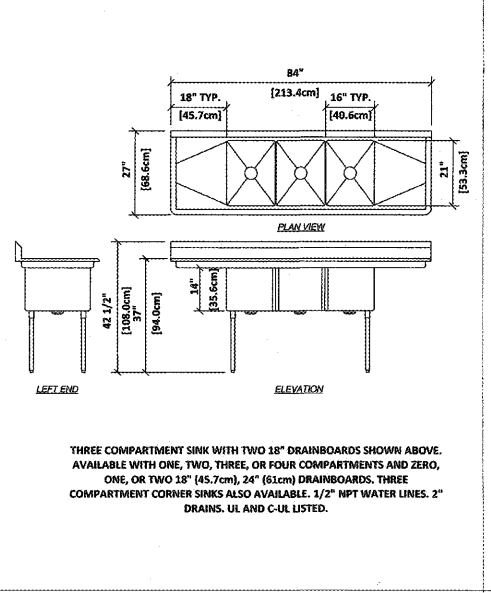
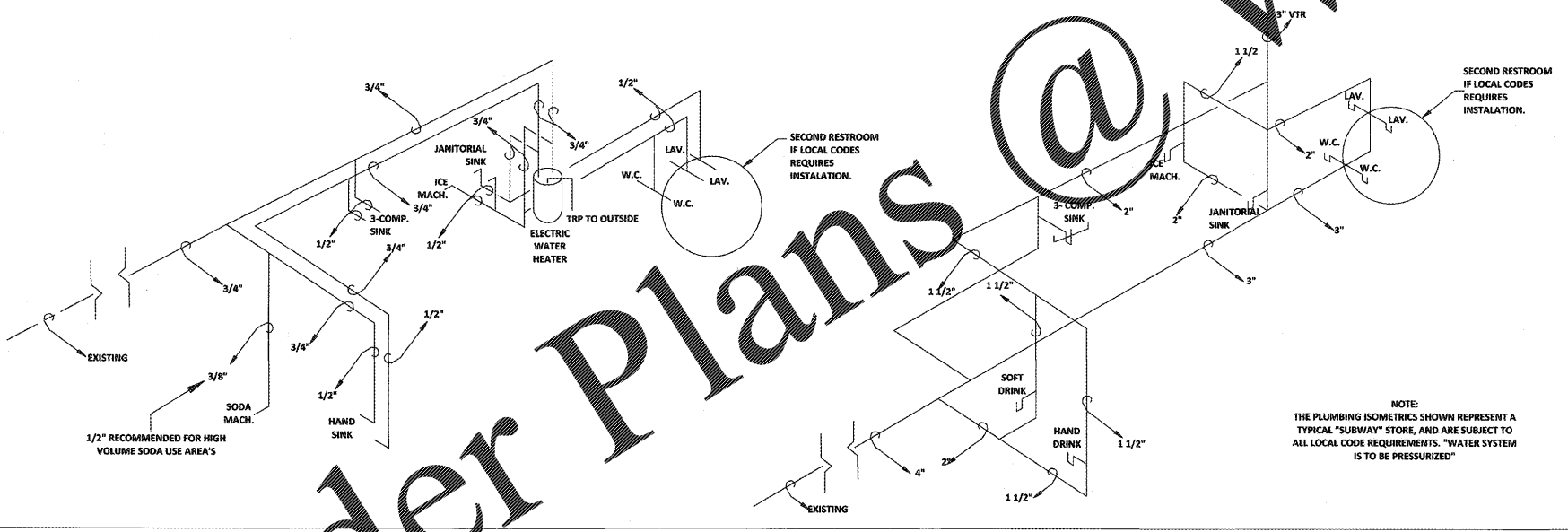


DUKE RETARDER CABINET

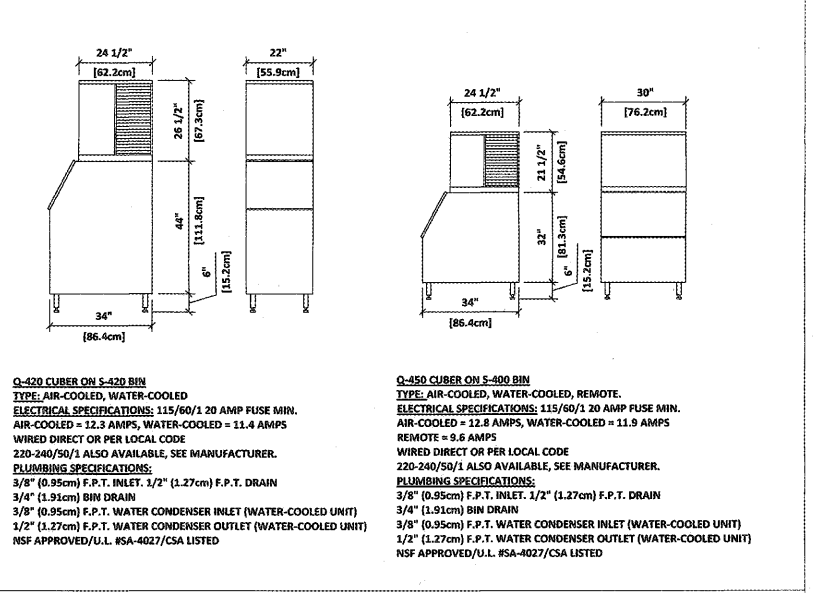


INTERMETRO SHELVING SYSTEMS

NORLAKE KOLD LOCKER SERIES REFRIGERATOR AND FREEZER



DUKE STAINLESS STEEL SINK



MANITOWOC ICE CUBER

DESIGNED BY: DAN BOURQUE DATE: MAY 10, 2017

NOTE: THESE DRAWINGS REPRESENT TYPICAL EQUIPMENT PURCHASED THROUGH DOCTOR'S ASSOCIATES INC. AND DOES NOT REPRESENT ANY EQUIPMENT PURCHASED LOCALLY BY THE FRANCHISEE/OWNER. OWNERS OF STORES OUTSIDE THE UNITED STATES AND CANADA MAY NEED ALTERNATE ELECTRICAL REQUIREMENTS. CONTACT YOUR FWH COORDINATOR OR THE MANUFACTURER FOR THE MODIFIED ELECTRICAL SPECIFICATIONS.

STORES MUST BE CONSTRUCTED AS DESIGNED IN THESE FLOOR PLANS SUBJECT TO FEDERAL, STATE AND LOCAL LAWS. RECIPIENT IS RESPONSIBLE FOR ENSURING COMPLIANCE WITH ALL LAWS. IF MODIFICATIONS ARE NECESSARY, PLEASE CONTACT THE FWH STORE DESIGN DEPARTMENT FOR WRITTEN APPROVAL OF THE REQUIRED CHANGES.

EQUIPMENT BACK-UP SHEETS

SHEET #: 1 OF 2

SCALE: NOT TO SCALE

WORLD HEADQUARTERS
325 SUB WAY
MILFORD, CT 06461
(203) 877-4281 (800)888-4848

© 2014 SUBWAY IP, INC.