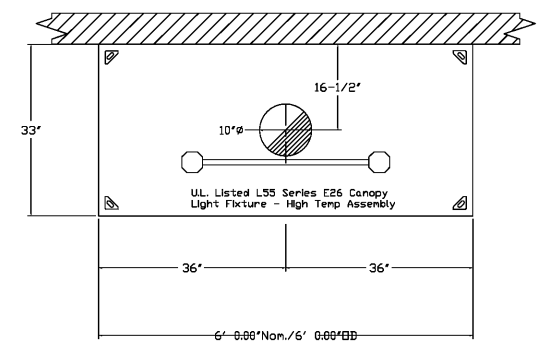


**HOOD INFORMATION - Job#3100335**

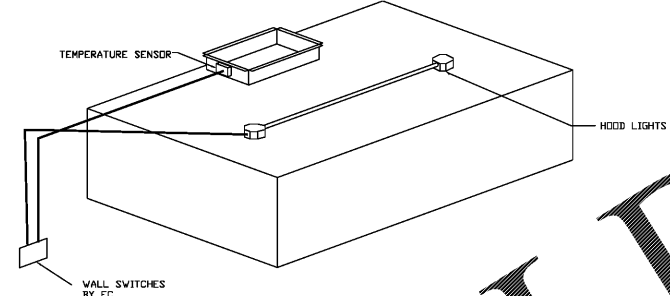
HOOD NO.	TAG	MODEL	LENGTH	MAX. COOKING TEMP.	EXHAUST PLENUM RISER(S)				HOOD CONSTRUCTION	HOOD CONFIG.					
					TOTAL EXH. CFM	WIDTH	LENG.	HEIGHT		DIA.	CFM	VEL.	S.P.	END TO END	ROV
1		3324 VHB	6' 0.00"	700 Deg.	600		4'	10'	600	1100	-0.068"	430 SS	100%	ALONE	ALONE

**HOOD INFORMATION**

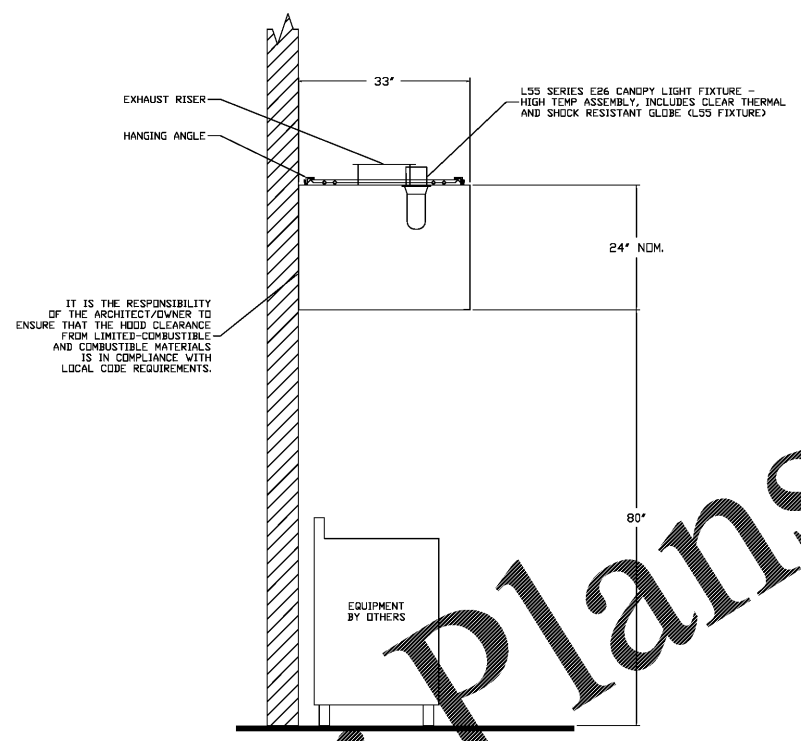
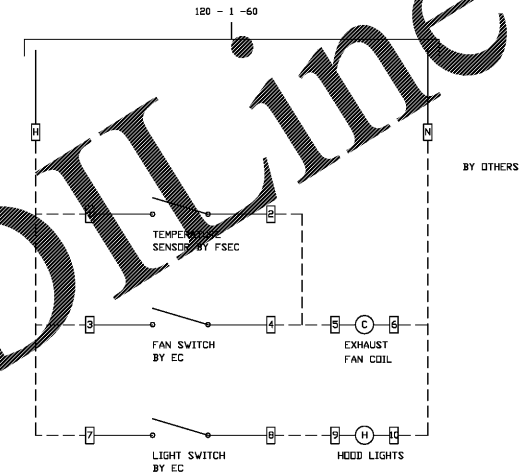
HOOD NO.	TAG	FILTER(S)			EFFICIENCY @ 7 MICRONS	LIGHT(S)		WIRE GUARD	LOCATION	SIZE	UTILITY CABINET(S)		ELECTRICAL	SWITCHES	FIRE SYSTEM PIPING	HOOD HANGING WGT
		TYPE	QTY.	HEIGHT		LENGTH	QTY.				TYPE	TYPE				
1						2	L55 Series E26	NO							NO	161 LBS



PLAN VIEW - Hood #1  
6' 0.00" LONG 3324VHB



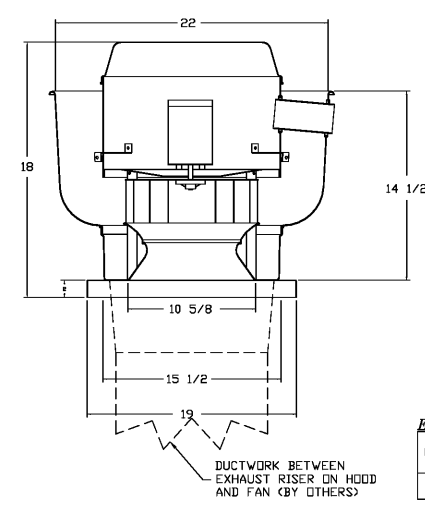
HOOD SENSOR WIRING



ELEVATION VIEW - MODEL 3324VHB  
HOOD - #1

FOR QUOTE CONTACT  
SCOTT TOWNER  
SCOTT.TOWNER@CAPTIVEAIRE.COM

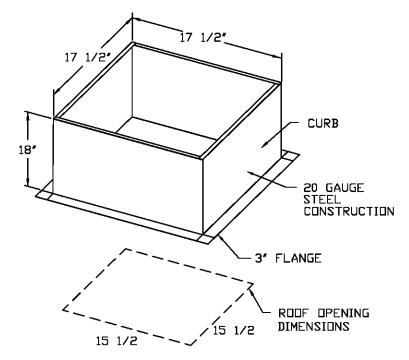
FAN #1 DU12HFA - EXHAUST FAN



**FEATURES:**

- DIRECT DRIVE CONSTRUCTION (NO BELTS/PULLEYS)
- ROOF MOUNTED FANS
- RESTAURANT MODEL
- UL705
- VARIABLE SPEED CONTROL
- INTERNAL WIRING
- WEATHERPROOF DISCONNECT
- THERMAL OVERLOAD PROTECTION (SINGLE PHASE)
- HIGH HEAT OPERATION 300°F (149°C)

**NORMAL TEMPERATURE TEST**  
EXHAUST FAN MUST OPERATE CONTINUOUSLY WHILE EXHAUSTING AIR AT 300°F (149°C) UNTIL ALL FAN PARTS HAVE REACHED THERMAL EQUILIBRIUM, AND WITHOUT ANY DETERIORATING EFFECTS TO THE FAN WHICH WOULD CAUSE UNSAFE OPERATION.



PITCHED CURBS ARE AVAILABLE FOR PITCHED ROOFS.  
SPECIFY PITCH:  
EXAMPLE: 7/12 PITCH = 30° SLOPE

EXHAUST FAN INFORMATION - Job#3100335

FAN UNIT NO.	TAG	FAN UNIT MODEL #	CFM	ESP.	RPM	H.P.	B.H.P.	Ø	VOLT	FLA	WEIGHT (LBS.)	SONES
1		DU12HFA	600	0.350	1361	0.180	0.1100	1	115	1.9	51	7.8

**REVISIONS**

NO.	DESCRIPTION	DATE

**CAPTIVEAIRE**  
www.captiveaire.com  
Central Florida Office  
PO Box 917396, Longwood, FL 32791-7396 PHONE: (407) 682-0317 FAX: (407) 772-0623 EMAIL: Scott.Towner@captiveaire.com

SUBWAY FRESH FORWARD

DATE: 8/1/2017  
DWG.#: 3100335  
DRAWN BY: SPT  
SCALE: 3/4" = 1'-0"  
MASTER DRAWING  
SHEET NO. 1

MECHANICAL PLAN  
SUBWAY HOOD  
PILOT TRAVEL CENTER  
130 HONDA DRIVE  
LINCOLN, AL 35096

DATE	REV.	REVISION DESCRIPTION

THE DESIGN PROFESSIONAL WISES ANY AND ALL RESPONSIBILITY AND LIABILITY FOR PROBLEMS WHICH ARISE FROM FAILING TO FOLLOW THESE PLANS, SPECIFICATIONS AND THE DESIGN INTENT NOT CONSIDERED OR INCURRED WHICH ARISE FROM OVERTS FAILING TO OBTAIN AND/OR FOLLOW THE DESIGN PROFESSIONAL'S REVISIONS, AMBIGUITIES OR CONFLICTS WHICH ARE ALTERED. THE DRAWING AND ITS CONTENTS AND DESIGN ARE THE PROPERTY OF JGC & CO. CONSULTING ENGINEERS, KNOXVILLE, TN. NO COPY, REPRODUCTION, OR USE OF ANY PART OF THIS DRAWING SHALL BE MADE WITHOUT THE WRITTEN PERMISSION OF JGC & CO. CONSULTING ENGINEERS. ORIGINAL STATE SEAL AND ORIGINAL SIGNATURE AND DATE ARE REQUIRED WITH THIS DRAWING BE FOR CONSTRUCTION.

**JGC**  
Jon G. Crye  
Consulting Engineer  
201 SHERMAN LANE, SUITE 101  
KNOXVILLE, TENNESSEE 37922  
PHONE: (665)-566-5348 FAX: (665)-247-0283  
F.L.E. NAME:

SHEET:  
**M2**

HOOD DRAWINGS PROVIDED FOR REFERENCE ONLY.

Order Plans @ WWW.LDILine.com