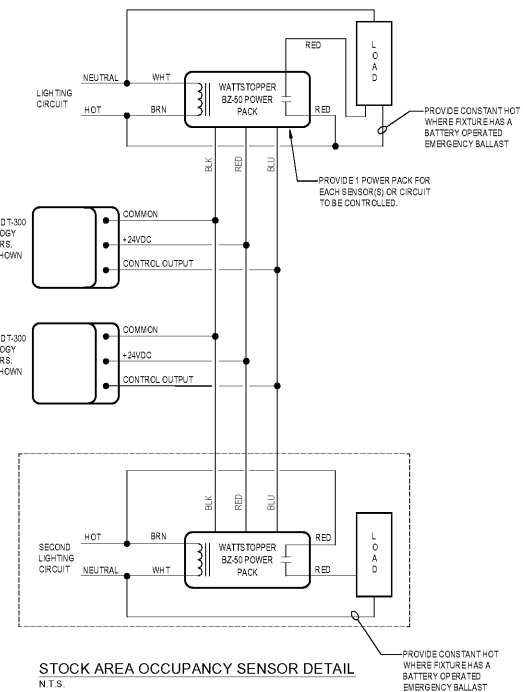


ELECTRICAL SYMBOL LEGEND	
SYMBOL	DESCRIPTION
A-2	HOMERUN TO PANEL "A" INDICATING CIRCUIT NUMBERS - ALL WIRING SHALL BE #12 WITH EQUIPMENT GROUND WIRE UNLESS OTHERWISE NOTED FOR CIRCUITS OVER 100 FT - ALL HOMERUNS ARE TO A 20 AMPERE, 1 POLE CIRCUIT BREAKER U.O.N. - QUANTITY OF CONDUCTORS AS NECESSARY TO ACCOMMODATE CIRCUITS AND CONTROL INDICATED - CROSS MATCHES INDICATE REQUIRED LIGHTING CONTROL U.O.N.
	CONDUIT RUN IN OR UNDER FLOOR SLAB (1" MINIMUM UNLESS OTHERWISE NOTED)
	SCHEDULE 40 PVC CONDUIT RUN AT 36" BELOW FINISHED GRADE. CONTRACTOR SHALL BORE BELOW STREET. COORDINATE WITH CITY. TRANSITION TO HEAVY WALL RIGID STEEL CONDUIT 2 FEET BELOW GRADE WHEN CONDUIT IS TO RISE ABOVE GRADE.
S	SWITCH - 20 AMPERE, 120/277 VOLT, SINGLE POLE - MTD AT 48" AFF UON "S" DENOTES SWITCHING "N" = KEY OPERATED, "P" = PULL LIGHT, "L" = ILLUMINATED TOGGLE, "3" = THREE-WAY, "4" = FOUR-WAY, "M" = MANUAL MOTOR STARTER, "D" = DIMMER SWITCH ("LUTRON NOVA SERIES") OCCUPANCY SENSOR SWITCH - 20 AMPERE, 120/277 VOLT, SINGLE POLE - MTD AT 48" AFF UON
Sen	WALL MOUNTED OCCUPANCY SENSOR FOR AUTOMATIC SHUTOFF CONTROL OF ROOM LIGHTING. OCCUPANCY SENSOR SHALL BE HUBBELL ILMH1S1. ADJUST OCCUPANCY SENSOR TO 30 MINUTE MAXIMUM DELAY.
OS	CEILING MOUNTED ULTRASONIC OCCUPANCY SENSOR WATTS TOPPER 801300-850
	DUPLEX RECEPTACLE - 20 AMPERE, 125 VOLT - MOUNTED AT 18" AFF UON. SUBSCRIPT "T" DENOTES TAMPER RESISTANT. "C" WHITE RECEPTACLE & COVER MOUNTED FLUSH IN CEILING. IG - ISOLATED GROUND TYPE. TRISH SURGE PROTECTED TYPE. ALL EXTERIOR RECEPTACLES SHALL BE WEATHER RESISTANT LABELED WR.
	DOUBLE DUPLEX RECEPTACLE - 20 AMPERE, 125 VOLT - MOUNTED AT 18" AFF UON
	DUPLEX RECEPTACLE MOUNTED IN A FLUSH FLOOR BOX. PROVIDE ALUMINUM DUAL FLUSH ACTIVATION KIT
	JUNCTION BOX - MOUNTING HEIGHT AND SIZE AS REQUIRED BY CODE OR AS NOTED ON DRAWINGS
	JUNCTION BOX - FOR SIGN. PROVIDE LOCAL DISCONNECT & COORDINATE LOCATION & MOUNTING HEIGHT WITH SIGN CONTRACTOR IN THE FIELD.
	FLUSH FLOOR BOX - WALKER OMBIBOX SERIES 1 GANG FLOOR BOX FLOOR BOX - #866S1, FLANGE - #818TCL, POWER COVERPLATE - #830CKTCL-3/4
	FLUSH FLOOR BOX - WALKER OMBIBOX SERIES 2 GANG FLOOR BOX FLOOR BOX - #866S2, FLANGE - #818TCL, POWER COVERPLATE - #830CKTCL-3/4 VOICE/DATA COVERPLATE - #830CKTCL-1
	HEAVY DUTY NON FUSIBLE DISCONNECT SWITCH
	HEAVY DUTY FUSIBLE DISCONNECT SWITCH. FUSE SIZE TO BE DETERMINED FROM EQUIPMENT TO BE SERVED NAMEPLATE DATA
	FLUSH COMMUNICATIONS OUTLET WITH TWO GANG BOX SINGLE GANG EXTENSION RING, MOUNTED AT 18" AFF U.O.N. W/MOUNTED 54" AFF
	COMMUNICATION OUTLET MOUNTED IN A FLUSH FLOOR BOX. PROVIDE (4) JACKS AND AN ALUMINUM DUAL FLUSH ACTIVATION KIT
	SPECIAL NEMA CONFIGURED OUTLET MOUNTED AS REQUIRED TO SERVE APPLIANCE. VERIFY CONFIGURATION PRIOR TO ROUGH-IN AND ADJUST WIRING AND CIRCUIT BREAKER SIZE AS REQUIRED.
	GROUND ROD - 3/4" X 10' COPPER CLAD
	WIRE LEGEND TAG (12" CONDUCTOR SIZE, 4" QUANTITY OF CONDUCTORS.)
	DOOR BELL PUSHBUTTON
	VIBRATING BELL
AFF	ABOVE FINISHED FLOOR
AC	INDICATES DEVICE MOUNTED AT 6" ABOVE CENTER
EC	ELECTRICAL CONTRACTOR
GFI	GROUND FAULT CIRCUIT INTERRUPTER TYPE
UON	UNLESS OTHERWISE NOTED
NL	NIGHT LIGHT

LIGHTING FIXTURE SCHEDULE								
QUANTITY	SYMBOL	TYPE	FIXTURE VA	DESCRIPTION	MFR. - CATALOG NUMBER	LAMPS	VOLTAGE	MOUNTING HEIGHT
-		A	84	GE - 8 FT. LED FIXTURE WITH 7% UPLIGHT	L-4S-B-0-A0-D9-P-40-V-Q-CS-WHITE	LED 4000K	UNIVERSAL (120V-277V)	13'-0" AFF
-		A1	84	GE - 8 FT. LED FIXTURE	L-4S-B-0-A0-D1-P-40-V-Q-CS-WHITE	LED 4000K	UNIVERSAL (120V-277V)	13'-0" AFF
-		A2	83	GE - 4 FT. LED FIXTURE	L-4S-4-B-0-52-D1-P-40-V-Q-CS-WHITE	LED 4000K	UNIVERSAL (120V-277V)	13'-0" AFF
21		C	40	LSI - 8 FT. INDUSTRIAL FLUORESCENT (2 LAMPS PER CROSS SECTION)	F20-2-32-SS010-4-UM841-4-UE-GE8-GEL-BCF	ETI 20W LED# 4054140241	UNIVERSAL (120V-277V)	13'-0" AFF
70		C1	40	LSI - 4 FT. INDUSTRIAL (2 L)	F20-2-32-SS010-4-UM841-4-UE-GE8-GEL	ETI 20W LED# 4054140241	UNIVERSAL (120V-277V)	13'-0" AFF
1		J	23	TRI LITE - DOUBLE ARM, DOUBLE STRUT DOCK LIGHT	DL 40-P	TCP# 23W PAR38 COMPACT FLUORESCENT LAMP	120 V	6'-6" AFF
-		R	50	JUNO RECESSED FLUORESCENT	CH6-228Q850-WH	(228W COMPACT FLUORESCENT LAMPS	UNIVERSAL (120V-277V)	IN CEILING
78		S	104	LSI - 2X4 RECESSED, 18 CELL LOUVERS, 3L FIXTURE (1:18 BF BALLAST)	PN:18-332-SHOL-LM841-UE-GE	SYLVANIA#F (2)LM841F032841-ECO21781	UNIVERSAL (120V-277V)	IN CEILING
50		SL	86	GE - 2X4 RECESSED LED FIXTURE	LVT-24-A-0-80-MM-40-VQ-LT-WHITE	LED 4000K	UNIVERSAL (120V-277V)	IN CEILING
17		T1	47	LSI - 1X4 FLANGED PRISMATIC 2 L T	1-FL-A-2-32-SD-SS010-LM841-UE-GE8-GEL-BCF	72888-(2F2878)XLSPX41E2	UNIVERSAL (120V-277V)	IN CEILING
204		T2	53	LSI - 1' X 4' STATIC PREMIUM 8 CELL PARABOLIC	N1P-G-6-232-FD-SS010-UE-LM841	SYLVANIA#F (2)LM841F032841-ECO21781	UNIVERSAL (120V-277V)	IN CEILING
27		T2L	46	LSI - 1' X 4' LOW PROFILE RECESSED LED TROFFER	LPEC24LED-HOANV-UE-LOS (EM FOR EMERGENCY FIXTURES)	LED 4000K	UNIVERSAL (120V-277V)	IN CEILING
-		T3	51	GE - 6" RECESSED LED DOWNLIGHT W/ WHITE REFLECTOR & EMERGENCY BATTERY BACKUP.	D145-20-2V-10-EL R-D18S-M-PT-WT-AG	LED 4000K	UNIVERSAL (120V-277V)	IN CEILING
-		W2	8	GE - SURFACE MOUNTED LED 2" WALL WASHER	L-LW-HO-B-0-07-G2-6-40-V-Q-TM-WHITE	LED 4000K	UNIVERSAL (120V-277V)	SURFACE MOUNTED
-		W4	16	GE - SURFACE MOUNTED LED 4" WALL WASHER	L-LW-HO-B-0-07-G2-6-40-V-Q-TM-WHITE	LED 4000K	UNIVERSAL (120V-277V)	SURFACE MOUNTED
-		V	78	INDY 6" LED FIXTURE	L8-604X-G3	LED 4100K	SPECIFY 120V OR 277V	IN CEILING
-		VE	78	INDY 6" LED FIXTURE WITH EMERGENCY BATTERY & REMOTE TEST SWITCH MOUNTED IN VESTIBULE CEILING.	L8-604X-G3	LED 4100K	SPECIFY 120V OR 277V	IN CEILING
7		Z	9.1WFT	FINELITE - RECESSED LED 2" APERTURE SLOTLIGHT, 4" LENGTH. (26 AW)	HO-380K-277V	LED 4000K	UNIVERSAL (120V-277V)	IN CEILING
-		SA	208	LSI WALL MOUNTED HD FIXTURE WITH UPDOWN DISTRIBUTION, BLACK FINISH	HWSD-F-T-SPMH-F-277-BL	MH17SPS CLEAR	277V	10'-0"
-		SB	208	LSI WALL MOUNTED HD FIXTURE WITH FORWARD DOWN DISTRIBUTION & BLACK FINISH	HWSD-F-T-SMH-F-277-BL	MH17SPS CLEAR	277V	13'-0" AT DOCK DOORS 10'-0" EVERYWHERE ELSE
18		X	-	NAVILITE - LED EXIT SIGN, RED LTRS, WHT HSG, W/ BATTERY	NX18-100-1			
15		BP	-	NAVILITE - (2) HEAD EMERGENCY LIGHT W/BATTERY	N1WH	LAMPS INCLUDED	UNIVERSAL (120V-277V)	8'-0" AFF TO FIXTURE CENTER
3		E1	12	LIGHTALARMS - W/ BATTERY ROOF EMERGENCY WITH 4 LEDS INTEGRATED BATTERY, BLACK FINISH	CAM-SD-8-CN-T2	LAMPS INCLUDED	UNIVERSAL (120V-277V)	MOUNT 18" ABOVE DOOR

LIGHTING FIXTURE SCHEDULE NOTES:

- UNLESS OTHERWISE NOTED, ALL LIGHT FIXTURES SHALL BE 277VOLT
- COORDINATE ALL MOUNTING LOCATIONS AND HEIGHTS WITH ARCHITECTURAL DRAWINGS
- VENDORS & ELECTRICAL CONTRACTORS SHALL VERIFY QUANTITIES SHOWN ON SCHEDULE WITH LIGHT FIXTURES SHOWN ON PLANS.
- REFER TO RESPONSIBILITY SCHEDULE ON SHEET AND ORDERING LIGHT FIXTURES & LAMPS.
- ALL FIXTURES & OVERHEAD CONDUITS SHALL BE PROVIDED WITH NECESSARY SUPPLIES & CLIPS FOR INSTALLATION IN AN EARTHQUAKE ZONE. COORDINATE ALL REQUIREMENTS WITH NATIONAL, STATE & LOCAL CODES.
- SURFACE MOUNTED FIXTURES SHALL BE CONNECTED TO A JUNCTION BOX MOUNTED DIRECTLY ABOVE CEMENT JOIST SPACE. WHITE SUPPORT CORD WHERE PERMITTED BY AUTHORITY HAVING JURISDICTION. WIRING SHALL ONLY BE RUN IN A VERTICAL FASHION. SUPPORT CORD FROM FIXTURE AIR CRAFT CABLE WITH SHIELDED CABLES.
- TYPE V AND W FIXTURES ARE NOT TO BE ORDERED. ORDER LIGHT FIXTURES TO MATCH CIRCUIT VOLTAGE SHOWN ON LIGHTING SCHEDULE E-1.2.

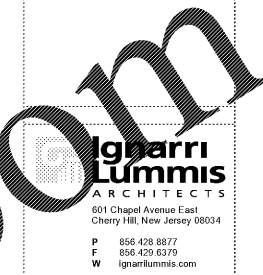


STOCK AREA OCCUPANCY SENSOR DETAILS

GENERAL ELECTRICAL INSTALLATION NOTES

- AFF - ABOVE FINISHED FLOOR UON - UNLESS OTHERWISE NOTED
AFG - ABOVE FINISHED GRADE ETR - EXISTING TO REMAIN
- CONDUIT PENETRATIONS: ALL PENETRATIONS THROUGH FIRE RATED WALLS, FLOORS, OR SHAFTS SHALL BE SEALED WITH LISTED AND APPROVED FIRE STOP TO MAINTAIN FIRE INTEGRITY OF STRUCTURE.
 - SURFACE MOUNTED CONDUIT OR WIREMOLD: USE OF SURFACE CONDUIT OR WIREMOLD IS NOT ALLOWED. IN AREAS WHERE CONCEALED CONDUIT CAN NOT BE INSTALLED, THE INSTALLATION & LAYOUT SHALL BE APPROVED BY BCF PROJECT MANAGER PRIOR TO ROUGH-IN. TYPE RACEWAY SHALL BE APPROVED BY AND COORDINATED WITH OWNER ON SITE PRIOR TO ROUGH-IN.
 - OWNER FURNISHED EQUIPMENT: EXACT WIRING AND CONNECTION REQUIREMENTS SHALL BE VERIFIED ON SITE WITH THE EQUIPMENT NAMEPLATE DATA. CONTRACTOR SHALL FURNISH THE PROPER NEMA RECEPTACLE, DISCONNECT REQUIREMENTS CONNECTIONS, AND CIRCUITING IN ACCORDANCE WITH THE EQUIPMENT SPECIFICATIONS.
 - SEE THE MECHANICAL PLUMBING DRAWINGS FOR THE EXACT LOCATION & ELECTRICAL REQUIREMENTS OF ALL MECHANICAL PLUMBING EQUIPMENT. PROVIDE REQUIRED LOCAL DISCONNECT SWITCHES & ADJUST SIZE OF CONDUIT, WIRING & CIRCUIT BREAKERS TO ACCOMMODATE ROUGH-IN.
 - REFLECTED CEILING PLANS: COORDINATE LOCATIONS OF ALL LIGHTING FIXTURES AND CEILING MOUNTED DEVICES WITH THE ARCHITECTURAL REFLECTED CEILING PLANS. COORDINATE LOCATIONS OF RECEPTACLES AND OTHER WALL MOUNTED DEVICES WITH THE ARCHITECTURAL WALL ELEVATIONS AND FINISHES.
 - ELECTRICAL CONTRACTOR SHALL BALANCE THE LOAD IN EACH PANEL.
 - CONTRACTOR SHALL VERIFY ALL DIMENSIONS PRIOR TO BEGINNING WORK.
 - MULTI-WIRE CIRCUITS (NEUTRAL SHARING) ARE PROHIBITED FROM THE ENTIRE PROJECT UNLESS WRITTEN PERMISSION IS OBTAINED FROM THE DESIGN ENGINEER PRIOR TO BIDDING.
 - ELECTRICAL CONTRACTOR SHALL WIRE ALL BATTERY BACKED BALLAST, SECURITY RECEPTACLES, SENSORS, EMERGENCY NIGHT LIGHTS AND EXIT SIGNS AHEAD OF ANY CONTROL EMERGENCY BALLAST CONNECTED, FED FROM THE SAME BRANCH CIRCUIT AS THAT SERVING THE NORMAL LIGHTING IN THE AREA SHALL HAVE AN EXTRA HOT CONDUCTOR INSTALLED TO BYPASS EXISTING MANAGEMENT OR LOCAL CONTROL.
 - DRAWINGS ARE DIAGRAMMATIC. PRIOR TO BIDDING VERIFY CONDITIONS, LOCATIONS AND REQUIREMENTS IN THE FIELD TO ENSURE A COMPLETE AND PROPERLY OPERATIONAL SYSTEM. EXAMINE ALL CONTRACT DWGS. FOR REQUIREMENTS AFFECTING WORK OF THE ELECTRICAL TRADE.
 - QUESTIONS REGARDING THESE DRAWINGS SHALL BE ADDRESSED TO THE ENGINEER PRIOR TO THE AWARDING OF THE CONTRACT. OTHERWISE THE ENGINEER'S INTERPRETATION OF THE MEANING AND INTENT OF THE DRAWINGS SHALL BE FINAL.
 - COORDINATE LOCATIONS AND MOUNTING HEIGHTS OF THE OUTLET BOXES, JUNCTION BOXES, AND EQUIPMENT DISCONNECTS TO AGREE WITH REQUIRED LOCATIONS OF FURNISHING OF EQUIPMENT SERVED. GENERALLY, RECEPTACLES SHALL BE MOUNTED 18" ABOVE FINISHED FLOOR AND LIGHT SWITCHES AT 48" ABOVE FINISHED FLOOR UNLESS OTHERWISE NOTED.

PETER M. HONEYFORD
PROFESSIONAL ENGINEER
VA BUSINESS ENTITY PERMIT NO. 427095483
VA LICENSE NUMBER 40228541
EXP: 11/30/2019



Date: _____
William J Fearon AIA
VA 017851

Burlington
BURLINGTON STORES, INC.
1830 ROUTE 130 NORTH
BURLINGTON, NEW JERSEY
08016

TENANT IMPROVEMENT FOR
MANASSAS, VA
STORE #188

SUDLEY TOWN PLAZA
7685 SUDLEY ROAD
MANASSAS, VA 20109

DISTRIBUTION: _____ DATE: _____
PERMIT SUBMISSION 02-22-2018

PROJECT INFO:
PROJECT NUMBER:
9333.10
DRAWN: PVP CHECKED: JMD
PPW

NOTE & COPYRIGHT:
CONTRACTOR SHALL VERIFY ALL DIMENSIONS AND CORRELATE DIMENSIONS PRIOR TO PROVIDING THE WORK DETAILED IN THESE DRAWINGS AND SHALL PROMPTLY NOTIFY THE ARCHITECT OF ANY DISCREPANCIES.
UNAUTHORIZED REPRODUCTION OR OTHER USE OF THIS DRAWING IS PROHIBITED.

DRAWING NAME & TITLE:
LIGHTING FIXTURE
SCHEDULE NOTES
AND DETAILS

E5.0

Order Plans @