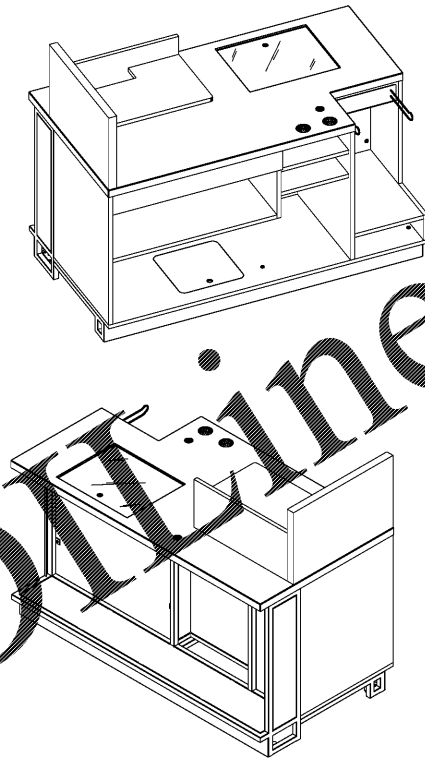
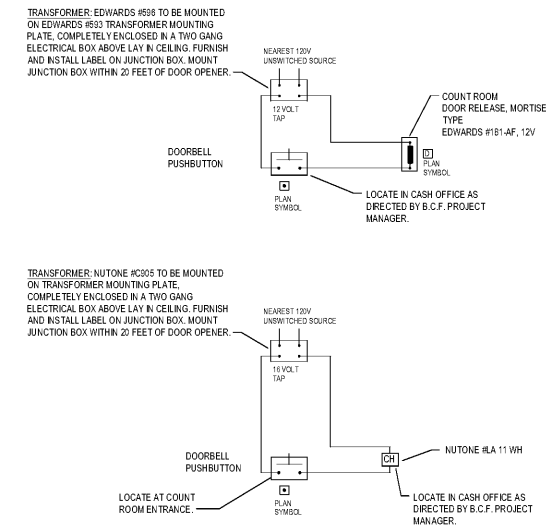


2 CASHWRAP - PLANS
NOT TO SCALE



1 CASHWRAP ISOMETRIC
NOT TO SCALE



3 CASH ROOM DOOR RELEASE/CHIME WIRING DIAGRAM
SCALE NOT TO SCALE

PETER M. HONEYFORD
PROFESSIONAL ENGINEER
VA BUSINESS ENTITY PERMIT NO. 42705483
VA LICENSE NUMBER 40228541
EXP: 11/30/2019



Date:
William J Fearon AIA
VA 017851

CLIENT & PROJECT

Burlington

BURLINGTON STORES, INC.

1830 ROUTE 130 NORTH
BURLINGTON, NEW JERSEY
08016

TENANT IMPROVEMENT FOR
MANASSAS, VA
STORE #188

SUDLEY TOWN PLAZA
7685 SUDLEY ROAD
MANASSAS, VA 20109

DISTRIBUTION: DATE:
PERMIT SUBMISSION 02-22-2018

PROJECT INFO:

PROJECT NUMBER:

9333.10

DRAWN: PPW

CHECKED: JMD

NOTE & COPYRIGHT:

CONTRACTOR SHALL VERIFY EXISTING CONDITIONS AND CORRELATE DIMENSIONS PRIOR TO PROVIDING THE WORK DETAILED IN THESE DRAWINGS AND SHALL PROMPTLY NOTIFY THE ARCHITECT OF ANY DISCREPANCIES. UNAUTHORIZED REPRODUCTION OR OTHER USE OF THIS DRAWING IS PROHIBITED.

DRAWING NAME & TITLE:

ELECTRICAL DETAILS

E3.0

Order Plans @ WWW.LDMLINE.COM