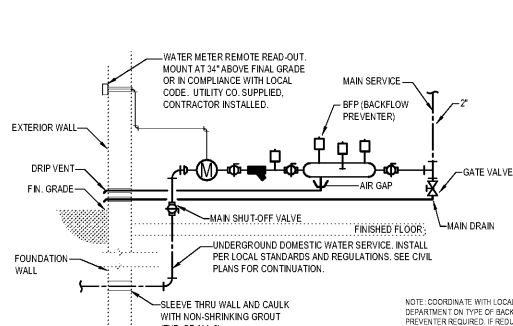
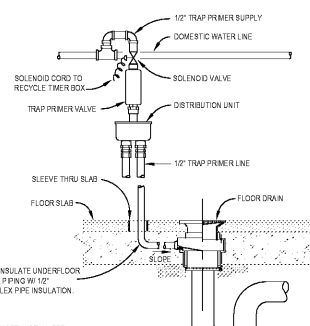


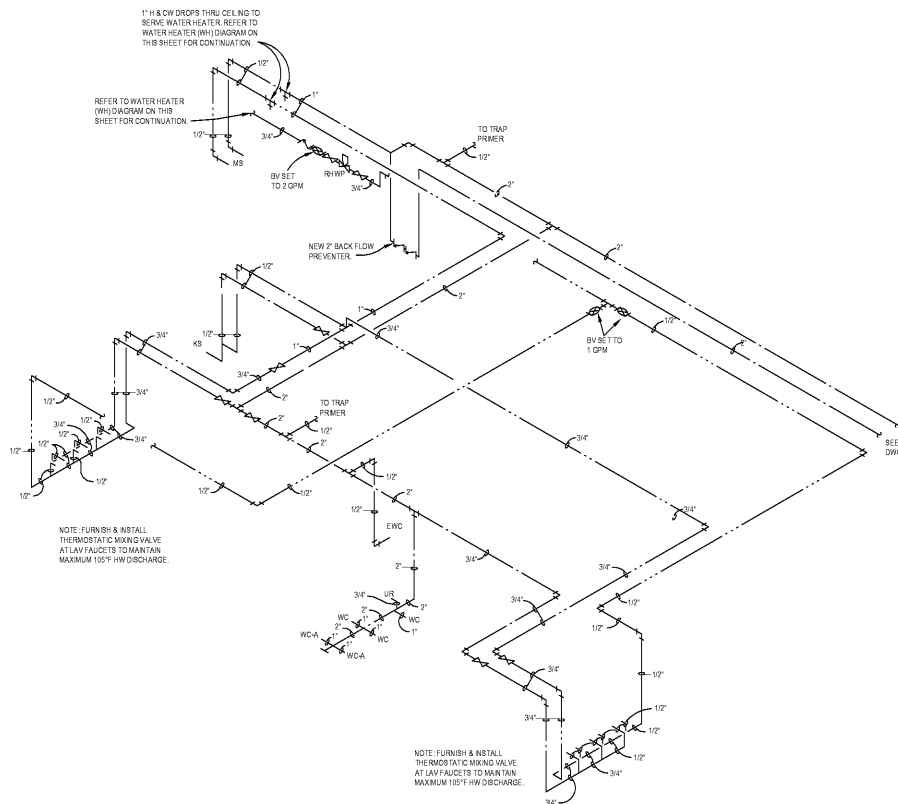
**1 WATER HEATER (WH) DIAGRAM**  
SCALE: NOT TO SCALE



**2 DOMESTIC WATER SERVICE DETAIL**  
SCALE: NOT TO SCALE

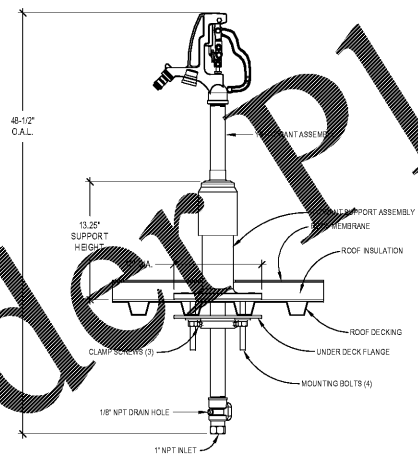


**3 TRAP SEAL PRIMER DETAIL**  
SCALE: NOT TO SCALE

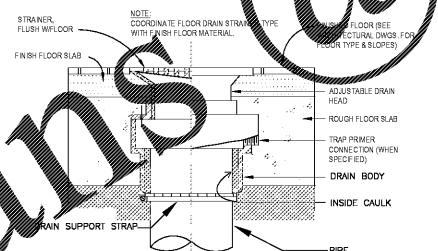


**5 SANITARY ISOMETRIC**  
SCALE: NOT TO SCALE

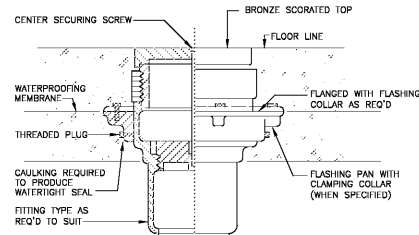
**4 DOMESTIC WATER ISOMETRIC**  
SCALE: NOT TO SCALE



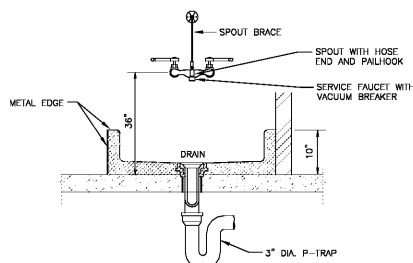
**9 FROSTPROOF ROOF HYDRANT (FPRH) DETAIL**  
SCALE: NOT TO SCALE



**7 FLOOR DRAIN**  
SCALE: NOT TO SCALE



**6 FLOOR CLEANOUT**  
SCALE: NOT TO SCALE



**8 MOP SINK DETAIL**  
SCALE: NOT TO SCALE

FIXTURE CONNECTION SCHEDULE										
TAG	DESCRIPTION	TRAP DRN	VENT	D.F.U.	W.S.F.U.	CONNECTIONS		MAX. WATER CONSUMP.		
						HOT	COLD			
WC	WATER CLOSET WALL MOUNTED FLUSH VALVE	4"	2"	4	5	-	1"	1.6 GALLON		
WC-A	WATER CLOSET ADA WALL MOUNTED FLUSH VALVE	4"	2"	4	5	-	1"	1.6 GALLON		
UR	URINAL	2"	1-1/2"	4	4	-	3/4"	1.0 GALLON		
LAV	LAVATORY HAND-CAPPED	1-1/2"	1-1/2"	1	1	1/2"	TEMPERED	0.5 GPM		
FD	3" FLOOR DRAIN	3"	1-1/2"	-	-	-	-	-		
FD-A	4" FLOOR DRAIN	4"	2"	-	-	-	-	-		
MS	MOP SINK	3"	1-1/2"	3	3	1/2"	-	3 GPM		
KS	SINGLE BOWL STAINLESS STEEL SINK	1-1/2"	1-1/2"	2	2	1/2"	-	1.0 GPM		
FCO	FLOOR CLEAN OUT	-	-	-	-	-	-	SEE PLAN		
WCO	WALL CLEAN OUT	-	-	-	-	-	-	SEE PLAN		
FWC	ELEC. WATER COOLER	1-1/2"	1-1/2"	0.75	-	-	3/8"	8.0 GPM		
SA	WATER HAMMER ARRESTOR (LEADER DESIGNATES SIZE PER STANDARD)	-	-	-	-	-	1/2"	1/2" - 1"		
BFP	BACKFLOW PREVENTER	-	-	-	-	-	-	SEE PLAN		

PLUMBING FIXTURE SCHEDULE	
MARK	DESCRIPTION
WC	AMERICAN STANDARD ELONGATED WATER SAVER "A" WALL 2257.101 WALL HUNG VITREOUS CHINA TOILET, FULLY GLAZED 2" TRAPWAY, DIRECT FEED SIPHON JET ACTION FLUSH VALVE (1.6 GAL PER FLUSH), 1-1/2" TOP SPUD, 2 CHINA BOLT CAPS, FLUSH VALVE SLOAN NO. 111-1.6 ES-5 TWO EXPOSED HARDWIRED AUTOMATIC SENSOR ACTIVATED FLUSHMETER VALVE WITH TRUE MECHANICAL OVERRIDE, COMPLETE WITH TRANSFORMER (TEL-154), MOUNTING PLATE, MOUNTING BOX, ETC., COORDINATE WITH TRUE MECHANICAL CONTRACTOR, COORDINATE WITH MANUFACTURER FOR ADDITIONAL ACCESSORIES FOR PROPER INSTALLATION. INSTALL PER MANUFACTURER'S REQUIREMENTS, AND AMERICAN STANDARD NO. 5901.100SS WHITE FLONGATED OPEN FRONT SEAT LESS COVER AND SELF-SUSTAINING CHECK HINGE. FURNISH AND INSTALL WALL HUNG WATER CLOSET SUPPORT CARRIER PER APPLICATION COMPLETE WITH BOLT CAPS. MOUNT AT ELEVATION INDICATED ON THE ARCHITECTURAL DRAWINGS.
WC-A	AMERICAN STANDARD ELONGATED WATER SAVER "ADA" WALL 2257.101 (ADA COMPLIANT) WALL HUNG VITREOUS CHINA TOILET, FULLY GLAZED 2" TRAPWAY, DIRECT FEED SIPHON JET ACTION FLUSH VALVE (1.6 GAL PER FLUSH), 1-1/2" TOP SPUD, 2 CHINA BOLT CAPS, FLUSH VALVE SLOAN NO. 111-1.6 ES-5 TWO EXPOSED HARDWIRED AUTOMATIC SENSOR ACTIVATED FLUSHMETER VALVE WITH TRUE MECHANICAL OVERRIDE, COMPLETE WITH TRANSFORMER (TEL-154), MOUNTING PLATE, MOUNTING BOX, ETC., COORDINATE WITH TRUE MECHANICAL CONTRACTOR, COORDINATE WITH MANUFACTURER FOR ADDITIONAL ACCESSORIES FOR PROPER INSTALLATION. INSTALL PER MANUFACTURER'S REQUIREMENTS, AND AMERICAN STANDARD NO. 5901.100SS WHITE FLONGATED OPEN FRONT SEAT LESS COVER AND SELF-SUSTAINING CHECK HINGE. FURNISH AND INSTALL WALL HUNG WATER CLOSET SUPPORT CARRIER PER APPLICATION COMPLETE WITH BOLT CAPS. MOUNT AT ELEVATION AS INDICATED ON THE ARCHITECTURAL DRAWINGS.
UR	AMERICAN STANDARD - MODEL 6590.001 - VITREOUS CHINA, WALL MOUNTED URINAL WITH TOP SPUD, 1.0 GPF, FLUSH VALVE SLOAN NO. 188-1.0 ES-5 TWO EXPOSED SENSOR ACTIVATED FLUSHMETER VALVE, HARDWIRED AUTOMATIC SENSOR WITH TRUE MECHANICAL OVERRIDE, COMPLETE WITH TRANSFORMER (TEL-154), MOUNTING PLATE, MOUNTING BOX, ETC., COORDINATE WITH ELECTRICAL CONTRACTOR FOR POWER REQUIREMENTS, COORDINATE WITH MANUFACTURER FOR ADDITIONAL ACCESSORIES FOR PROPER INSTALLATION. INSTALL PER MANUFACTURER'S REQUIREMENTS. PROVIDE COMPLETE WITH FOOTED CHAIR CARRIER. REFER TO ARCHITECTURAL DRAWINGS FOR MOUNTING HEIGHT.
LAV	LAVATORY TO BE INTEGRAL WITH COUNTERTOP. <ul style="list-style-type: none"> <li>FAUCET - SLOAN - MODEL NO. EBF-650-BT - HARDWIRED ELECTRONIC SENSOR FAUCET COMPLETE WITH 110VAC/6 VDC PLUG IN ADAPTOR (#FSP-8), CONNECTING WIRE TO POWER CONVERTER, SOLENOID VALVE, CONTROL MODULE, A SINGLE SUPPLY HOSE, 0.5 GPM VANDAL RESISTANT SPRAY HEAD, 4" CENTERS, SLOAN BELOW DECK THERMOSTATIC MIXING VALVE (EBD) FOR SINGLE FAUCET, AND SUPPLY HOSES FOR MIXING VALVE. ALSO INCLUDED ARE 4 "AA" BATTERIES THAT PROVIDE BATTERY BACKUP TO THE FAUCET DURING POWER OUTAGES. COORDINATE WITH MANUFACTURER FOR ADDITIONAL ACCESSORIES PER MANUFACTURER'S INSTALLATION. COORDINATE WITH ELECTRICAL CONTRACTOR FOR POWER REQUIREMENTS AND TO PROVIDE 120V GFI OUTLET. PROVIDE WITH CHROME OFFSET GRID DRAIN WITH OVERFLOW, CHROME TRAP WITH CLEANOUT AND CHROME SUPPLIES WITH WHEEL STOPS. INSULATE WASTE AND WATER LINES WITH TUBEROX "LAW-GAURD" 2" INSULATION KIT WITH WHITE FINISH TO CONFORM WITH ADA REQUIREMENTS. NOTE: MIXING VALVE TO BE ASSE 1070 COMPLIANT.</li> </ul>
FWC	WATTS TAYLOR MODEL HAC8758L-0 ADA SELF-CONTAINED, 1/2" ADA WALL HUNG ELECTRIC REFRIGERATED WATER COOLER WITH SELF-CLOSING FAST-TOUCH CONTROL ON FRONT AND BOTH RIGHT AND LEFT SIDE, ADA COMPLIANT, AND NO LEAD DESIGN, 8 GPM AT CHILLING CAPACITY OF 90 DEG. F DRINKING WATER, BASED UPON 80 DEG. F INLET WATER AND 90 DEG. F AMBIENT. ELECTRICAL DATA: 370 WATTED MATS, 4.0 FLA, 115V, 1 PHASE, 50 HZ. SEE ARCHITECTURAL DRAWINGS FOR MOUNTING HEIGHT AND SPOUT.
KS	JUST - MODEL SL-ADA-1921-A-GR, 6.5" DEEP, 3 FAUCET HOLE, 1.8 GAUGE SINGLE BOWL, SELF-RIMMING STAINLESS STEEL SINK WITH NO. J-ADA-35 STAINLESS STEEL DRAIN ASSEMBLY WITH BASKET STRAINER AND 1-1/2" TAPPIECE, AND JUST NO. J-900 DRAINAGE SINGLE LEVER FAUCET WITH 1.5 GPM FLOW REGULATOR AND POLISHED CHROME FINISH. PROVIDE COMPLETE WITH 17 GAUGE CHROME TRAP WITH CLEANOUT AND CHROME ANGLE SUPPLIES WITH LOOSE KEY STOPS. INSULATE WASTE AND WATER LINES WITH TUBEROX "LAW-GAURD" 2" INSULATION KIT WITH WHITE FINISH TO CONFORM WITH ADA REQUIREMENTS.
MS	FLAT MODEL MSB-2424, 24" x 24" x 10" MOLDED STONE BASIN COMPLETE WITH NO. 1453-BB DRAIN AND STRAINER, NO. 833-AA SILICONE SEALANT, STAINLESS STEEL WALL GUARDS, (2) NO. 7-77-AA VINYL BUMPER GUARD AND NO. 850-AA SCRAPER FAUCET WITH VACUUM BREAKER, INTEGRAL STOPS, ADJUSTABLE WALL BRACE, PAIL HOOK AND 3/4" HOSE THREAD ON SPOUT, NO. 852-AA HOSE AND HOSE BRACKET, NO. 888-CC MOP HANGER. MOUNT FAUCET ON WALL 30" ABOVE FLOOR.
FD	JOSAM TYPE 30000-8A ROUND CAST IRON FLOOR DRAIN WITH 8" DIA. NIKALOY ADJUSTABLE STRAINER AND 1/2" TRAP PRIMER CONNECTION. FLOOR DRAIN SHALL BE FORMED AROUND TO PREVENT CONCRETE FROM TOUCHING AT POURING OF SLAB. FLOOR DRAIN SHALL BE GROUTED AFTER ADJUSTMENT FOR ELEVATION TO FINISH FLOOR AND TO RECEIVE FINISH FLOOR MATERIALS. DRAIN IN FLOOR HAVING MEMBRANE WATERPROOFING SHALL BE COMPLETE WITH FLASHING CLAMP DEVICE TO FIRMLY SECURE MEMBRANE TO DRAIN BODY.
FD-A	JOSAM TYPE 30000-9T CAST IRON FLOOR DRAIN WITH 9.5" SQUARE NIKALOY ADJUSTABLE STRAINER COMPLETE WITH HINGED GRATE, STAINLESS STEEL BASKET AND 1/2" TRAP PRIMER CONNECTION. FLOOR DRAIN SHALL BE FORMED AROUND TO PREVENT CONCRETE FROM TOUCHING AT POURING OF SLAB. FLOOR DRAIN SHALL BE GROUTED AFTER ADJUSTMENT FOR ELEVATION TO FINISH FLOOR AND TO RECEIVE FINISH FLOOR MATERIALS. DRAIN IN FLOOR HAVING MEMBRANE WATERPROOFING SHALL BE COMPLETE WITH FLASHING CLAMP DEVICE TO FIRMLY SECURE MEMBRANE TO DRAIN BODY.
FCO	JOSAM 55000-1-41 SERIES COATED CAST IRON KLEINERON II LEVELLEZ FLOOR CLEANOUT, INTERNAL ABS CLEANOUT PLUG, CLAMP RING AND FLANGE, ADJUSTABLE CAST IRON HOUSING WITH MEDIUM-DUTY SCORATED SECURED ROUND SATIN NIKALOY COVER.
WCO	CLEANOUT WITH CLEANOUT PLUG COMPLETE WITH JOSAM 58630 SERIES SQUARE CAST NIKALOY ACCESS FRAME WITH ANCHOR LUGS AND SATIN SCORATED SECURED HINGED COVER.
SA	WATTS SERIES LF15M2 PRE-CHARGED COPPER SHOCK ARRESTOR WITH POLYPROPYLENE PISTON, EPDM O-RING SEALS.
BFP	WATTS LF009-QT-S REDUCED PRESSURE BACKFLOW PREVENTER WITH STRAINER, QUARTER TURN BALL VALVES.
TP	PRECISION PLUMBING PRODUCTS MP-500-115V MINI-PRIME ELECTRONIC TRAP PRIMING MANIFOLD ASSEMBLY CONSISTING OF SUB-MINIATURE SOLENOID VALVE WITH DU-4-500 DISTRIBUTION UNIT FOR MULTIPLE FLOOR DRAINS, 115 VOLT, TRAP PRIMER IS COMPLETE WITH PHYSICAL AIR GAP, 6" ELECTRICAL CORD, RECYCLE TIMER BOX, 1/2" MALE NPT INLET OPENING AND 1/2" FEMALE NPT OUTLET. REFER TO TRAP SEAL PRIMER DETAIL ON THIS SHEET FOR ADDITIONAL INFORMATION.
FPRH	WOODFORD MODEL RH12-MS NON-FREEZE SELF DRAINING ROOF HYDRANT WITH DOUBLE CHECK BACKFLOW PREVENTER, HOSE CONNECTION BACKFLOW PREVENTER SHALL BE MODEL 50HF WITH 3/4" HOSE CONNECTION, COMPLETE WITH 1" N.P.T. INLET WITH 3/4" HOSE CONNECTION, ROD GUIDE, ADJUSTABLE LINE ONE PEECE WARE, FLOW PLUNGER, INLET WITH MANUFACTURER'S MOUNTING SYSTEM COMPLETE WITH CAST IRON HYDRANT SUPPORT, CAST IRON UNDERBOX, FLANGE, WALL MOUNTING FLOW BOOT, 2" SHIM IF NEEDED FOR INSTALLATION ON PITCHED ROOFS. COORDINATE WITH ROOFING CONTRACTOR AND GENERAL CONTRACTOR. INSTALL PER MANUFACTURER'S INSTALLATION REQUIREMENTS.
FPHB	J.R. SMITH MODEL 35000T FROST PROOF HOSE BIBB WITH VANDAL PROOF VACUUM BREAKER, 3/4" MALE NPT INLET AND 3/4" HOSE CONNECTION.
RHW	B & G MODEL PL-30B IN-LINE, ALL BRONZE RECIRCULATING HOT WATER PUMP, CAPACITY: 2.0 GPM @ 23' HD, 1/12 HP, 1.4 FLA, 115V, 1 PHASE, 2650 RPM.

NOTES:  
 1. PLUMBING CONTRACTOR SHALL COORDINATE FINAL MOUNTING HEIGHTS AND LOCATIONS OF PLUMBING FIXTURES WITH ARCHITECTURAL DRAWINGS AND GENERAL CONTRACTOR PRIOR TO STARTING ANY WORK.  
 2. PLUMBING FIXTURES SHALL COMPLY WITH ADA REQUIREMENTS ONCE INSTALLATION IS COMPLETE.

WATER HEATER SCHEDULE											
TAG	LOCATION	RECOVERY GPM @ 80°F	CAP IN US GALS.	TEMPERATURE IN °F	OUT °F	GAS MBH	ELECTRIC VOLTS	PHASE	WATTS	MANUFACTURER MODEL #	ACCESSORIES
WH	JANITORS CLOSET - MOUNTED ABOVE MOP SINK SEE DETAIL	15	19	80	130	-	277	1	3000	BRADFORD WHITE LE1203-1	1) TRAP RELIEF VALVE 2) TRAP PAN

NOTE: REFER TO WATER HEATER (WH) DIAGRAM ON THIS SHEET FOR ADDITIONAL INFORMATION.

PETER M. HONEYFORD  
 PROFESSIONAL ENGINEER  
 VA BUSINESS ENTITY PERMIT NO. 427059483  
 VA LICENSE NUMBER 40228541  
 EXP: 11/30/2019

**PMH ASSOCIATES, INC.**  
 PROFESSIONAL ENGINEERING, ARCHITECTURE, INTERIOR DESIGN  
 1271 N. GERRARD ST. STE. B WOODBRIDGE, VA 22191  
 (800) 231-1144 (703) 421-0721 (703) 421-0722 FAX (703) 421-0723  
 1370 W. LINDEN ST. STE. 1100 CHARLOTTE, NC 28203  
 404-484-4444 FAX 404-484-4444 (703) 421-0723 FAX (703) 421-0724

**Ignarri Lummis ARCHITECTS**  
 601 Chapel Avenue East  
 Cherry Hill, New Jersey 08034  
 P 856 428 8877  
 F 856 429 6379  
 W ignarrilummis.com

Date: \_\_\_\_\_  
 William J Fearon AIA  
 VA 017851  
**CLIENT & PROJECT**  
**Burlington**  
 BURLINGTON STORES, INC.  
 1830 ROUTE 130 NORTH  
 BURLINGTON, NEW JERSEY  
 08016

**TENANT IMPROVEMENT FOR**  
**MANASSAS, VA**  
**STORE #188**  
 SUDLEY TOWN PLAZA  
 7685 SUDLEY ROAD  
 MANASSAS, VA 20109

DISTRIBUTION:	DATE:
PERMIT SUBMISSION	02-22-2018

**PROJECT INFO:**  
 PROJECT NUMBER: 9333.10  
 DRAWN: PPW  
 CHECKED: JMD  
**NOTE & COPYRIGHT:**  
 CONTRACTOR SHALL VERIFY EXISTING CONDITIONS AND CORRELATE DIMENSIONS PRIOR TO PROVIDING THE WORK DETAILED IN THESE DRAWINGS AND SHALL PROMPTLY NOTIFY THE ARCHITECT OF ANY DISCREPANCIES. UNAUTHORIZED REPRODUCTION OR OTHER USE OF THIS DRAWING IS PROHIBITED.

**DRAWING NAME & TITLE:**  
 PLUMBING SCHEDULES, NOTES & DETAILS  
**P1.1**

Order Plans @