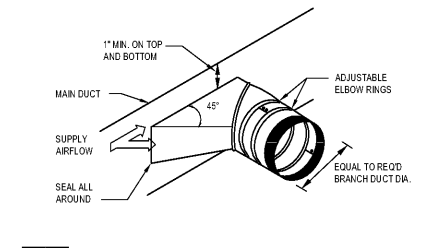
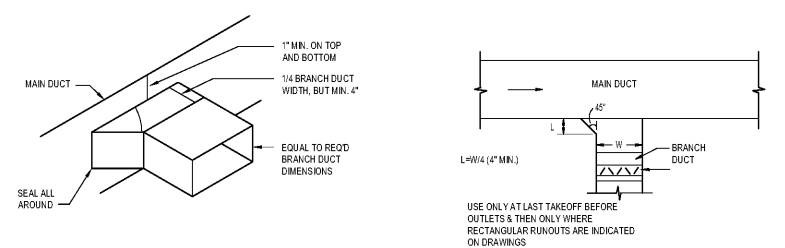


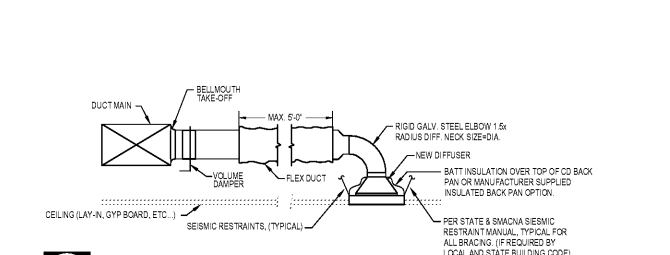
1 RETURN DUCT DETAIL
SCALE: NOT TO SCALE



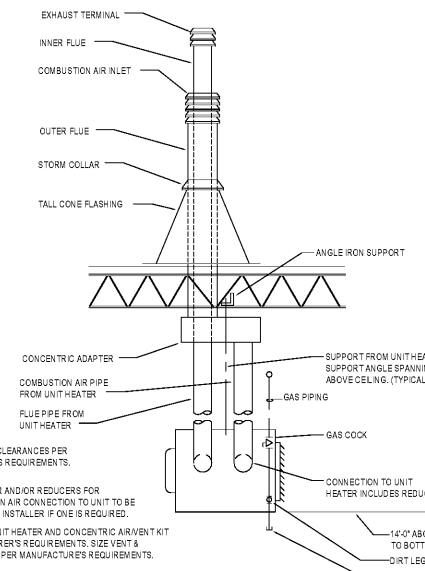
5 TYPICAL BRANCH TAKE-OFF DETAILS
SCALE: NOT TO SCALE



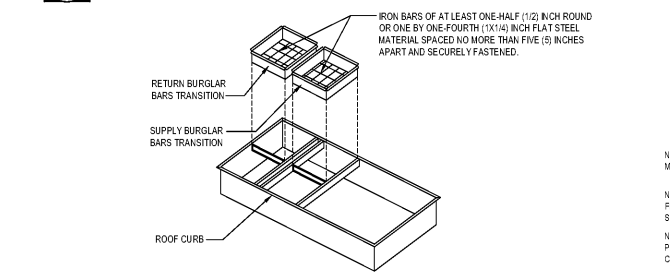
6 DETAIL- OPEN CEILING RETURN
SCALE: NOT TO SCALE



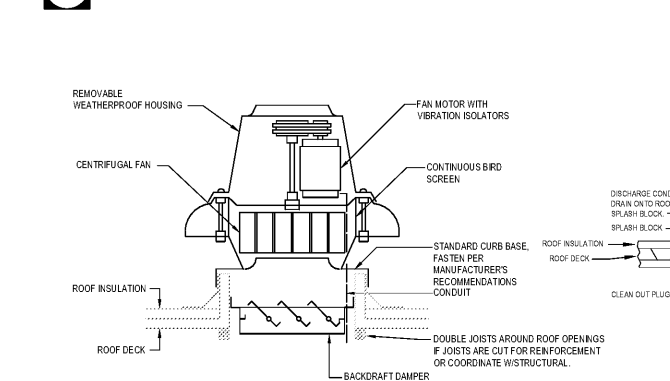
2 SUPPLY DUCT DETAIL
SCALE: NOT TO SCALE



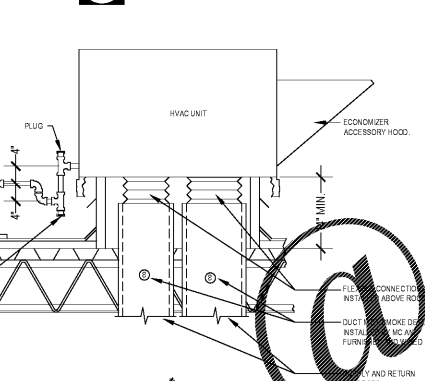
7 GAS UNIT HEATER DETAIL
SCALE: NOT TO SCALE



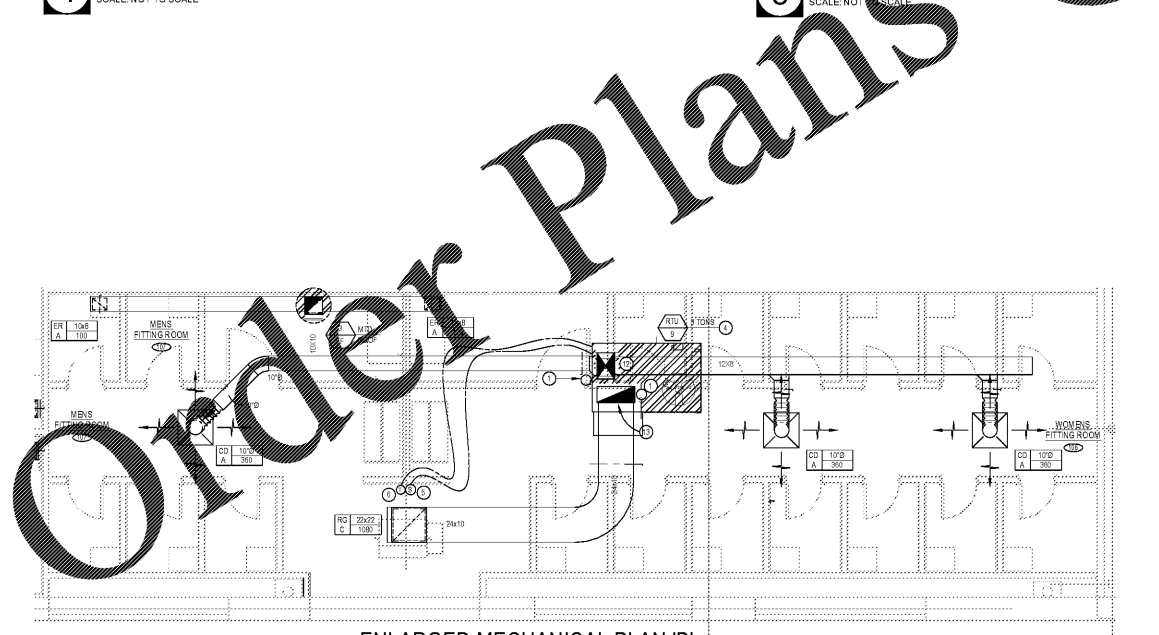
3 DETAIL-RTU BURGLAR BARS
SCALE: NOT TO SCALE



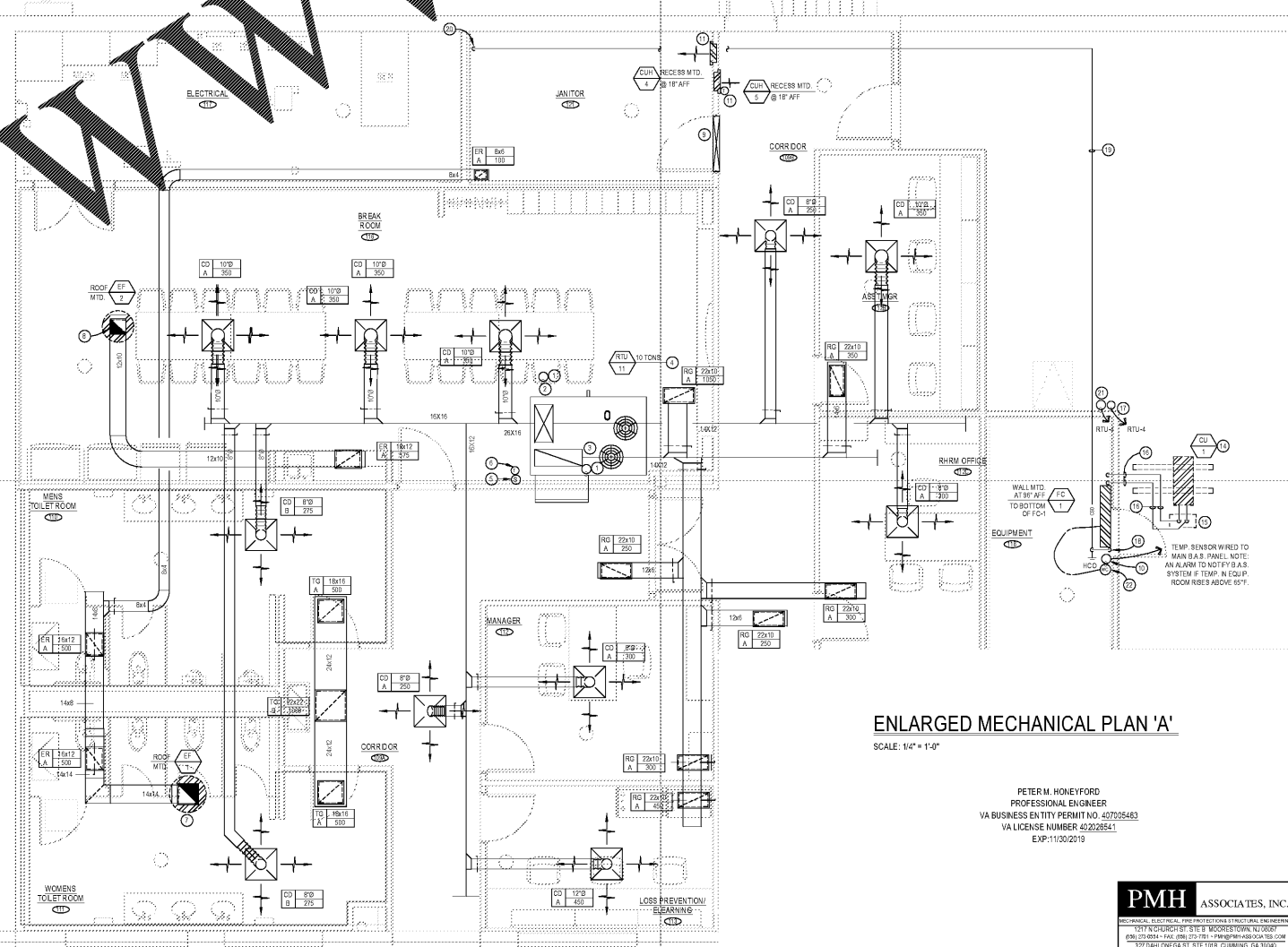
4 EXHAUST FAN DETAIL
SCALE: NOT TO SCALE



8 ROOFTOP UNIT DETAIL
SCALE: NOT TO SCALE



ENLARGED MECHANICAL PLAN 'B'
SCALE: 1/4" = 1'-0"



ENLARGED MECHANICAL PLAN 'A'
SCALE: 1/4" = 1'-0"

PETER M. HONEYFORD
PROFESSIONAL ENGINEER
VA BUSINESS ENTITY PERMIT NO. 427056483
VA LICENSE NUMBER 40222651
EXP: 11/30/2019



- MECHANICAL TAG NOTES:**
- DUCT MOUNTED SMOKE DETECTOR TO BE INSTALLED IN BOTH SUPPLY & RETURN AIR DUCT BY MECHANICAL CONTRACTOR. ELECTRICAL CONTRACTOR TO FURNISH & WIRE DUCT MOUNTED SMOKE DETECTORS.
 - DROP FULL SIZE SUPPLY AIR DUCT THRU ROOF FROM RTU
 - DROP FULL SIZE RETURN AIR DUCT THRU ROOF FROM RTU
 - DUCT MOUNTED TEMPERATURE SENSOR TO BE FURNISHED AND WIRED BY ELECTRICAL CONTRACTOR AND INSTALLED BY MECHANICAL CONTRACTOR IN SUPPLY AIR DUCT DROP FROM RTU.
 - THERMOSTATIC SENSOR TO BE FURNISHED BY MECHANICAL CONTRACTOR AND INSTALLED AND WIRED BY B.A.S. PROVIDER ON COLUMN OR WALL 5'-0" A.F.F. B.A.S. PROVIDER SHALL LABEL SENSOR WITH RTU #.
 - LOCATION OF TEMPORARY THERMOSTAT ON COLUMN OR WALL 5'-0" A.F.F. BY MECHANICAL CONTRACTOR. MECHANICAL CONTRACTOR SHALL LABEL THERMOSTAT WITH RTU #.
 - DROP FULL SIZE EXHAUST AIR DUCT THRU ROOF FROM EXHAUST FAN AND TRANSITION TO 14x14 EXHAUST AIR DUCT AT UNDERSIDE OF ROOF DECK.
 - DROP FULL SIZE EXHAUST AIR DUCT THRU ROOF FROM EXHAUST FAN AND TRANSITION TO 12x10 EXHAUST AIR DUCT AT UNDERSIDE OF ROOF DECK.
 - GENERAL CONTRACTOR SHALL UNDERCUT DOOR BY 1".
 - THERMOSTATIC SENSOR TO BE FURNISHED, INSTALLED AND WIRED BY B.A.S. PROVIDER ON COLUMN OR WALL 5'-0" A.F.F.
 - HEATING THERMOSTAT AT CABINET UNIT HEATER. SET TO OPERATE WHEN ROOM TEMPERATURE IS BELOW 70° F.
 - DROP FULL SIZE SUPPLY AIR DUCT THRU ROOF FROM RTU AND TRANSITION TO 16x12 SUPPLY AIR DUCT IN DROP BELOW ROOF DECK.
 - DROP FULL SIZE RETURN AIR DUCT THRU ROOF FROM RTU AND TRANSITION TO 16x10 RETURN AIR DUCT.
 - MECHANICAL CONTRACTOR TO FURNISH AND INSTALL (WITH ROOFING CONTRACTOR) CONDENSING UNIT SUPPORT PIPING SPANNING 4 MIN. OF TYPE 304 STAINLESS STEEL JOIST WITH ROOFING CONTRACTOR TO COORDINATE WITH ROOFING CONTRACTOR FOR TYPE OF RAILING REQUIRED. MECHANICAL CONTRACTOR TO MOUNT CONDENSING UNIT LEVEL IN BOTH DIRECTIONS.
 - MECHANICAL CONTRACTOR TO FURNISH AND INSTALL PATE PRE-FAB INSULATED ROOF CURB MODEL PCA-2 WITH PCC-1 CAP WITH (4) BOLTS. MECHANICAL CONTRACTOR TO COORDINATE WITH ROOFING CONTRACTOR FOR FLASHING & FLASHING ALL CURBS, SUPPORTS, ETC.
 - REFRIGERANT LINES FROM EACH CU-1. RUN AS HIGH AS POSSIBLE. CONTRACTOR TO VERIFY SIZE FOR LENGTH OF RUN AND PER MANUFACTURER SPECIFICATIONS. REFRIGERANT LINES SHALL BE BRAZED.
 - LOCATION OF TEMPORARY THERMOSTAT ON COLUMN OR WALL 7'-0" A.F.F. BY MECHANICAL CONTRACTOR. MECHANICAL CONTRACTOR SHALL LABEL THERMOSTAT WITH RTU #.
 - CONDENSATE DRAIN TO ABOVE CEILING SPACE WITH CONDENSATE PUMP AND RUN HORIZONTAL AS HIGH AS POSSIBLE BELOW ROOF DECK.
 - RUN 1" COOLING CONDENSATE DRAIN (GRAVITY) AS HIGH AS POSSIBLE BELOW ROOF DECK IN JOIST SPACE AT 1/8" PER 1'-0" SLOPE COMPLETE WITH 1" THICK ARMAFLEX INSULATION (TYPICAL).
 - DROP 1" CONDENSATE DRAIN PIPING DOWN ALONG WALL AND SAFEWASTE WITH A 2" AIR GAP TO MOP SINK.
 - THERMOSTATIC SENSOR TO BE FURNISHED BY MECHANICAL CONTRACTOR AND INSTALLED AND WIRED BY B.A.S. PROVIDER ON COLUMN OR WALL 7'-0" A.F.F. B.A.S. PROVIDER SHALL LABEL SENSOR WITH RTU #.
 - WIRED WALL MOUNTED CONTROLLER ON WALL 4'-0" A.F.F. BY MECHANICAL CONTRACTOR. COOLING SETPOINT TO BE SET AT 82° F.

Ignarri Lummis ARCHITECTS
601 Chapel Avenue East
Cherry Hill, New Jersey 08034
P 856.428.8877
F 856.429.6379
W ignarrilummis.com

Date: _____
William J Fearon AIA
VA 017651

CLIENT & PROJECT

Burlington
BURLINGTON STORES, INC.
1830 ROUTE 130 NORTH
BURLINGTON, NEW JERSEY
08016

**TENANT IMPROVEMENT FOR
MANASSAS, VA
STORE #188**

SUDLEY TOWN PLAZA
7685 SUDLEY ROAD
MANASSAS, VA 20109

DISTRIBUTION: _____ **DATE:** _____
PERMIT SUBMISSION 02-22-2018

PROJECT INFO:
PROJECT NUMBER: 9333.10
DRAWN: PPW
CHECKED: JMD

NOTE & COPYRIGHT:
CONTRACTOR SHALL VERIFY ALL CONDITIONS AND CORRELATE DIMENSIONS PRIOR TO PROVIDING THE WORK DETAILED IN THESE DRAWINGS AND SHALL PROMPTLY NOTIFY THE ARCHITECT OF ANY DISCREPANCIES.
UNAUTHORIZED REPRODUCTION OR OTHER USE OF THIS DRAWING IS PROHIBITED.

DRAWING NAME & TITLE:
ENLARGED MECHANICAL PLANS
M1.1