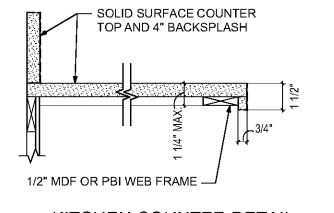


30 REGISTER DRAWER PASS-THRU WINDOW
SCALE: 1/2" = 1'-0"

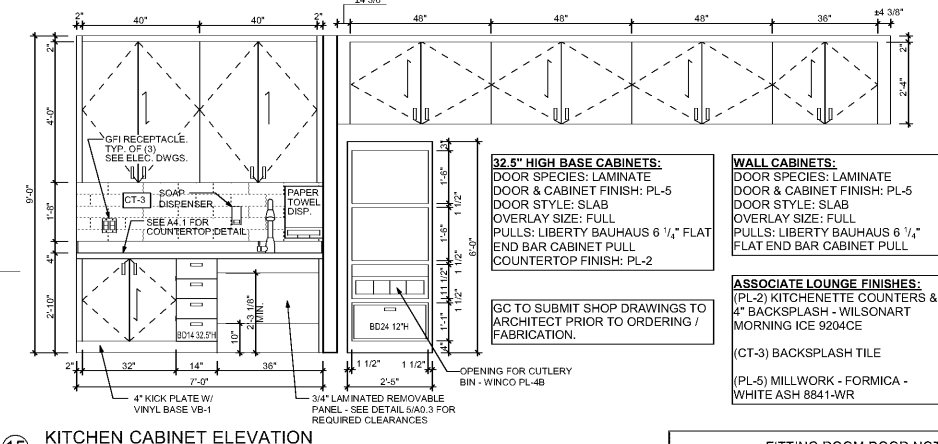
28 GYP. BD. CONTROL JOINT LOCATIONS
SCALE: 1/2" = 1'-0"

27 GYP. BD. EXPANSION JOINT
SCALE: 3/4" = 1'-0"

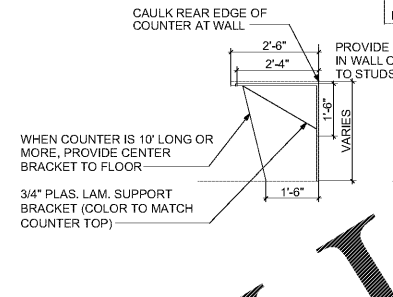
25 SINK DETAILS
SCALE: 1/2" = 1'-0"



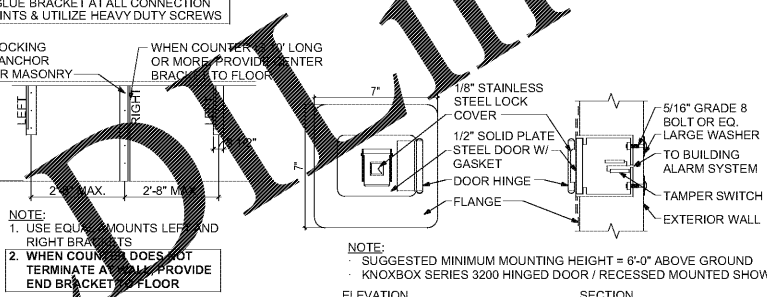
24 KITCHEN COUNTER DETAIL
SCALE: 3/4" = 1'-0"



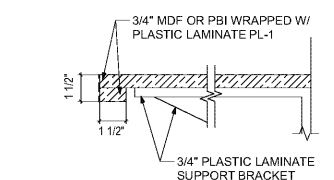
15 KITCHEN CABINET ELEVATION
SCALE: 1/2" = 1'-0"



20 OFFICE COUNTER BRACKET DETAIL
SCALE: 1/2" = 1'-0"



19 KNOX BOX DETAIL
SCALE: 3/4" = 1'-0"

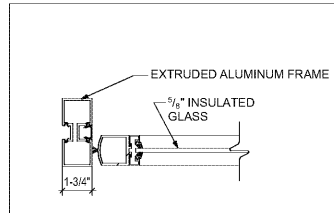


18 COUNTER NOSING DETAIL
SCALE: 3/4" = 1'-0"

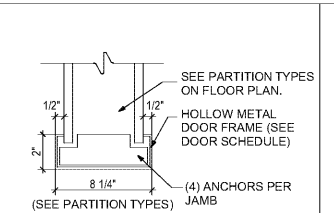
FITTING ROOM DOOR NOTES

CODED NOTES:

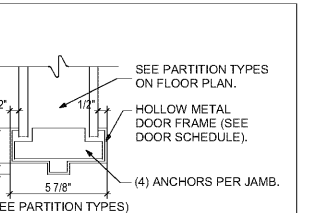
- 3/4" x 2 1/4" SANITARY TRIM
- 3/4" x 3/4" JAMB
- 1 1/8" THICK RAILS AND STILES. SEE ELEVATIONS THIS SHEET FOR ADDITIONAL INFORMATION.
- 3 1/2" BUTT HINGES
- 5/8" x 8 1/4" SANITARY STOP
- 2x4 FIRE RATED WOOD BLOCKING AS REQUIRED FOR ROUGH OPENING.
- 1 1/4" MDF PANEL SET INTO 1" DEEP MORTISE IN DOOR STYLES AND RAILS
- STANLEY SIERRA GRADE 2 CCL241623 PRIVACY LATCH HANDLE



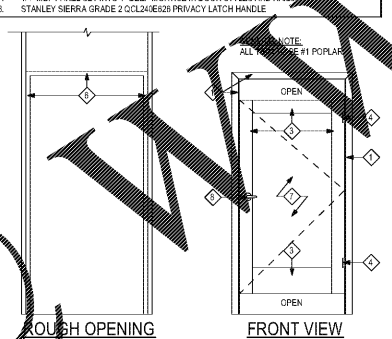
1 ENTRANCE DOORS



2 HOLLOW METAL ELIASON FRAME

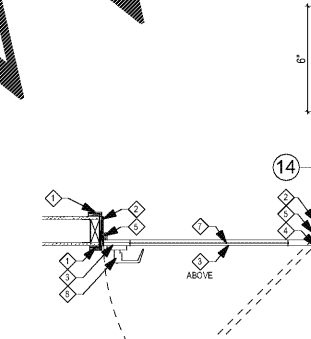


3 HOLLOW METAL FRAME

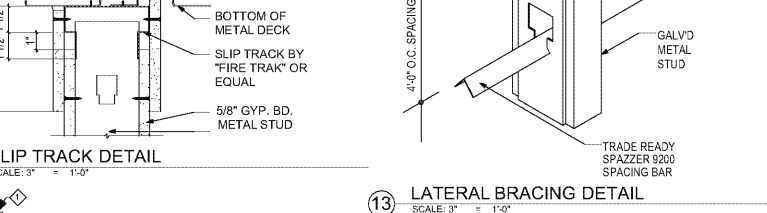


ACCESSIBLE DOOR FRONT VIEW

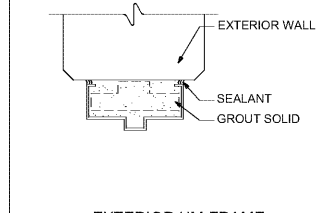
ACCESSIBLE DOOR PLAN



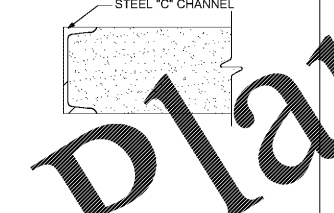
14 SLIP TRACK DETAIL
SCALE: 3/4" = 1'-0"



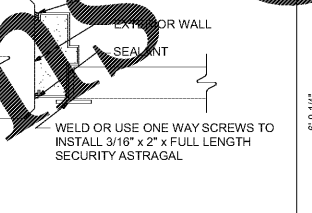
13 LATERAL BRACING DETAIL
SCALE: 3/4" = 1'-0"



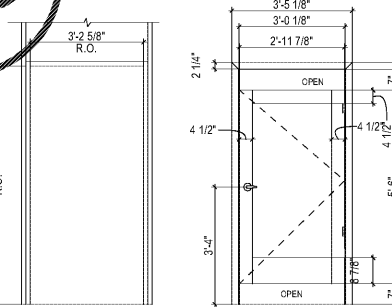
4 EXTERIOR HM FRAME



5 OVERHEAD & CONNECTOR FRAME

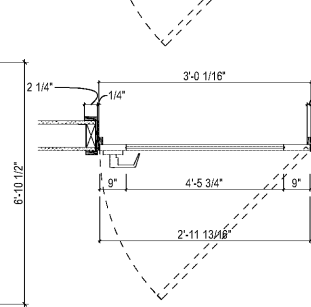


6 SECURITY ASTRAGAL



STANDARD DOOR FRONT VIEW

STANDARD DOOR PLAN

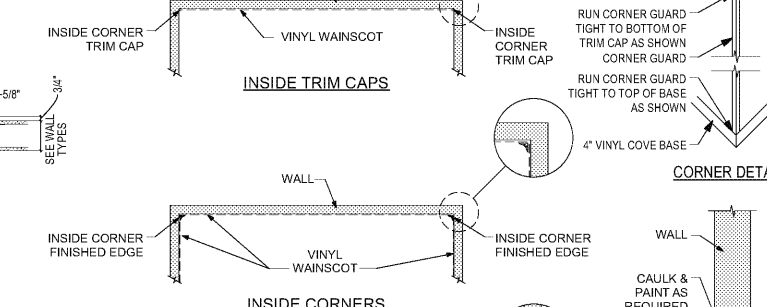


INSIDE TRIM CAPS

INSIDE CORNERS

OUTSIDE TRIM CAPS

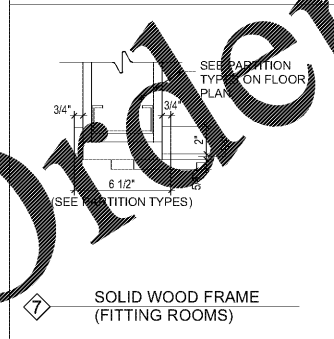
OUTSIDE CORNERS



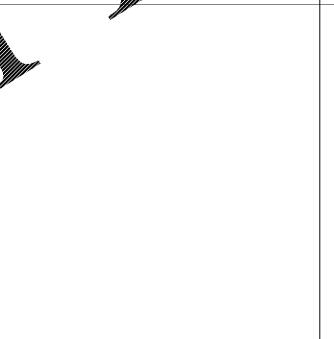
INSIDE CORNERS

OUTSIDE CORNERS

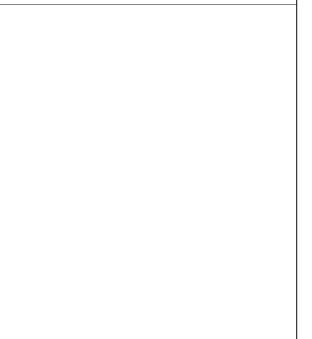
VERTICAL SECTION



4 DOOR HEAD & FRAME DETAILS
SCALE: 3/4" = 1'-0"



2 FITTING ROOM DOOR FRAME DETAILS
SCALE: 1/2" = 1'-0"



1 THERMOPLASTIC WALL PROTECTION DETAILS
SCALE: 3/16" = 1'-0"

Ignarrum Architects
601 Chapel Avenue East
Cherry Hill, New Jersey 08034
P 856.425.9877
F 856.425.6379
W ignarrum.com

WILLIAM J. FEARON
ARCHITECT
Date: 02/22/16
William J Fearon AIA
VA 017651
CLIENT & PROJECT

Burlington
BURLINGTON STORES, INC.
1830 ROUTE 130 NORTH
BURLINGTON, NEW JERSEY
08016

INTERIOR TENANT IMPROVEMENT
FOR BURLINGTON STORES AT
**MANASSAS, VA
STORE #188**
SUDLEY TOWN PLAZA
7885 SUDLEY ROAD
MANASSAS, VA 20109
PRINCE WILLIAM COUNTY

DISTRIBUTION: 0 PERMIT SUBMISSION DATE: 02/22/2016

PROJECT INFO:
PROJECT NUMBER: 9333.10
DRAWN: JMW CHECKED: JMD
NOTE & COPYRIGHT:
CONTRACTOR SHALL VERIFY EXISTING CONDITIONS AND CORRELATE DIMENSIONS PRIOR TO PROVIDING THE WORK DETAIL IN THESE DRAWINGS AND SHALL PROMPTLY NOTIFY THE ARCHITECT OF ANY DISCREPANCIES. UNAUTHORIZED REPRODUCTION OR OTHER USE OF THIS DRAWING IS PROHIBITED.

DRAWING NAME & TITLE: DETAILS
A4.1