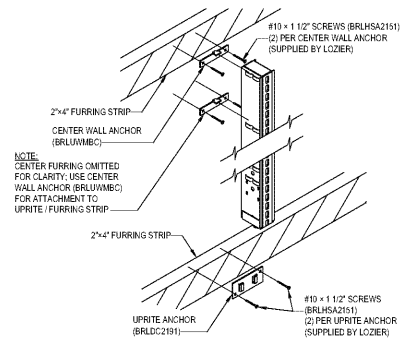
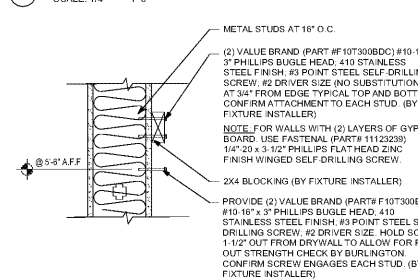


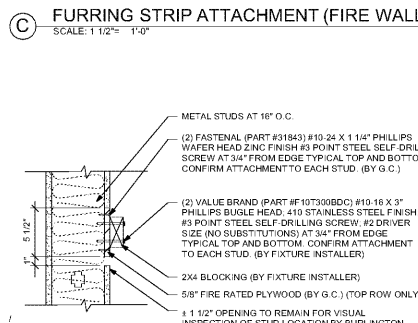
E END UPRITE ANCHOR DETAIL
SCALE: 1/4" = 1'-0"



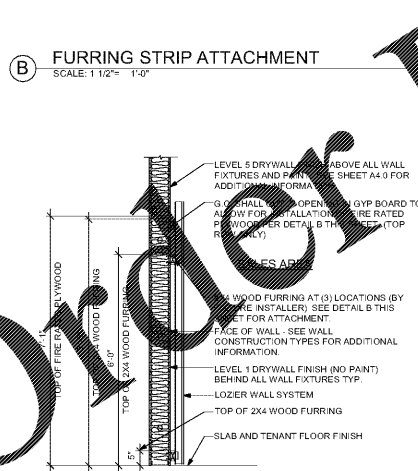
D CENTER UPRITE WALL ANCHOR DETAIL
SCALE: 1/4" = 1'-0"



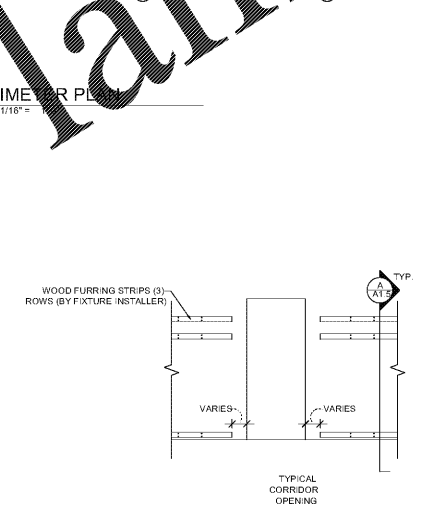
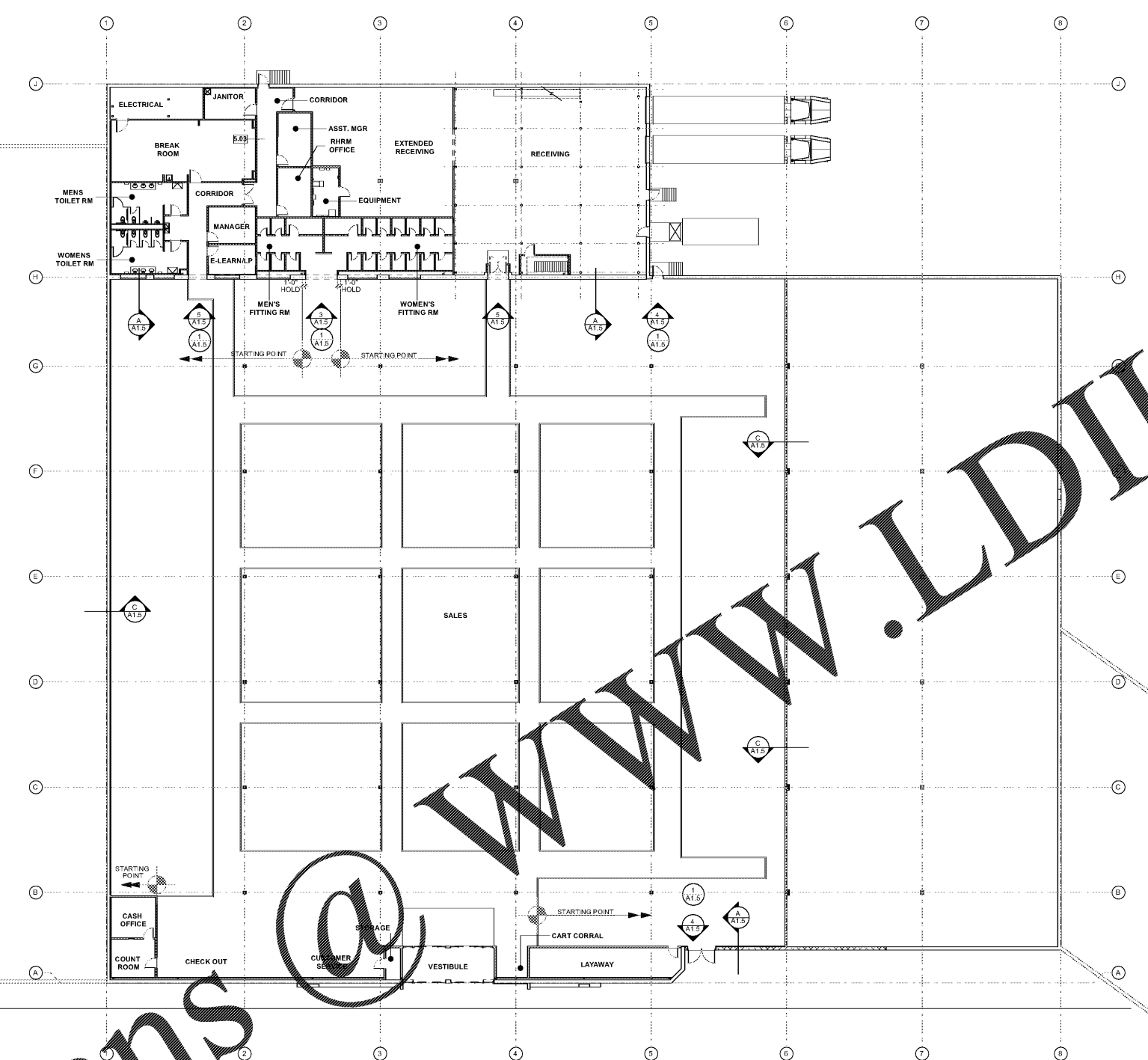
C FURRING STRIP ATTACHMENT (FIRE WALL)
SCALE: 1/2" = 1'-0"



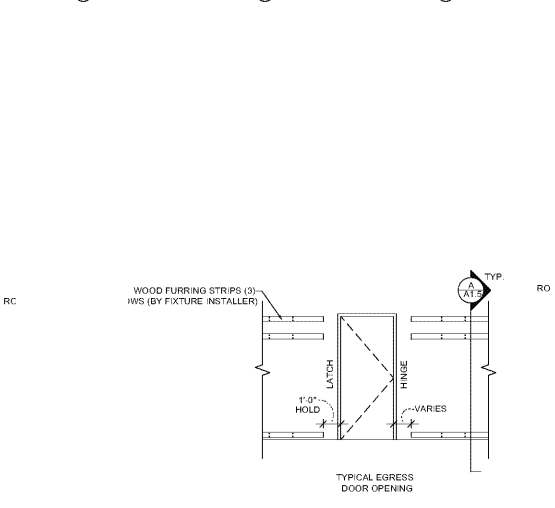
B FURRING STRIP ATTACHMENT
SCALE: 1/2" = 1'-0"



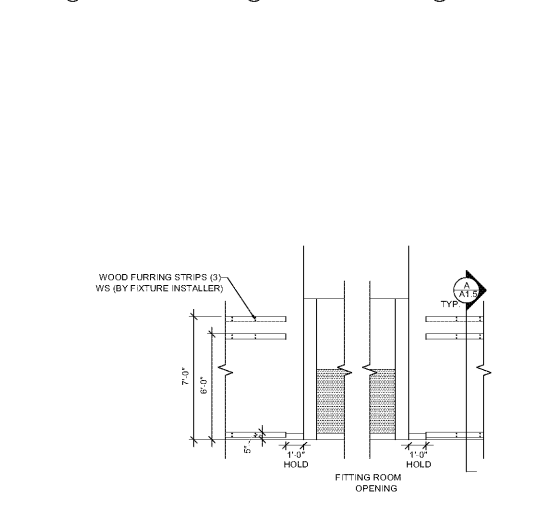
A PERIMETER WALL SECTION
SCALE: 1/2" = 1'-0"



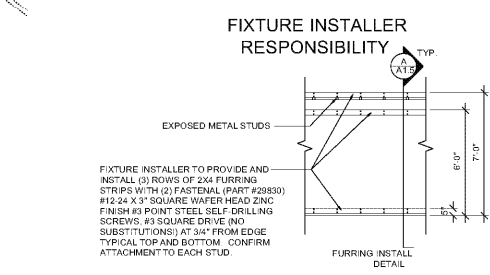
5 TYPICAL CORRIDOR OPENING
SCALE: 1/4" = 1'-0"



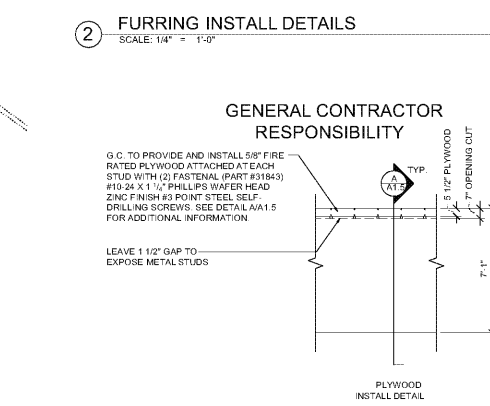
4 TYPICAL EGRESS DOOR OPENING
SCALE: 1/4" = 1'-0"



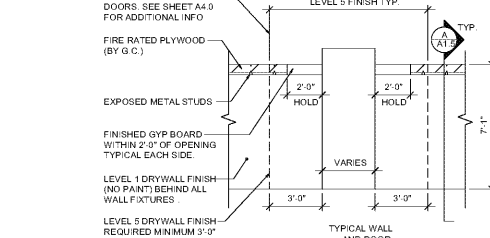
3 FITTING ROOM OPENING
SCALE: 1/4" = 1'-0"



2 FIXTURE INSTALLER RESPONSIBILITY
SCALE: 1/4" = 1'-0"



1 GENERAL CONTRACTOR RESPONSIBILITY
SCALE: 1/4" = 1'-0"



PERIMETER WALL FIXTURE SYSTEM MOUNTING
SCALE: 1/4" = 1'-0"

lgarrum
Lumms
ARCHITECTS

601 Chapel Avenue East
Cherry Hill, New Jersey 08034

P 856.425.9877
F 856.425.6379
W lgarrumms.com

COMMONWEALTH OF VIRGINIA
WILLIAM J. FEARON
ARCHITECT
No. 0018761

Date: 02/22/16
William J Fearon AIA
VA 017651

CLIENT & PROJECT

Burlington
BURLINGTON STORES, INC.
1830 ROUTE 130 NORTH
BURLINGTON, NEW JERSEY
08016

**INTERIOR TENANT IMPROVEMENT
FOR BURLINGTON STORES AT
MANASSAS, VA
STORE #188**

SUDLEY TOWN PLAZA
7685 SUDLEY ROAD
MANASSAS, VA 20109
PRINCE WILLIAM COUNTY

DISTRIBUTION:	DATE:
0 PERMIT SUBMISSION	02/22/2016

PROJECT INFO:
PROJECT NUMBER:
9333.10

DRAWN: JMD
CHECKED: JMD

NOTE & COPYRIGHT:
CONTRACTORS SHALL VERIFY EXISTING CONDITIONS AND CORRELATE DIMENSIONS PRIOR TO PROVIDING THE WORK DETAILED IN THESE DRAWINGS AND SHALL PROMPTLY NOTIFY THE ARCHITECT OF ANY DISCREPANCIES. UNAUTHORIZED REPRODUCTION OR OTHER USE OF THIS DRAWING IS PROHIBITED.

DRAWING NAME & TITLE:
PERIMETER WALL FIXTURE SYSTEM MOUNTING

A1.5