

INTERIOR PARTITION CLEAR SPAN LIMITS

MAXIMUM ALLOWABLE CLEAR SPAN/HEIGHT IN FEET FOR NON-LOAD BEARING INTERIOR PARTITIONS:
 DESIGN CRITERIA: INTERIOR HORIZONTAL DESIGN LOAD PER BUILDING CODE:
 5 PSF WITH ALLOWABLE DEFLECTION OF L/360.
 RUNNER TRACK GAUGE TO MATCH STUD GAUGE. TOP DEFLECTION TRACK GAUGE TO MATCH STUD GAUGE FOR 14 THROUGH 19 GA. BUT NOT LESS THAN 18 GAUGE FOR 20 GA STUDS.

STUD SIZE, FLANGE WIDTH, GAUGE (TRANSLATION TO OLD NOMENCLATURE)	Fy (KSI)	SPACING (O.C.)	5 PSF L360
80S125-88 (8", 1-1/4" -14 GA)	50	12	38'-6"
80S125-88 (8", 1-1/4" -14 GA)	50	18	33'-4"
80S125-54 (8", 1-1/4" -15 GA)	50	12	33'-10"
80S125-54 (8", 1-1/4" -15 GA)	50	18	30'-0"
80S125-43 (8", 1-1/4" -15 GA)	33	12	31'-4"
80S125-43 (8", 1-1/4" -15 GA)	33	18	28'-4"
80S125-88 (8", 1-1/4" -14 GA)	50	12	28'-10"
80S125-88 (8", 1-1/4" -14 GA)	50	18	25'-2"
80S125-54 (8", 1-1/4" -15 GA)	50	12	22'-10"
80S125-54 (8", 1-1/4" -15 GA)	50	18	21'-4"
80S125-43 (8", 1-1/4" -15 GA)	33	12	20'-1"
80S125-43 (8", 1-1/4" -15 GA)	33	18	17'-10"
80S125-33 (8", 1-1/4" -20 GA)	33	12	22'-10"
80S125-33 (8", 1-1/4" -20 GA)	33	18	20'-9"
80S125-30 (8", 1-1/4" -20 GA)	33	12	22'-0"
80S125-30 (8", 1-1/4" -20 GA)	33	18	20'-0"
3525125-88 (3/8", 1-1/4" -14 GA)	50	12	19'-2"
3525125-88 (3/8", 1-1/4" -14 GA)	50	18	17'-5"
3525125-54 (3/8", 1-1/4" -16 GA)	50	12	17'-11"
3525125-54 (3/8", 1-1/4" -16 GA)	50	18	16'-3"
3525125-43 (3/8", 1-1/4" -18 GA)	33	12	18'-9"
3525125-43 (3/8", 1-1/4" -18 GA)	33	18	15'-3"
3525125-33 (3/8", 1-1/4" -20 GA)	33	12	16'-4"
3525125-33 (3/8", 1-1/4" -20 GA)	33	18	14'-10"
3525125-30 (3/8", 1-1/4" -20 GA)	33	12	17'-11"
3525125-30 (3/8", 1-1/4" -20 GA)	33	18	15'-11"

NOTES:
 1. CLEAR SPAN LIMITS ARE FROM INTERIOR FINISH TO INTERIOR FINISH. NON-COMPOSITE TABLES IN THE STUD MANUFACTURERS' LITERATURE (SEE PRODUCT TECHNICAL GUIDES FOR ALLOWABLE CLEAR SPAN HEIGHTS WITH METAL STUD MANUFACTURERS).
 2. STUD GAUGE AND O.C. SHALL BE SELECTION ACCORDING TO THIS CLEAR SPAN HEIGHT SCHEDULE U.N.C.
 3. HORIZONTAL BRIDGING IS NOT REQUIRED WHEN GYPSUM WALLBOARD IS INSTALLED FULL HEIGHT ON BOTH SIDES OF PARTITION. HORIZONTAL BRIDGING IS STILL REQUIRED AT 1'-0" BELOW DEFLECTION TRACK IF SLIP CLIPS AT DEFLECTION TRACK ARE NOT PROVIDED.

- ### FLOOR PLAN CODED NOTES
- HOLLOW METAL DOOR, SEE DOOR SCHEDULE ON A4.0 FOR DETAILS.
 - OVERHEAD DOOR, SEE DOOR SCHEDULE ON A4.0 FOR DETAILS.
 - COMPACTOR DOOR, SEE DOOR SCHEDULE ON A4.0 FOR DETAILS.
 - PROVIDE EXIT TACTILE SIGNAGE PER DETAIL 12 ON A0.3. TYPICAL AT ALL EXTERIOR DOOR LOCATIONS & WHERE LOCAL JURISDICTION OFFICIALS AND/OR CODE REQUIRE.
 - LEVEL 5 WALL FINISH REQUIRED THROUGHOUT ENTIRE BURLINGTON SPACE. SEE FINISH SCHEDULE ON A4.0 FOR LEVEL DEFINITIONS.
 - PARTITION WALL TYPE. SEE PARTITION TYPES ON A4.0 FOR DETAILS.
 - COLUMNS THROUGHOUT SALES AREA TO HAVE COLUMN ENCLOSURES & TO BE PAINTED P-1. COLUMNS IN OFFICE / STOCK / RECEIVING AREAS TO BE PAINTED P-2. SEE FINISH SCHEDULE ON A4.0 FOR DETAILS.
 - ALL OUTSIDE GYPSUM BOARD CORNERS ARE TO HAVE CORNER GUARDS INSTALLED THROUGHOUT ENTIRE SPACE. INSTALL CG-1 CORNER GUARDS ON ALL OUTSIDE CORNERS IN SALES & OFFICE AREAS. INSTALL CG-2 CORNER GUARDS ON ALL OUTSIDE CORNERS STOCK & RECEIVING AREAS. SEE FINISH SCHEDULE ON A4.0 FOR DETAILS.
 - SOP MARKING AREA COUNTER.
 - QUEUE CUSTOMER TRAFFIC SYSTEM.
 - FLOOR FINISH LINE. SEE FLOOR FINISH PLAN ON A4.0 FOR DETAILS.
 - FUTURE NEW WORK TO RECEIVE POWER FROM C.C.M. MORE DETAIL, CONFIRM FINAL PLAN WITH BURLINGTON MANAGER & ARCHITECT PRIOR TO INSTALLATION OF MATERIALS.
 - CASH WRAPS TO RECEIVE POWER AND DATA. CONFIRM FINAL PLACEMENT WITH BURLINGTON PROJECT MANAGER & ARCHITECT PRIOR TO INSTALLATION OF MATERIALS. CASH WRAPS & CUSTOMER SERVICE COUNTERS TO BE AS NEAR AS POSSIBLE. SEE DETAIL 8 ON SHEET A1.3 FOR CASH WRAP & CUSTOMER SERVICE COUNTER DETAILS.
 - PROXIMATE LOCATION OF FIRE EXTINGUISHER. CONFIRM REQUIREMENTS AND LOCATIONS WITH LOCAL FIRE MARSHALL PRIOR TO INSTALLATION OF MATERIALS.
 - ALL EQUIPMENT TO BE MOUNTED ON SALES FLOOR COLUMNS SHALL BE MOUNTED ON THE BACKSIDE OF THE COLUMN (IF POSSIBLE) WHEN ENTERING THE STORE FROM THE MAIN ENTRY VESTIBULE.
 - CONCRETE SIDEWALK.
 - PROVIDE GYPSUM BOARD CONTROL JOINTS AT BOTH EDGES ABOVE ALL BULKHEADS AND DOOR OPENINGS ON SALES FLOOR. SEE DETAIL 3 ON SHEET A4.1 FOR MORE INFORMATION.
 - ROOF LADDER & HATCH. SEE DETAILS ON A1.7 CONTRACTOR TO VERIFY LOCATION OF EXISTING JOISTS AND BEAMS SO THAT THEY DO NOT CONFLICT WITH ROOF HATCH LOCATION.
 - NOT USED.

William J. Fearon Architects
 ARCHITECTS
 601 Chapel Avenue East
 Cherry Hill, New Jersey 08034
 P 856.425.9877
 F 856.425.6319
 W wjfearon.com

DATE: 02/22/16
 William J. Fearon AIA
 VA 017651

CLIENT & PROJECT
Burlington
 BURLINGTON STORES, INC.
 1830 ROUTE 130 NORTH
 BURLINGTON, NEW JERSEY
 08016

INTERIOR TENANT IMPROVEMENT
 FOR BURLINGTON STORES AT
**MANASSAS, VA
 STORE #188**
 SUDLEY TOWN PLAZA
 7685 SUDLEY ROAD
 MANASSAS, VA 20109
 PRINCE WILLIAM COUNTY

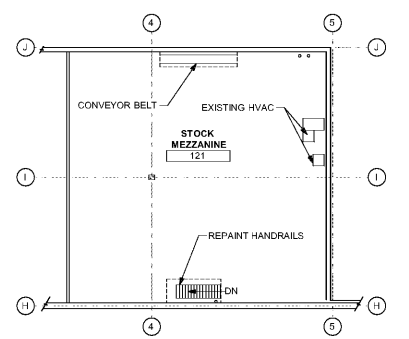
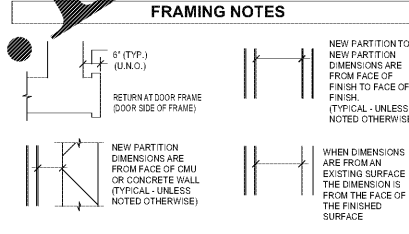
DISTRIBUTION: DATE:
 0 PERMIT SUBMISSION 02/22/2016

PROJECT INFO:
 PROJECT NUMBER:
 9333.10
 DRAWN: JMD
 CHECKED: JMD
 PWJ

NOTE & COPYRIGHT:
 CONTRACTORS SHALL VERIFY EXISTING CONDITIONS AND CORRELATE DIMENSIONS PRIOR TO PROVIDING THE WORK DETAILED IN THESE DRAWINGS AND SHALL PROMPTLY NOTIFY THE ARCHITECT OF ANY DISCREPANCIES. UNAUTHORIZED REPRODUCTION OR OTHER USE OF THIS DRAWING IS PROHIBITED.

DRAWING NAME & TITLE:
 CONSTRUCTION PLAN

- ### FLOOR PLAN GENERAL NOTES
- DO NOT SCALE DRAWING
 - DIMENSIONS ARE FROM FACE OF FINISHED WALL TO FACE OF FINISHED WALL UNLESS NOTED OTHERWISE. (U.N.O.)
 - SEE SCHEDULE AND DETAILS ON SHEET A4.0 FOR PARTITION TYPES, ROOM SCHEDULE, FINISH SCHEDULE, DOOR SCHEDULE, AND DOOR TYPES
 - IT IS THE RESPONSIBILITY OF THE GENERAL CONTRACTOR TO CROSS-CHECK THE M.E.P. DRAWINGS WITH THE ARCHITECTURAL DRAWING PRIOR TO THE ORDERING / INSTALLATION OF MECHANICAL, ELECTRICAL AND PLUMBING WORK. ANY DISCREPANCIES BETWEEN THE ARCHITECTURAL AND M.E.P. DRAWINGS SHALL BE BROUGHT TO THE ARCHITECTS' ATTENTION FOR IMMEDIATE CLARIFICATION.
 - ALL CONSTRUCTION SHALL COMPLY WITH ALL APPLICABLE STATE, CITY AND LOCAL CODES AND ORDINANCES AT THE LOCATION OF THE PROJECT.
 - APPROVED FIRE EXTINGUISHERS SHALL BE LOCATED AS PER THE FIRE MARSHALL DIRECTION.
 - WHERE EXISTING CONDITIONS ARE CUT OR DISTURBED TO PERMIT INSTALLATION OF NEW WORK, MATCH AND PATCH EXISTING DISTURBED CONSTRUCTION TO ORIGINAL CONDITION.
 - CONTRACTOR TO VERIFY ALL PLYWOOD REQUIRED FOR ELECTRICAL EQUIPMENT WITH ELECTRICAL SHEETS. INSTALL PLYWOOD AS DIRECTED ON ELECTRICAL SHEETS.
 - DIMENSIONS AND CONDITIONS SHALL BE VERIFIED IN THE FIELD BY THE GENERAL CONTRACTOR (G.C.) PRIOR TO CONSTRUCTION OR ORDER OF MATERIALS. ANY REVISIONS, CHANGES, DEVIATIONS OR INCONSISTENCIES BETWEEN THE AS-BUILT CONDITIONS AND THESE DRAWINGS SHALL IMMEDIATELY BE REPORTED TO THE OWNER BEFORE CONSTRUCTION.
 - ALL EQUIPMENT TO BE MOUNTED ON SALES FLOOR COLUMNS/WALLS SHALL BE MOUNTED ON THE BACKSIDE OF THE COLUMN/WALL (IF POSSIBLE) WHEN ENTERING THE STORE FROM THE MAIN ENTRY VESTIBULE.
 - ALL INTERIOR DOORS ARE 6" OFF FINISHED WALL U.N.O.

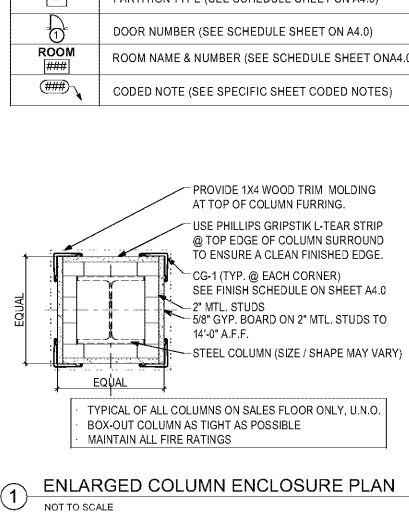
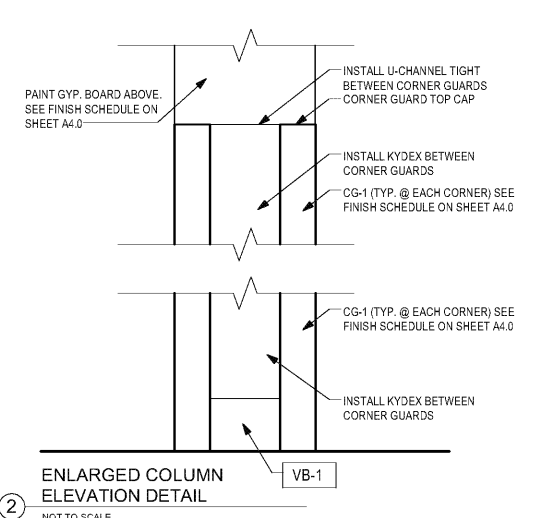
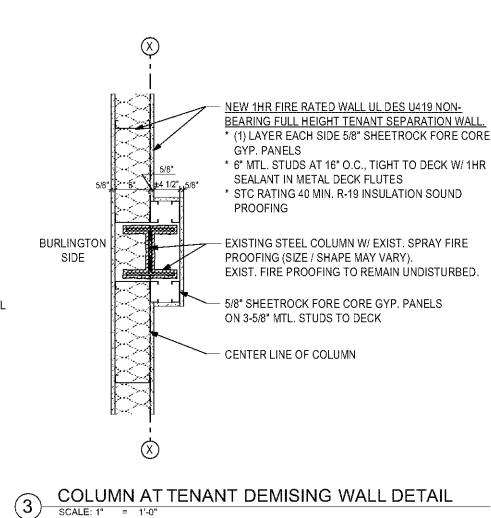
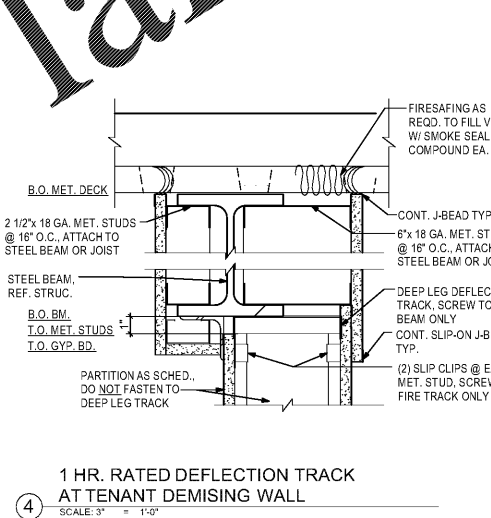
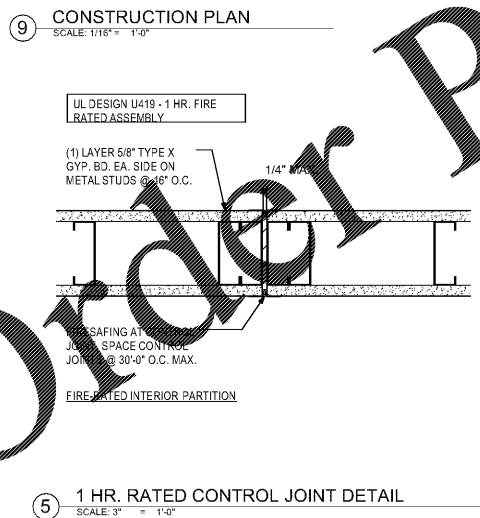


PARTITION LEGEND

SYMBOL	DESCRIPTION
---	EXISTING PARTITION
---	NEW FULL HEIGHT PARTITION, REFER TO SHEET A4.0
---	NEW PARTIAL HEIGHT PARTITION, REFER TO SHEET A4.0

SYMBOL LEGEND

SYMBOL	DESCRIPTION
#	PARTITION TYPE (SEE SCHEDULE SHEET ON A4.0)
1	DOOR NUMBER (SEE SCHEDULE SHEET ON A4.0)
ROOM ###	ROOM NAME & NUMBER (SEE SCHEDULE SHEET ON A4.0)
###	CODED NOTE (SEE SPECIFIC SHEET CODED NOTES)



Order Plans @