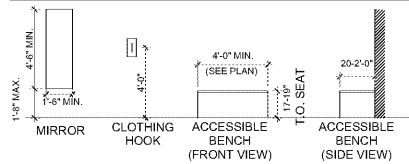
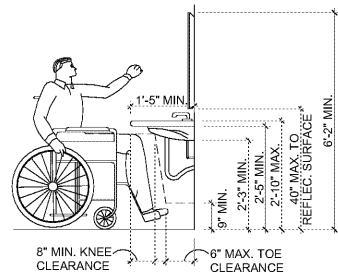


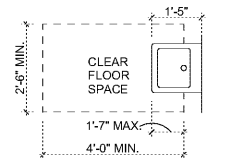
- FITTING ROOM GENERAL NOTES:**
1. ACCESSIBLE CHANGING STALL DOOR SHALL HAVE ACCESSIBILITY SYMBOL LOCATED ON STALL DOOR.
 2. AT LEAST 1 MIRROR BOTTOM SHALL NOT HAVE A DISTANCE GREATER THAN 20" LOCATED OFF FINISH FLOOR. MIRROR SHALL BE MIN. 18" WIDE BY 64" HIGH, AND SHALL BE MOUNTED IN A POSITION AFFORDING A VIEW TO A PERSON ON THE BENCH AS WELL AS TO A PERSON IN A STANDING POSITION.
 3. CLOTHING HOOKS SHALL BE MOUNTED AT 48" A.F.F.
 4. CAULK ALL EDGES OF MIRRORS & BENCHES
 5. ALLOWABLE STRESSES SHALL NOT BE EXCEEDED FOR MATERIALS USED WHERE A VERTICAL OR HORIZONTAL FORCE OF 250 POUNDS IS APPLIED AT ANY POINT ON THE SEAT, FASTENER MOUNTING DEVICE, OR SUPPORTING STRUCTURE.
 6. FITTING ROOM BENCHES TO COMPLY WITH ANSI 117.1 AND/OR LOCAL ACCESSIBILITY CODES, WHICHEVER IS MOST RESTRICTIVE.



30 ACCESSIBLE FITTING ROOM ACCESSORIES
SCALE: 1/4" = 1'-0"

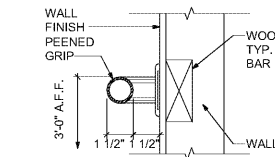


29 ACCESSIBLE SINK DETAIL
SCALE: 1/2" = 1'-0"

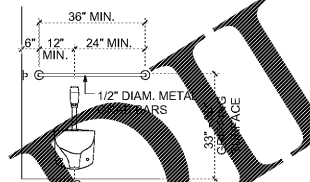


NOTE: HOT WATER AND DRAIN PIPES UNDER LAVATORIES SHALL BE INSULATED OR OTHERWISE CONFIGURED TO PROTECT AGAINST CONTACT PER ADA 4.19.4. WATER TEMPERATURE AT ALL LAVATORIES (TOILET AND PANTRY) SHALL BE NOT GREATER THAN 110 DEGREES.

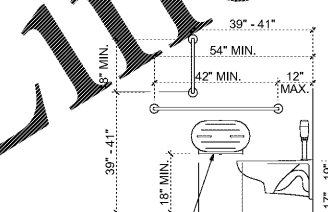
28 ADA SINK DETAIL
SCALE: 1/2" = 1'-0"



21 ANSI GRAB BAR SECTION
SCALE: 3/4" = 1'-0"

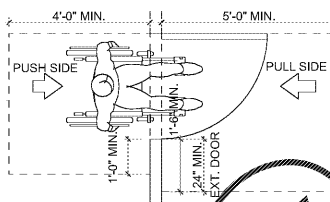


22 ANSI-TOILET FRONT ELEVATION
SCALE: 1/2" = 1'-0"



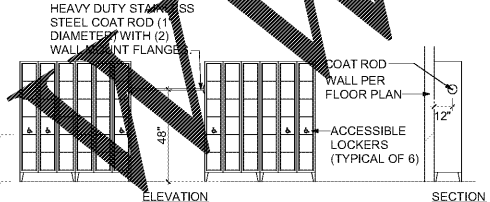
19 ANSI-TOILET SIDE ELEVATION
SCALE: 1/2" = 1'-0"

1. THRESHOLDS SHALL NOT EXCEED 1/2" IN HEIGHT & BEVELED @ 1:2.
2. ALL HANDLES, PULLS, LATCHES, LOCKS, ETC. SHALL BE LEVER TYPE.
3. IF A DOOR HAS A CLOSER, THE SWEEP SHALL BE ADJUSTED SO THAT FROM AN OPEN POSITION OF 90 DEGREES, THE DOOR WILL TAKE AT LEAST 3 SECONDS TO MOVE TO AN OPEN POSITION OF 12 DEGREES. MAXIMUM FORCE ON EXTERIOR DOOR SHALL BE 8.5 LBF AND INTERIOR DOORS 5 LBF.
4. FLOOR / LANDING SHALL BE AT THE SAME ELEVATION ON EACH SIDE OF THE DOOR.

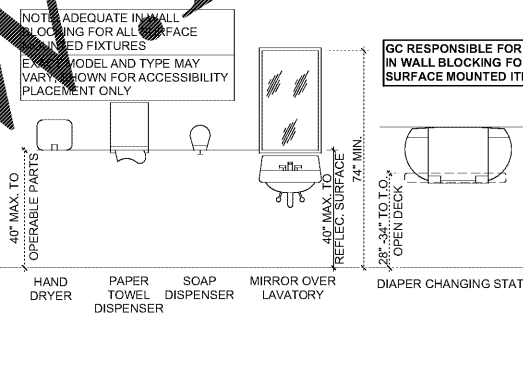


16 ACCESSIBLE DOORS
SCALE: 1/2" = 1'-0"

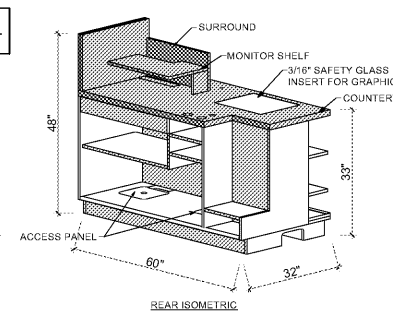
- NOTES:**
1. 5%, BUT NOT LESS THAN ONE OF THE LOCKERS SHALL BE ACCESSIBLE.
 2. THE BOTTOM OF THE LOCKER SHELF IS 15" MINIMUM A.F.F. & SHELF/ROD (IF PROVIDED) MUST BE LOCATED 48" MAXIMUM A.F.F.
 3. THE ACCESSIBLE LOCKER SHALL BE IDENTIFIED WITH THE INTERNATIONAL SYMBOL OF ACCESSIBILITY.
 4. THE DOOR HARDWARE SHALL BE LEVER TYPE EQUAL DOOR HARDWARE.
 5. PROVIDE A 5'-0" TURNING RADIUS IN FRONT OF ACCESSIBLE LOCKER.



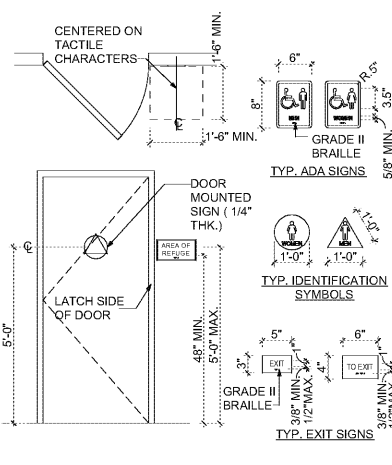
15 LOCKER ACCESSIBILITY
SCALE: 1/2" = 1'-0"



14 TOILET ROOM ACCESSORY MOUNTING HEIGHTS
SCALE: 1/2" = 1'-0"



13 CASH WRAP - ISOMETRIC
SCALE: 1/2" = 1'-0"



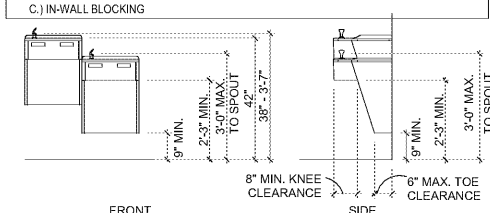
NOTE: THE FOLLOWING ROOMS WILL REQUIRE STANDARD SIGNAGE W/ HANDICAP SYMBOL: MEN'S RESTROOM, WOMEN'S RESTROOM, AND ANY ROOM AS REQUIRED BY LOCAL CODES. PLEASE CONFIRM LOCAL REQUIREMENTS AND VERIFY FINAL ORDER WITH BURLINGTON SIGNAGE REQUIRED AT TOILET ROOMS: "DO NOT TAKE MERCHANDISE INTO RESTROOMS" ADDITIONAL ROOM SIGNAGE SHALL ONLY BE PROVIDED WHERE REQUIRED BY CODE.

CONTACT: SCOTT SIGN SYSTEMS, INC. / Kathy Hannon (kathy@scottsigns.com) 800.273.9447

17 SIGNAGE DETAILS
SCALE: 1/2" = 1'-0"

- NOTES:**
1. CHARACTERS, SYMBOLS AND THEIR BACKGROUND SHALL HAVE A NONGLARE FINISH. CHARACTERS AND SYMBOLS SHALL CONTRAST WITH THEIR BACKGROUND.
 2. CHARACTERS ON SIGNS SHALL BE RAISED 1/32" MINIMUM & SHALL BE SANS SERIF UPPERCASE CHARACTERS ACCOMPANIED BY GRADE 2 BRAILLE. RAISED CHARACTERS SHALL BE A MINIMUM OF 5/8" AND A MAXIMUM OF 2" HIGH.
 3. PICTOGRAMS SHALL BE ACCOMPANIED BY THE VERBAL DESCRIPTION PLACED DIRECTLY BELOW THE PICTOGRAM. THE OUTSIDE DIMENSION OF THE PICTOGRAM FIELD SHALL BE A MINIMUM OF 5" IN HEIGHT.
 4. CHARACTERS AND BRAILLE SHALL BE IN A HORIZONTAL FORMAT. BRAILLE SHALL BE PLACED A MINIMUM OF 3/8" AND A MAXIMUM OF 1/2" DIRECTLY BELOW THE TACTILE CHARACTERS; FLUSH LEFT OR CENTERED. WHEN TACTILE TEXT IS MULTILINE, ALL BRAILLE SHALL BE PLACED TOGETHER BELOW ALL LINES OF TACTILE TEXT.
 5. CONTRACTED II BRAILLE SHALL BE USED WHEREVER BRAILLE IS REQUIRED. DOTS SHALL BE 1/10" ON CENTER IN EACH CELL WITH 2/10" SPACE BETWEEN CELLS. DOTS SHALL BE RAISED A MINIMUM OF 1/40" ABOVE THE BACKGROUND. BRAILLE DOTS SHALL BE DOMED OR ROUNDED. BRAILLE SHOWN IS FOR PLACEMENT ONLY. USE CORRECT BRAILLE FOR SIGN PRODUCTION.
 6. WHERE PERMANENT IDENTIFICATION SIGNS ARE PROVIDED FOR ROOMS AND SPACES, SIGNS SHALL BE INSTALLED ON THE WALL ADJACENT TO THE LATCH SIDE OF THE DOOR. WHERE THERE IS NO WALL SPACE ON THE LATCH SIDE SIGNS SHALL BE PLACED ON THE NEAREST ADJACENT WALL.
 7. MOUNTING HEIGHT SHALL BE 60" A.F.F. TO THE CENTER LINE OF THE SIGNS. MOUNTING LOCATION SHALL BE DETERMINED SO THAT A PERSON MAY APPROACH WITHIN 3" OF SIGNAGE WHO ENCOUNTERING PROTRUDING OBJECTS.
 8. EXIT SIGN LOCATION REQUIREMENTS:
 - 8.1. EACH GRADE LEVEL EXTERIOR EXIT DOOR SHALL BE IDENTIFIED BY A TACTILE EXIT SIGN WITH THE WORD "EXIT"
 - 8.2. EACH EXIT DOOR THAT LEADS DIRECTLY TO A GRADE-LEVEL EXTERIOR EXIT BY MEANS OF A STAIRWAY OR RAMP SHALL BE IDENTIFIED BY A TACTILE EXIT SIGN
 - 8.3. EACH EXIT DOOR THAT LEADS DIRECTLY TO A GRAD-LEVEL EXTERIOR EXIT BY MEANS OF AN EXIT ENCLOSURE THAT DOES NOT UTILIZE A STAIR OR RAMP, OR BY MEANS OF AN EXIT PASSAGEWAY SHALL BE IDENTIFIED BY A TACTILE EXIT SIGN WITH THE WORDS "EXIT ROUTE"
 - 8.4. EACH EXIT ACCESS DOOR FROM AN INTERIOR ROOM OR AREA THAT IS REQUIRED TO HAVE A VISUAL EXIT SIGN, SHALL BE IDENTIFIED BY A TACTILE EXIT SIGN WITH THE WORDS, "EXIT ROUTE"
 - 8.5. EACH EXIT DOOR THROUGH A HORIZONTAL EXIT SHALL BE IDENTIFIED BY A TACTILE EXIT SIGN WITH THE WORDS "TO EXIT"
 9. ALL SIGNS SHALL COMPLY WITH STATE AND LOCAL CODES AND / OR ORDINANCES/INTERNATIONAL SIGN OF ACCESSIBILITY AT ALL BUILDING ENTRANCES THAT ARE ACCESSIBLE

- THE ACCESSIBLE DRINKING FOUNTAIN MEETS ALL OF THE REQUIREMENTS PER APPLICABLE CODES.
1. AT THE LO ACCESSIBLE DRINKING FOUNTAIN, A CLEAR FLOOR SPACE COMPLYING WITH APPLICABLE CODES, POSITIONED FOR A FORWARD APPROACH, SHALL BE PROVIDED. KNEE AND TOE SPACE COMPLYING WITH APPLICABLE CODES SHALL BE PROVIDED. THE CLEAR FLOOR SPACE SHALL BE CENTERED ON THE DRINKING FOUNTAIN.
 - A) THE SPOUT SHALL BE LOCATED 15 INCHES MINIMUM FROM THE VERTICAL SUPPORT AND 5 INCHES MAXIMUM FROM THE FRONT EDGE OF THE DRINKING FOUNTAIN, INCLUDING BUMPERS.
 - B) THE SPOUT SHALL PROVIDE A FLOW OF WATER 4 INCHES MINIMUM IN HEIGHT. THE ANGLE OF THE WATER STREAM FROM SPOUTS WITHIN 3 INCHES OF THE FRONT OF THE DRINKING FOUNTAIN SHALL BE 30 DEGREES MAXIMUM, AND FROM SPOUTS BETWEEN 3 INCHES AND 5 INCHES FROM THE FRONT OF THE DRINKING FOUNTAIN SHALL BE 15 DEGREES MAXIMUM
 - C) IN-WALL BLOCKING



3 ACCESSIBLE DRINKING FOUNTAIN ELEVATIONS
SCALE: 1/2" = 1'-0"

GC RESPONSIBLE FOR PROVIDE AND INSTALL ALL WALL BLOCKING FOR ALL SURFACE MOUNTED ITEMS.

- ACCESSIBILITY NOTES:**
- CONTROLS & OPERATING MECHANISMS:**
- ALL REQUIRED CONTROLS AND OPERATING MECHANISMS SHALL BE PLACED BETWEEN 15 INCHES AND 48 INCHES ABOVE THE FLOOR AND MEET FULL COMPLIANCE WITH APPLICABLE CODES. OPERABLE PARTS SHALL BE OPERABLE WITH ONE HAND AND SHALL NOT REQUIRE TIGHT GRASPING, PINCHING, OR TWISTING OF THE WRIST.
 - THE FORCE REQUIRED TO ACTIVATE OPERABLE PARTS SHALL BE 5.0 POUNDS MAXIMUM.
- DOORS:**
- ALL DOORS PROVIDE THE REQUIRED MANEUVERING CLEARANCE AT DOOR PER APPLICABLE CODES.
 - ALL NEW OR ALTERED DOORS TO HAVE LEVER-OPERATED HARDWARE PER APPLICABLE CODES.
 - ALL DOORS SHALL HAVE A 32" CLEAR DOOR OPENING MEASURED FROM THE FACE OF THE DOOR WHEN IT IS OPENED 90% TO THE DOOR STOP PER APPLICABLE CODES.
 - ALL DOORS LEADING INTO HAZARDOUS ROOMS OR SPACES TO HAVE KNURLED HARDWARE.
 - ALL PUBLIC AND COMMON AREA INTERIOR DOORS TO HAVE 5# MAX. FORCE TO OPEN PER APPLICABLE CODES.
 - ALL PUBLIC AND COMMON AREA EXTERIOR DOORS TO HAVE 8.5 # MAX FORCE TO OPEN PER APPLICABLE CODES.
- CARPETING AND FLOORING:**
- CARPET TILE THICKNESS NOT TO EXCEED 1/2" PER APPLICABLE CODES.
 - CARPET TILE THICKNESS IS FROM THE FLOOR FINISH TO TOP OF TILE PER APPLICABLE CODES.
 - FLOOR SURFACES SHALL BE FIRM, STABLE AND SLIP RESISTANT PER APPLICABLE CODES
 - THRESHOLDS SHALL BE A MAXIMUM 1/2" WITH A 1:2 BEVEL.
- VENDING MACHINES:**
- ALL OPERABLE PARTS SHALL BE WITHIN THE REACH RANGE OF 15"-48" AFF

lgarr Lummis ARCHITECTS
601 Chapel Avenue East
Cherry Hill, New Jersey 08034

P 856.425.9877
F 856.425.6379
W lgarrlummis.com

DATE: 02/22/16
William J Fearon AIA
VA 017651

CLIENT & PROJECT

Burlington
BURLINGTON STORES, INC.
1830 ROUTE 130 NORTH
BURLINGTON, NEW JERSEY
08016

INTERIOR TENANT IMPROVEMENT
FOR BURLINGTON STORES AT
**MANASSAS, VA
STORE #188**
SUDLEY TOWN PLAZA
7685 SUDLEY ROAD
MANASSAS, VA 20109
PRINCE WILLIAM COUNTY

PROJECT INFO:
PROJECT NUMBER:
9333.10
DRAWN: PPW
CHECKED: JMD

NOTE & COPYRIGHT:
CONTRACTORS SHALL VERIFY EXISTING CONDITIONS AND CORRELATE DIMENSIONS PRIOR TO PROVIDING THE WORK. DETAILS IN THESE DRAWINGS AND SHALL BE PROVIDED TO THE ARCHITECT OF ANY DISCREPANCIES. UNAUTHORIZED REPRODUCTION OR OTHER USE OF THIS DRAWING IS PROHIBITED.

DRAWING NAME & TITLE:
ACCESSIBILITY DETAILS

A0.3

Order Plans @