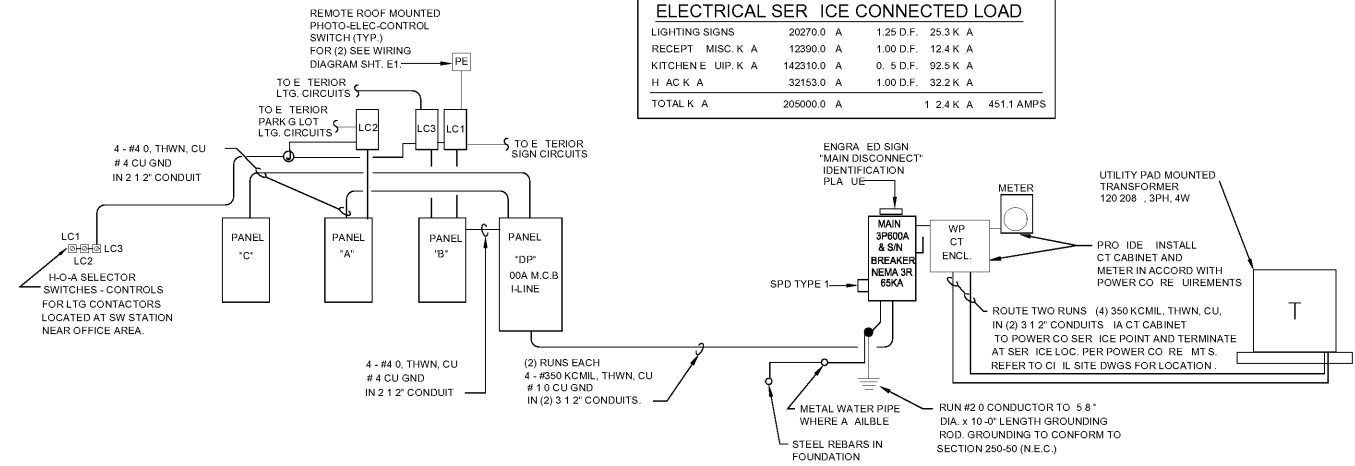


ELECTRICAL SER ICE CONNECTED LOAD			
LIGHTING SIGNS	20270.0	A	1.25 D.F. 25.3 K A
RECEPT MISC. K A	12390.0	A	1.00 D.F. 12.4 K A
KITCHEN E. UIP. K A	142310.0	A	0.5 D.F. 92.5 K A
H AC K A	32153.0	A	1.00 D.F. 32.2 K A
TOTAL K A	205000.0	A	1.24 K A 451.1 AMPS



CIRCUIT SCHEDULE												PANEL "B"			S UARE D 'N ' OD'				
120 208 OLTS - 3 PHASE - 4 WIRE - SOLID NEUTRAL												225 AMP MAIN LUGS ONLY			42,000 A.I.C.				
FLUSH MOUNTED - E UIPMENT GROUND BAR ISOLATED E UIPMENT GROUND BAR												SERIES INTEGRATED RATING							
LIGHTING BRANCH CIRCUIT BREAKERS SHALL BE LISTED FOR SWITCHING DUTY																			
LOAD DESCRIPTION	WIRE SI E			CKT NO	CONN. LOAD (A)			CKT NO	CKT BKR	WIRE SI E			LOAD DESCRIPTION						
	PH	N	GND		PH A	PH B	PH C			PH	N	GND							
(2) RTU RECS DUCT DET S	12	12	12	1P-20	1	3 0	1384	2	1P-20	12	12	DINING LIGHTS							
(3) DIGITAL MENUBOARD (11	12	12	12	1P-20	3			4	1P-20	12	12	DINING PENDANT LIGHTS							
KITCHEN SALES LTG	12	12	12	1P-20	5			8	1P-20	12	12	RECEPTS-TEL E BD							
KITCHEN R.R.S. LTG	12	12	12	1P-20	7	1380	3 0	10	1P-20	12	12	RECEPTS- OFFICE							
DINING - PAD FANS	12	12	12	1P-20	9			10	1P-20	12	12	MUSIC SOUND G.P.							
TEA BREWER (K74)	12	12	12	1P-20	11			12	1P-20	12	12	COMPUTER PRINTER							
SODA DISP S (K31)	12	12	12	1P-20	13	00	1800	14	1P-20	12	12	D T WINDOW							
FRONT SIGN	12	12	12	1P-20	15			1	1P-20	12	12	DR THRU DIR. SIGNS							
(3) IDEO MONITORS	12	12	12	1P-20	17			18	1P-20	12	12	DR I THRU MENU BD							
PYLON SIGN	10	10	10	1P-20	19	1200	100	20	1P-20	12	12	LIGHTING CONTROLS							
PYLON SIGN	10	10	10	1P-20	21			22	1P-20	12	12	DR I THRU AUDIO							
FLY FAN	12	12	12	1P-20	23			24	1P-20	12	12	POS SYS. PRINTER							
(2) SECURITY SYS	12	12	12	1P-20	25	3 0		2	1P-20	-	-	SPARE							
POS SYSTEM	12	12	12	1P-20	27			28	1P-20	12	12	E T SOFFIT LIGHTS							
(3) RECS-G.P (FRONT CNTR)	12	12	12	1P-20	29			30	1P-20	12	12	E T SOFFIT LIGHTS							
SAFE (M30)	12	12	12	1P-20	31	00	1125	32	1P-20	12	12	E T SOFFIT LIGHTS							
SPARE	-	-	-	1P-20	33			34	1P-20	12	12	DIGITAL M.B SYSTEM							
SPARE	-	-	-	1P-20	35			3	1P-20	12	12	DIGITAL PRE-SELL M.B							
SODA DISP S (K32F)	12	12	12	1P-20	37	1000	780	38	1P-20	12	12	WALL ART LIGHTS							
SPACE	-	-	-	-	39			40	1P-20	12	12	SPACE							
SPACE	-	-	-	-	41			42	1P-20	12	12	POS SYSTEM PRINTER							
TOTALS					11,040			7,280			9,754			TOTAL K A 2.5			TOTAL AMPS 73.		

CIRCUIT SCHEDULE												PANEL "A"			S UARE D 'N ' OD'		
120 208 OLTS - 3 PHASE - 4 WIRE - SOLID NEUTRAL												225 AMP MAIN LUGS ONLY			42,000 A.I.C.		
FLUSH MOUNTED - E UIPMENT GROUND BAR ISOLATED E UIPMENT GROUND BAR												SERIES INTEGRATED RATING					
LIGHTING BRANCH CIRCUIT BREAKERS SHALL BE LISTED FOR SWITCHING DUTY																	
LOAD DESCRIPTION	WIRE SI E			CKT NO	CONN. LOAD (A)			CKT NO	CKT BKR	WIRE SI E			LOAD DESCRIPTION				
	PH	N	GND		PH A	PH B	PH C			PH	N	GND					
FRYER HOOD (EF-1)	12	12	12	1P-25	1	15 0	00	2	1P-15	12	12	3					
FRYER HOOD (EF-2)	12	12	12	1P-25	3			4	1P-20	12	12	MOD CONTROLS					
MARINATOR (A31)	12	12	12	1P-20	5			6	1P-20	12	12	RECEPTS					
CARBONATORS (K42)	12	12	12	1P-20	7	1728	100	8	1P-20	12	12	OFFICE CAB FAN					
TOASTER (C20)	12	12	12	1P-20	9			10	1P-20	12	12	SERV. DOORBELL					
(2) SANDWICH (A53.27)	12	12	12	1P-20	11			12	1P-20	12	12	CONTROL					
SPACE	-	-	-	-	13			14	1P-20	12	12	ANSUL SYSTEM					
(2) FREE ER (A54)	12	12	12	1P-20	15			1	1P-20	12	12	REFRIGERATOR (B 0)					
(2) FREE ER E AP (E10)	12	12	12	1P-20	17			18	1P-20	12	12	RECEPTS-DINING RM					
(2) REFRIG. BATTER (A47.4)	12	12	12	1P-20	19	37	900	20	1P-20	12	12	RECEPTS-DINING RM					
SPARE	-	-	-	1P-20	21			22	1P-20	12	12	SECURITY CAMERA S					
HOLD CABT. (D50)	10	10	10	1P-25	23			24	1P-20	12	12	WATER HEATER					
PRODUCT ASSEM. (C40)	10	10	10	2P-20	25	24	300	2	1P-20	12	12	CLR FR R LIGHTS					
SPARE	-	-	-	-	27			28	1P-15	12	12	COOLER E AP. (E10)					
SPARE	-	-	-	1P-20	29			30	1P-20	12	12	HEAT TRACE FR (E10)					
(2) COOLER E AP (E10)	12	12	12	1P-20	31	1100		32	1P-20	10	10	SITELIGHTS					
SPARE	-	-	-	1P-20	33			34	1P-20	10	10	SITELIGHTS					
SPACE	-	-	-	-	35			3	1P-15	12	12	HOT WATER PUMP					
SPACE	-	-	-	-	38			38	1P-20	10	10	SPARE					
MICROWA E (D20)	10	10	10	2P-30	39		2000	40	1P-20			SPARE					
SPARE	-	-	-	-	41			42	1P-20			SPARE					
TOTALS					9,810			11,188			TOTAL K A 28.1			TOTAL AMPS 78.1			

CIRCUIT SCHEDULE												PANEL "C"			S UARE D 'N ' OD'				
120 208 OLTS - 3 PHASE - 4 WIRE - SOLID NEUTRAL												225 AMP MAIN LUGS ONLY			42,000 A.I.C.				
FLUSH MOUNTED - E UIPMENT GROUND BAR												SERIES INTEGRATED RATING							
LIGHTING BRANCH CIRCUIT BREAKERS SHALL BE LISTED FOR SWITCHING DUTY																			
LOAD DESCRIPTION	WIRE SI E			CKT NO	CONN. LOAD (A)			CKT NO	CKT BKR	WIRE SI E			LOAD DESCRIPTION						
	PH	N	GND		PH A	PH B	PH C			PH	N	GND							
PRODUCTION COUNTER (H10.4PD)	12	12	12	2P-50	1	145	4250	2	2P-50	8	8	HOLDING BIN (D93)							
HEAT LAMPS (H10.4PD)	10	10	10	2P-30	5			7	2P-30	13	13	HEATER (H10.4PD)							
HEAT LAMPS (H10.4PD)	10	10	10	2P-30	9			10	1P-20	12	12	LIGHTING (H10.4PD)							
HOLDING UNIT (F15.1)	10	10	10	2P-30	13	1950	540	14	1P-20	12	12	GREASE TRAP (A92)							
HOLDING BIN (D92)	12	12	12	2P-20	17			19	1P-20	12	12	HEAT TRACE B...							
MICROWA E (D20)	10	10	10	2P-30	21			22	1P-20	12	12	ICE CUBER W REM. (K10)							
HAND DRYER	12	12	12	1P-20	25	1920	1238	26	1P-20	12	12	ICE CUBER W REM. (K10)							
UC REFRIG (40)	12	12	12	1P-20	29			30	1P-20	12	12	HOT WTR DISP (D70)							
SHUNT TRIP SPACE	-	-	-	-	31		2000	32	1P-20	12	12	HOLDING BIN (D92)							
FRYER TIMERS (A10. U3)	10	10	10	1P-25	33		2040	34	2P-20	12	12	SPACE							
HOT WTR DISP (D70)	10	10	10	2P-30	35			3	1P-20	12	12	SPACE							
HEAT LAMPS (H10.4PD)	12	12	12	2P-20	39			40	1P-20	12	12	SPACE							
TOTALS					25032			21557			24889			TOTAL K A 81.2			TOTAL AMPS 198.4		

CIRCUIT SCHEDULE												PANEL "D"			S UARE D 'N ' LINE' TYPE HCN				
120 208 OLTS - 3 PHASE - 4 WIRE - SOLID NEUTRAL												225 AMP MAIN LUGS ONLY			42,000 A.I.C.				
FLUSH MOUNTED - E UIPMENT GROUND BAR												SERIES INTEGRATED RATING							
LIGHTING BRANCH CIRCUIT BREAKERS SHALL BE LISTED FOR SWITCHING DUTY																			
LOAD DESCRIPTION	WIRE SI E			CKT NO	CONN. LOAD (A)			CKT NO	CKT BKR	WIRE SI E			LOAD DESCRIPTION						
	PH	N	GND		PH A	PH B	PH C			PH	N	GND							
CON O EN (B10)	10	10	10	3P-30	1	2880		2				SPACE							
CON O EN (B10)	10	10	10	3P-30	7	2880	52	8	3P-30	10	10	CHUB WARMER (D81)							
SPARE	-	-	-	-	11			12	3P-30	10	10	WALK-IN FREE ER (2)							
SPARE	-	-	-	-	13		24	14	3P-30	10	10	COMPRESSOR (E10)							
PANEL "A"	4.0	4.0	4.0	3P-225	19	7,942	4445	20	3P-0	4	10	RTU-1							
PANEL "B"	4.0	4.0	4.0	3P-225	25	10040	4445	26	3P-0	4	10	RTU-2							
PANEL "C"	4.0	4.0	4.0	3P-225	31	31 27	53	32	3P-0	4	10	RTU-3							
TOTALS					4,883			7,157			8,775			TOTAL K A 205.0			TOTAL AMPS 59.0		

VOLTAGE DROP STUDY TYPICAL BRANCH CIRCUIT CALCULATIONS											
ALL COPPER BRANCH CIRCUITS											
WIRE TYPE: CU-1											
WIRE TYPE: AL-2											
FROM	TO	DISTANCE IN FEET	LOAD CURRENT	WIRE TYPE	WIRE SIZE	# OF RUNS	PHASE	LINE VOLTS	DROP FROM PANEL	% DROP FROM PANEL	TOTAL VOLTS FROM UTILITY
MEME	BLDG MAINS	23	300	1	300	2	3	208	6.47	6.47	9.28
PANEL A	BLDG MAINS	6	400	1	300	2	3	208	0.58	0.28	6.31
PANEL B	PANEL A	5	523	1	400	1	3	208	0.66	0.33	6.38
PANEL C	PANEL B	5	523	1	400	1	3	208	0.66	0.33	6.38
PANEL D	PANEL C	7	525	1	400	1	3	208	0.72	0.38	6.38

VOLTAGE DROP STUDY TYPICAL BRANCH CIRCUIT CALCULATIONS											
ALL COPPER BRANCH CIRCUITS											
WIRE TYPE: CU-1											
WIRE TYPE: AL-2											
FROM	TO	DISTANCE IN FEET	LOAD CURRENT	WIRE TYPE	WIRE SIZE	# OF RUNS	PHASE	LINE VOLTS	DROP FROM PANEL	% DROP FROM PANEL	TOTAL VOLTS FROM UTILITY
PANEL A	1000 VA LOAD	130	8	1	12	1	1	120	3.57	3.0	120
PANEL B	1000 VA LOAD	210	8	1	12	1	1	120	3.69	3.0	120
PANEL C	1200 VA LOAD	110	10	1	12	1	1	120	3.64	3.0	120
PANEL D	1200 VA LOAD	175	10	1	12	1	1	120	3.81	3.0	120
PANEL E	1500 VA LOAD	87	13	1	12	1	1	120	3.69	3.0	120
PANEL F	1500 VA LOAD	140	13	1	12	1	1	120	3.64	3.0	120
PANEL G	1000 VA LOAD	72	15	1	12	1	1	120	3.57	3.0	120
PANEL H	1800 VA LOAD	115	15	1	12	1	1	120	3.59	3.0	120

VOLTAGE DROP NOTES:											
1. ALL CONDUCTORS COMPLY WITH THE VOLTAGE DROP REQUIREMENTS: FEEDER VOLTAGE DROP DOES NOT EXCEED 2%. BRANCH CIRCUIT VOLTAGE DROP DOES NOT EXCEED 3%.											

GENERAL NOTES
PROVIDE A "TYPE" WRITTEN DIRECTORY OF ALL CIRCUITS IN EACH

ELECTRICAL RISER DIAGRAM AND PANEL SCHEDULES
SCALE: NOT TO SCALE

REVISIONS	BY

Member of the American Institute of Architects
200 Peachtree Street, N.E., Suite 1000
Atlanta, Georgia 30309
Phone: 404.525.