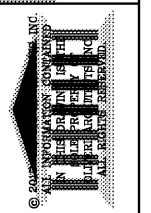


REVISIONS	BY
1	UR

Member of the American Institute of Architects
 130 Peachtree Street, N.E., Atlanta, Georgia 30309
 Phone (404) 524-3000 Fax (404) 524-3001
 www.alvartan.com



POPEYE'S
 William O. Ritola, P.E.
 3800 Peachtree Road, Suite 300
 Atlanta, Georgia 30305
 License No. 33767
 Copyright 2017 Project No. 17074

New Free Standing Building for
POPEYE'S
 US Highway 29 & Nease Drive
 Athens, Georgia

Date: 11. 07. 17
 Scale: AS NOTED
 Project Mgr: DG
 Drawn: IT/WR
 Job: 17-083

GENERAL NOTES

- ALL 15 AND 20 AMP, 125 VOLT RECEPTABLES IN THE KITCHEN AND SERVICE AREA SHALL BE GFCI PROTECTED IN ACCORDANCE WITH NEC 210.8(B)(2). PROVIDE GFCI RECEPTABLES IN THE KITCHEN AND SERVICE AREA.
- DEVICE LOCATIONS AND MOUNTING HEIGHTS SHOWN ARE RECOMMENDED BY DUNKIN' DONUTS, HOWEVER FIELD CONDITIONS MAY VARY.
- COORDINATE THE EXACT LOCATIONS AND MOUNTING HEIGHTS OF RECEPTABLES, VOICE/DATA OUTLETS AND ALL OTHER ELECTRICAL DEVICES WITH THE OWNER PRIOR TO ROUGH-IN.
- ALL DEVICE DIMENSIONS ARE AFF TO C/L UNLESS OTHERWISE NOTED.
- P.O.S. - POINT OF SALE TERMINAL, LABEL RECEPTACLE "P.O.S. ONLY". COORDINATE CONDUIT ROUTING AND JUNCTION BOX LOCATIONS FOR P.O.S NETWORK WIRING WITH THE OWNER PRIOR TO ROUGH-IN.
- REFER TO KITCHEN EQUIPMENT SCHEDULE FOR ADDITIONAL INFORMATION (CROSS) VERIFY ALL EQUIPMENT REQUIREMENTS WITH OWNER PRIOR TO ROUGH-IN.
- KITCHEN EQUIPMENT AND REFRIGERATION IS TO BE PROVIDED BY THE OWNER. VERIFY ALL EQUIPMENT PRIOR TO ROUGH-IN.
- NO AS-BUILT OR PANEL SCHEDULE INFORMATION AVAILABLE. THE CONTRACTOR SHALL VERIFY CIRCUIT WITHIN THE EXISTING PANELS THAT AREA BEING TO REMAIN AND NOTIFY THE ARCHITECT IF ANY CONFLICT ARISES WITH THE NEW EQUIPMENT CIRCUITS PRIOR TO ROUGH-IN.
- SEE P.O.S. COMMUNICATIONS PLAN FOR FURTHER INFORMATION REGARDING P.O.S. AND UNDER COUNTER ELECTRICAL SERVICE.
- ELECTRICAL CONTRACTOR TO PROVIDE "OFF" PIGTAIL ON ALL CIRCUIT CARRYING.
- PROVIDE JUNCTION BOXES AT "HANDS, SINKS AND OPTIC TERMINAL" TERMINATE "HANDS FREE" TOILET FIXTURES BEING PROVIDED.
- REFER TO P.O.S. COMMUNICATIONS FLOOR PLAN FOR LOCATION AND ELEVATIONS OF OFFICE RECEPTABLES. CONNECT THE DRIVE THRU MENU BOARD LIGHTING AND DT CANNOPY LIGHTING CIRCUITS TO THE TIMECLOCK.
- ELECTRICAL PANELS SHALL BE RECESSED WITH FLUSH PANEL COVERS.
- CONTRACTOR TO MOUNT RECEPTABLE IN THE CEILING BEHIND THE MENUBOARD. VERIFY ACTUAL LOCATION WITH ARCHITECT PRIOR TO INSTALLING.
- COORDINATE ALL EQUIPMENT UTILITY INFORMATION SHOWN ON THIS SHEET WITH THE DUNKIN' BRANDS EQUIPMENT SCHEDULE AND EQUIPMENT MANUFACTURER'S CUT SHEETS.

KEYED NOTES

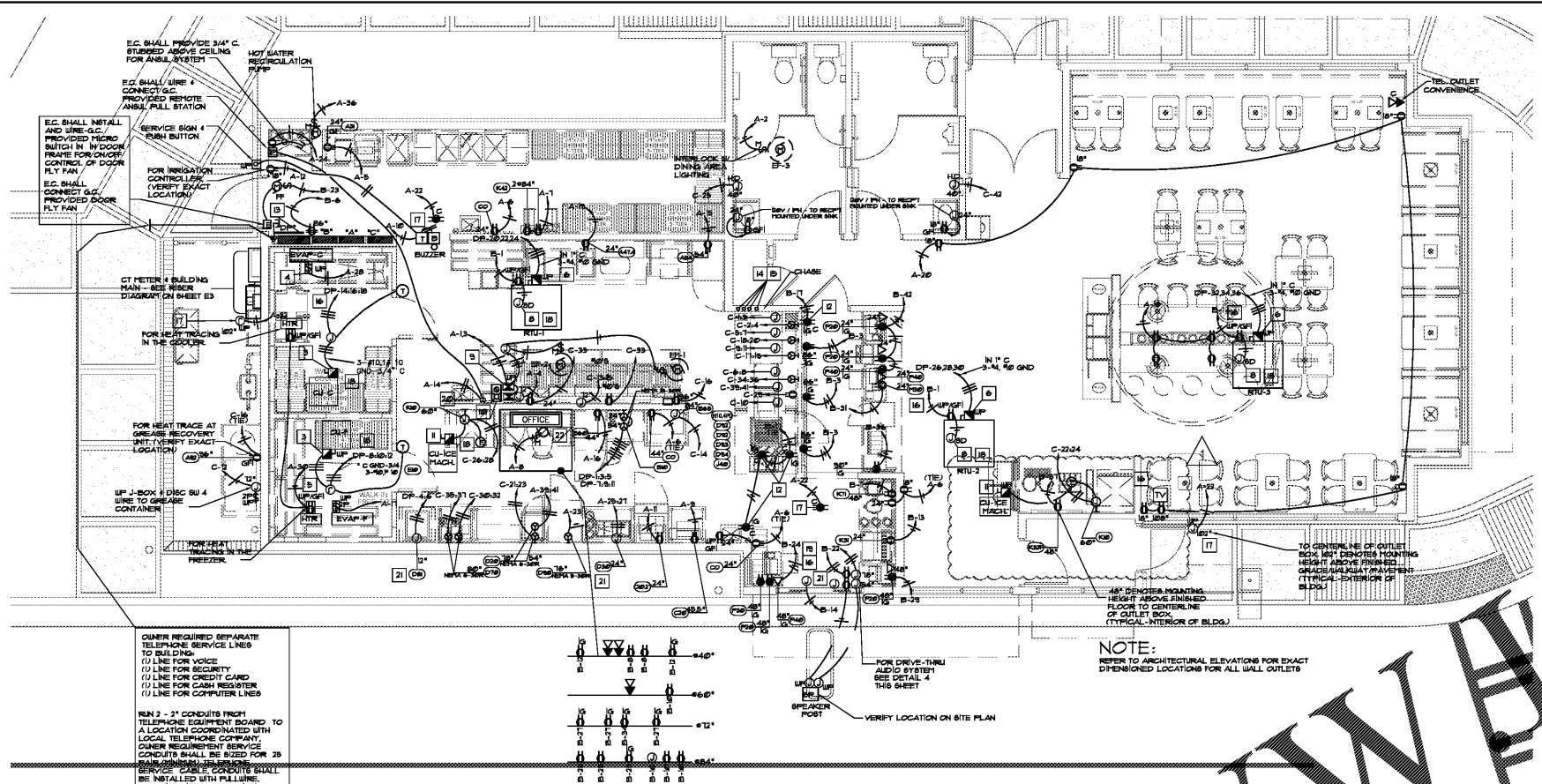
- REFER TO FOOD SERVICE DRAWING K1 FOR TAG LOCATIONS NOT SHOWN THIS SHEET.
- REFER TO HVAC DRWG. H1 FOR EXACT LOCATIONS FOR MECHANICAL HVAC EQUIPMENT.
- 3P30A NEMA 3R RUBBED DISC, 110V IN COND. UNIT LOCATED ON ROOF. FUSE PER EQUIPMENT NAMEPLATE. LIQUID TIGHT FLEX CONNECTION.
- MAKE FINAL POUWER CONNECTION TO WALK-IN COOLER EVAPORATOR. PROVIDE FREEZER SWITCH IN CABT BOX.
- MAKE FINAL POUWER CONNECTION TO WALK FREEZER. FREEZER EVAP., DEFROSTER HEAT TAPE 4 DOOR HEAT
- PROVIDE LOCAL 3P30A NEMA 3R RUBBED DISC SWL ON A/C RTR'S LOCATED BY EQUIP. NAMEPLATE. PROVIDE LIQUID TIGHT FLEX CONN. TO UNIT.
- PROVIDE GFCI PROTECTED 200 AMP DUPLEX CIRCUIT. INSTALLED IN THE BOX W/ WP COVER AT RTR (TYP).
- PROVIDE 120V WIRING TO DUCT MOUNTED SMOKE DETECTORS AND REMOTE TEST INDICATORS. FOR EXACT LOCATIONS OF SMOKE DETECTORS, REMOTE TEST INDICATORS 4 TEST SW'S. (SEE HVAC PLANS).
- EC SHALL INSTALL AND WIRE RELAY CONTROL PANEL PACKAGE FOR HOOD EXHAUST FANS EF-1 AND EF-2. PROVIDE POUWER AND INTERLOCK CONTROL WIRING FOR HP-F CONTROL PANEL AND HOOD FIRE SUPPRESSION SYSTEM. SEE HOOD FAN CONTROL INTERLOCK WIRING DIAGRAM SHEET M2. MOUNT STARTERS AND CONTROLS ON WALL.
- "ON/OFF" SELECTOR SWITCH AND PILOT LIGHT IN NEMA 4X STAINLESS STEEL ENCLOSURE MOUNTED ON THE FACE OF THE HOOD. PROVIDED BY HOOD MFR.
- PROVIDE 3P30A NEMA 3R RUBBED DISC SWITCH 4 LT. FLEX CONNECTION TO ROOF MTD ICE MAKER COND UNIT, FUSE SIZE PER MFG'S NAMEPLATE DATA.
- PROVIDE CEILING OUTLET W/ ISOLATED GROUND RECEPTABLE SUPPORTED FROM BLDG STRUCTURE FOR VIDEO MONITOR/PRINTER 4 OR HEADSET. VERIFY EXACT REQUIREMENTS 4 LOCATION.
- PROVIDE 3/4" x 1/8" x 24" W/ PLYWOOD TELEPHONE BOARD PAINTED WITH 2 COATS OF "LISTED" FIRE RETARDANT LIGHT GRAY COLOR PAINT. AT 96" AFF. PROVIDE GND RECEPTACLE ADJACENT TO BOARD. PROVIDE #6 CU. GROUND TO SERVICE ENTRANCE. GROUND, SEE DETAIL ARCHITECTURAL ELEVATIONS.
- PROVIDE CEILING DROPS FOR PRODUCTION COUNTER BRANCH CIRCUITS TO CEILING MOUNTED J-BOXES TO SERVE ALL ELECTRICAL IN CTR.
- PRODUCTION COUNTER ELECTRICAL POWR CIRCUITS. REFER TO PANEL SCHEDULE "C" FOR CIRCUIT NOS. REFER TO EQUIPMENT SUPPLIER SHOP DRAWINGS FOR EXACT LOCATIONS AND TYPE OF CONNECTIONS FOR EQUIPMENT AND HEAT LIGHTS IN/ON PRODUCTION COUNTER.
- BRANCH CIRCUIT(S) CONTINUED TO ADDITIONAL OUTLETS, HOMERUN SHOWN FOR CLARITY ONLY.
- OUTLET AND CONNECTION FOR SECURITY CAMERA. VERIFY EXACT LOCATIONS AND TYPE CONNECTIONS FOR INDOOR AND OUTDOOR CAMERAS WITH G.C.
- ROUTE ALL CONDUIT ROOF PENETRATIONS THRU (WITH-IN) ROOF CURBS FOR THE EQUIPMENT. REFER TO MECH PLANS FOR CURB DETAILS. (TYPICAL)
- PROVIDE 1" CONDUIT TO 6" ABOVE CEILING.
- HOOD ANSUL FIRE SUPPRESSION SYSTEM.
- MAKE FINAL CONNECTION TO EQUIPMENT
- OFFICE EXHAUST FAN SHALL BE INTERCONNECTED TO OPERATE WITH AREA LIGHTING. INTERLOCK EXHAUST FAN WITH LIGHTS.

P.O.S. NOTES:

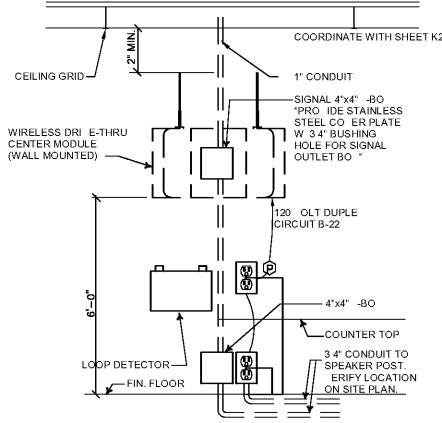
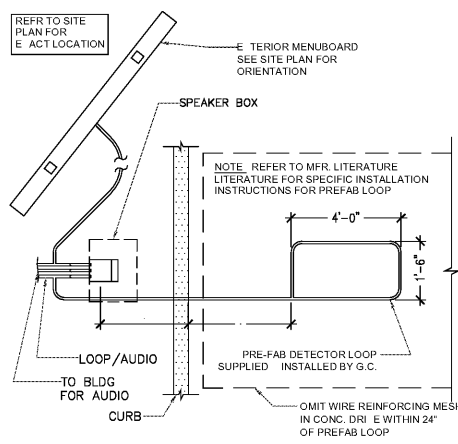
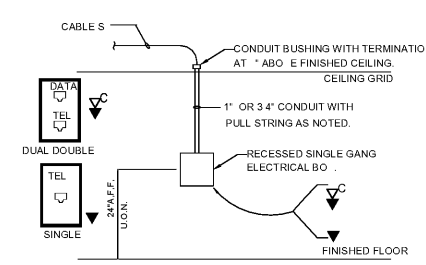
- ALL P.O.S. (POINT OF SALE) CIRCUITS SHALL HAVE AN ISOLATED GROUND WIRE BACK TO THE PANEL. ALL P.O.S. EQUIP. SHALL BE WIRED INDEPENDENTLY OF ANY NON-P.O.S. EQUIPMENT.
- ALL RECEPTABLES FOR P.O.S. EQUIPMENT SHALL BE ISOLATED GROUND WITH SURGE SUPPRESSOR TYPE. ALL RECEPTABLES FOR P.O.S. EQUIPMENT SHALL BE SINGLE UNIT, UNLESS A DUPLEX RECEPTACLE CAN BE USED TO SUPPLY TWO P.O.S. UNITS. DUPLEX RECEPTABLES MAY BE USED IN THE MANAGERS' OFFICE FOR NON-P.O.S. EQUIPMENT (COMPUTER, MUSIC, FIRE ALARM, SECURITY, ETC).
- ALL CIRCUITS FOR P.O.S. EQUIPMENT SHALL BE CONNECTED TO THE SAME PHASE OF POWR IN THE PANEL. ALL BRANCH CIRCUIT BREAKERS SUPPLYING P.O.S. EQUIPMENT SHALL HAVE LOCKING HANDLES DEVICES.
- EACH RECEPTACLE TYPE (LOCKING OR STRAIGHT BLADE) SHALL MATCH THAT OF THE EQUIPMENT FURNISHED. WHERE P.O.S. EQUIPMENT IS FURNISHED WITHOUT A PLUG THE RECEPTACLE SHALL BE LOCKING TYPE. COORDINATE RECEPTACLE TYPES WITH THE P.O.S. EQUIPMENT SUPPLIER.

GENERAL NOTES:

- VERIFY MOUNTING HEIGHTS OF ALL RECEPTABLES WITH EQUIPMENT SUPPLIER PRIOR TO INSTALLATION.
- ALL EQUIPMENT ELECTRICAL OUTLETS ARE DIMENSIONED TO CENTERLINE OF BOX FROM ABOVE FINISHED FLOOR.
- ELECTRICAL CONTRACTOR TO PROVIDE CORD 4 PLUG CONNECTIONS FOR EQUIPMENT AS REQUIRED.



NOTE: REFER TO ARCHITECTURAL ELEVATIONS FOR EXACT DIMENSIONED LOCATIONS FOR ALL WALL OUTLETS



FOODSERVICE EQUIPMENT

ITEM NO	QTY	DESCRIPTION	ELECTRICAL					
			AMPS	KW	HP	VOLTS PHASE DIRECT PLUG		
A - FRYING								
A10.03	2	Fryer Battery, 3-20", Gas	8.5		1/4	120	1	X
A31	1	Marinator - (reduced height)	5.0			115	1	X
A47.4	1	Ice Batter / Sifter Table, 4 Pans, 1000	3.3			115	1	X
A54	1	Freezer, Upright	12.0		1/2	115	1	X
A92	1	Grease Collection System	10.0	1.2		115	1	X
B - BAKING								
B10	1	Oven, 12 Size Double Deck Convection, Elec.	24.0	2.6		208	3	X
B60	1	Refrigerator, Upright	12.0		1/3	115	1	X
B65	1	Biscuit Holding Unit (Optional)	4.5	1.44		120	1	X
C - SANDWICH								
C10.27	1	REFRIGERATOR, SANDWICH UNIT	6.5		1/5	115	1	X
C20	1	Toaster, Vertical Contact	13.0	1.5		115	1	X
D - PREP								
D20	2	Microwave Oven (Verify Requirements)	20.0	4.0		208	1	X
D22	1	Shelf, Microwave Oven						
D30	1	Packing Station w/ Cup Disp. & Dipper	208				1	X
D40	1	Sink, 3 Compartment, 94" Long, 18" D						
D70	2	Dispenser, Hot Water, w/ Wall Mt	19.2	0.3		208	1	X
DB1	1	Chubb Warmer, Elec. Rethermalizer	47.6			208	1	X
D90	1	Holding Cabinet, Reach-In	17.6			120	1	X
D92	2	Side Items Holding Units, Pass	3.33			208	1	X
D93	1	Chicken Holding Cabinet (Verify Requirements)	6.16			208	1	X
D94	1	Deli Holding Unit, 12 Pans (4 Compart)	5.7			208	1	X
E - WALK-IN								
E10.1	1	Walk-In Cooler Condenser	VERIFY WITH MANF.			208	3	X
E20.1	1	Walk-In Freezer Condenser	VERIFY WITH MANF.			208	3	X
F - VENTILATION								
F15.1	1	Heated Holding Unit, Wall Mount	3.9			208	1	X

SCHEMATIC SERVICE EQUIPMENT

ITEM NO	QTY	DESCRIPTION	ELECTRICAL					
			AMPS	KW	HP	VOLTS PHASE DIRECT PLUG		
H - PRODUCTION								
H10.4PD	1	Production Counter Dual Line 52 1/4" x 34" (Prince Castle)	14.0	5		120/208	1	X
H81	1	Window, Drive-Thru, Automate	120			120	1	X
J - FRONT SERVICE COUNTER								
J40	1	Refrigerator, Undercounter	5	1.50		120	1	X
K - DRINKS								
K10	2	Ice Cuber Remote Condenser	11.9	6.7	1/2	208-230	1	X
K31	1	Soda Dispenser, 8 Head, Drop-In, Fast Flow	1.5			115	1	X
K32	1	Ice Dispenser Counter w/ Ice Bin	4.0			115	1	X
K42	1	Bag-in-Box Rack w/ Carbonators 4r2 Shelves	1/3			115	1	X
L - COFFEE								
L10	1	Coffee Brewer, 4 & Coffee	14.0	1.7		120	1	X
M30	1	Office Wall Cabinet				120	1	X
N - MISC.								
N31	2	Water Heater	0.175			120	1	X
P - POINT OF SALE								
P20	4	Cash Register				115	1	X
P30	3	Printer				115	1	X
Q - SIGNAGE								
Q11	1	Menu board, 3 Panels				115	1	(3) X
Q12	1	Pre-Sell Menuboard, Digital 1 Panels				115	1	(1) X
Q20	2	Menuboard, Drive-Thru				115	1	X
Q21	1	Remote Speaker Tower, Drive-Thru				115	1	X
Q24	1	Order Confirmation Board	15.0			115	1	X
CO		Convenience Outlet				115	1	

NOTES

- FOR DIRECT CONNECTION EQUIPMENT A LOCAL DISCONNECTING MEANS SHALL BE PROVIDED IN ACCORDANCE WITH NEC LOCAL CODE REQUIREMENTS.
- CONTRACTOR SHALL FIELD VERIFY AND CONFIRM FINAL EQUIPMENT REQUIREMENTS WITH EQUIPMENT NAME PLATES AND OWNER.

ELECTRICAL POWER PLAN

SCALE: 3/16"=1'-0"

