

FIRE DEPARTMENT REVIEW
 EXHAUST HOOD FIRE SUPPRESSION
 SHALL BE PERFORMED BY THE LOCAL
 FIRE DEPARTMENT AT TIME OF PERMIT SUBMITTAL.

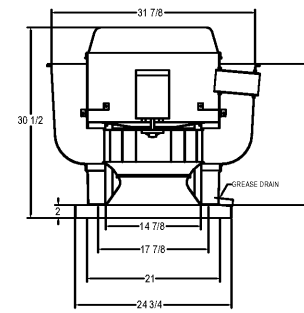
- NOTES**
- FIELD PIPE DROPS AS SHOWN
 - SLEEVING, ELBOWS, TEES, AND NOZZLES SUPPLIED BY CAS
 - RELOCATE NOZZLES IF FLOW PATTERN IS BLOCKED BY SHELVING, SALAMANDERS, ETC.
 - MAXIMUM 9 ELBOWS IN SUPPLY LINE.
 - MINIMUM 72 INCHES OF AGENT LINE FROM TANK TO FIRST NOZZLE.
 - IF APPLICABLE, PRE-PIPED CHARBROILER DROPS ARE SHIPPED LOOSE.
 - FACTORY PIPING EXTENDS A MAXIMUM OF 6" ABOVE THE TOP OF THE HOOD.

- APPLIANCE DIMENSIONS LISTED REPRESENT THE COOKING SURFACE SIZE, NOT THE OVERALL APPLIANCE SIZE.
- THIS FIRE SYSTEM COMPLIES WITH U.L. 300 REQUIREMENTS

Job Name: Popeyes
 Drawn By:
 System Size: ANSUL-3.0/3.0 Total FP required: 16
 Hood # 1 11' 3.00" Long x 28" Wide x 12" High
 Riser # 1 Size: 7" x 12"
 Riser # 2 Size: 7" x 12"
 Hood # 1 Metal Blow-Off Caps included.

LEGEND - WALL MOUNTED ANSUL SYSTEM

- 1B 3.0 GALLON TANK
- 2 AUTOMAN RELEASE
- 3 3 GALLON TANK ENCLOSURE
- 9 ANSULEX LIQUID AGENT (3 GAL)
- 9 CARTRIDGE (101-30)
- 10 TEST LINK
- 11 DOUBLE MICROSWITCH
- 1W NOZZLE ASSEMBLY (419336)
- 1N NOZZLE ASSEMBLY (419335)
- 290 NOZZLE ASSEMBLY (419342)
- 28 DETECTOR BRACKET
- 30 HIGH TEMP FUSIBLE LINK
- MGV MECHANICAL GAS VALVE
- 34 REMOTE MANUAL PULL STATION
- S SWIVEL ADAPTOR



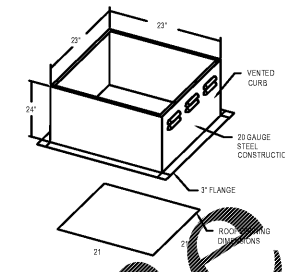
FEATURES

- ROOF MOUNTED FANS
- INSULATION MODEL
- UL-RO AND UL-TC
- VARIABLE SPEED CONTROL
- INTERNAL WIRING
- WEATHERPROOF DISCONNECT
- INTERNAL OVERLOAD PROTECTION (BROKE PHASE)
- HIGH HEAT OPERATION (180°F/82°C)
- GREASE CLASSIFICATION TESTING

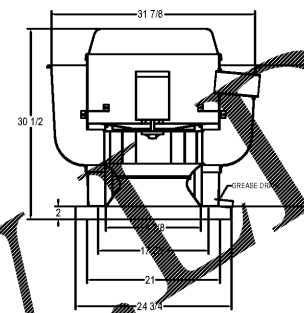
NORMAL TEMPERATURE TEST
 EXHAUST FAN MUST OPERATE CONTINUOUSLY WHILE EXHAUSTING BURNING GREASE VAPORS UNTIL ALL FAN PARTS HAVE REACHED 180°F (82°C) FOR A PERIOD OF 15 MINUTES WITHOUT THE FAN BEING DAMAGED TO ANY EXTENT THAT COULD CAUSE AN UNSAFE CONDITION.

ABNORMAL TEMPERATURE TEST
 EXHAUST FAN MUST OPERATE CONTINUOUSLY WHILE EXHAUSTING BURNING GREASE VAPORS AT 180°F (82°C) FOR A PERIOD OF 15 MINUTES WITHOUT THE FAN BEING DAMAGED TO ANY EXTENT THAT COULD CAUSE AN UNSAFE CONDITION.

OPTIONAL
 GREASE BOX



FAN (EF-2) DUBSHFA



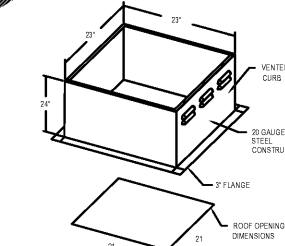
FEATURES

- ROOF MOUNTED FANS
- INSULATION MODEL
- UL-RO AND UL-TC
- VARIABLE SPEED CONTROL
- INTERNAL WIRING
- WEATHERPROOF DISCONNECT
- INTERNAL OVERLOAD PROTECTION (BROKE PHASE)
- HIGH HEAT OPERATION (180°F/82°C)
- GREASE CLASSIFICATION TESTING

NORMAL TEMPERATURE TEST
 EXHAUST FAN MUST OPERATE CONTINUOUSLY WHILE EXHAUSTING BURNING GREASE VAPORS UNTIL ALL FAN PARTS HAVE REACHED 180°F (82°C) FOR A PERIOD OF 15 MINUTES WITHOUT THE FAN BEING DAMAGED TO ANY EXTENT THAT COULD CAUSE AN UNSAFE CONDITION.

ABNORMAL TEMPERATURE TEST
 EXHAUST FAN MUST OPERATE CONTINUOUSLY WHILE EXHAUSTING BURNING GREASE VAPORS AT 180°F (82°C) FOR A PERIOD OF 15 MINUTES WITHOUT THE FAN BEING DAMAGED TO ANY EXTENT THAT COULD CAUSE AN UNSAFE CONDITION.

OPTIONAL
 GREASE BOX



EXHAUST FAN INFORMATION

| FAN UNIT NO. | FAN UNIT MODEL # | MODEL | TAG | CFM | ESP | RPM | H.P. | Ø | VOLT | FLA | WEIGHT (LBS) | SONES |
|--------------|------------------|---------|--------|-----|-------|------|-------|---|------|------|--------------|-------|
| 1 | DUBSHFA | DUBSHFA | HOOD 1 | 935 | 1.260 | 1205 | 0.750 | 1 | 115 | 13.0 | 77.89 | 13.2 |
| 2 | DUBSHFA | DUBSHFA | HOOD 1 | 935 | 1.260 | 1205 | 0.750 | 1 | 115 | 13.0 | 77.89 | 13.2 |

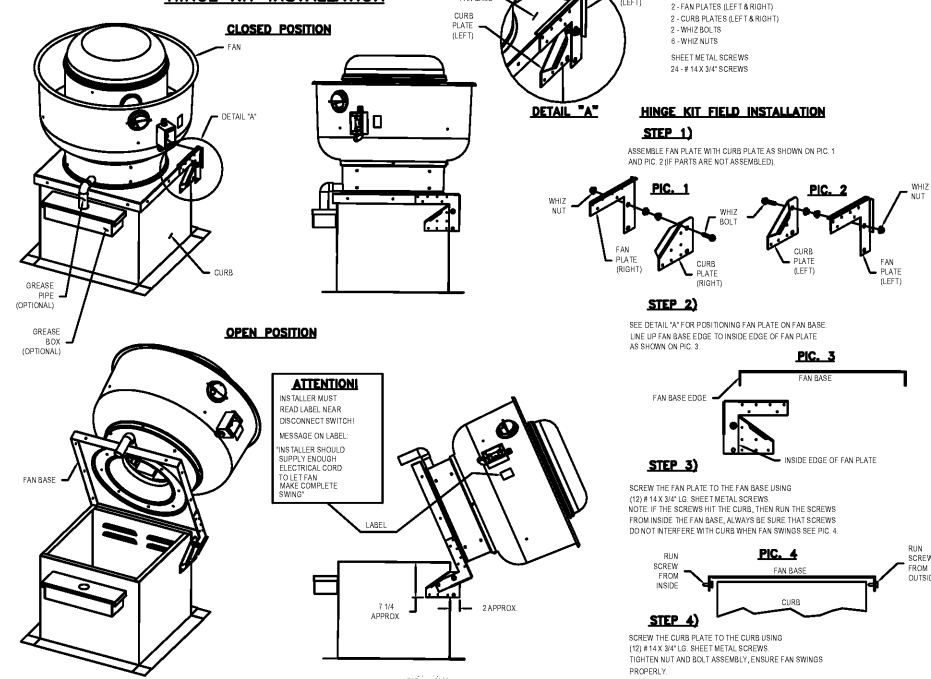
CURB ASSEMBLIES

| NO. | ON FAN | WEIGHT | ITEM | SIZE |
|-----|--------|--------|------|--|
| 1 | #1 | 41 LBS | Curb | 23.000"W x 23.000"L x 24.000"H - Vented Hinged |
| 2 | #2 | 41 LBS | Curb | 23.000"W x 23.000"L x 24.000"H - Vented Hinged |

FAN OPTIONS

| FAN UNIT NO. | OPTION (Qty - Descr) |
|--------------|----------------------|
| 1 | 1 - Grease Box |
| 2 | 1 - Grease Box |

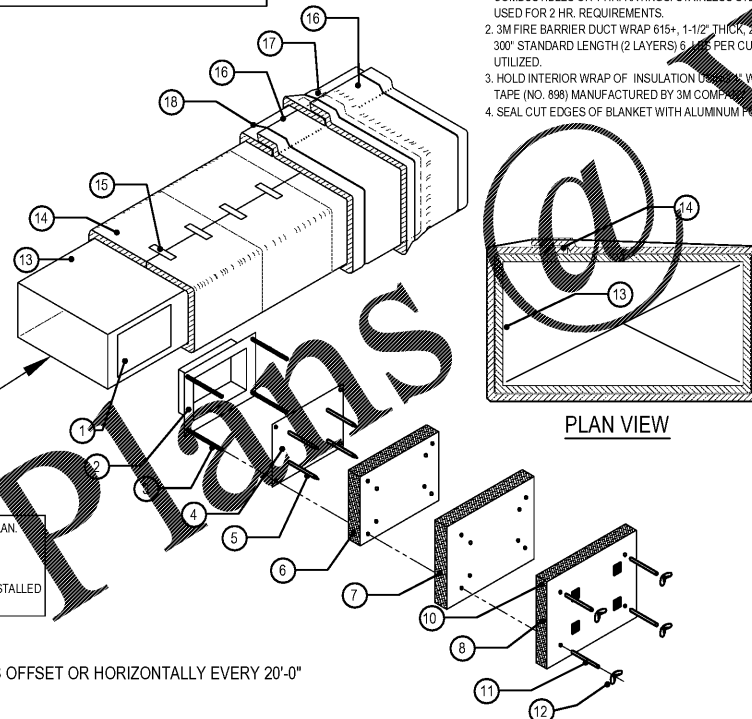
HINGE KIT INSTALLATION



INSTALLATION NOTE:
 FIRE WRAP SHALL ONLY BE USED WHERE COMBUSTIBLES ARE PRESENT WITHIN 18" OF GREASE EXHAUST RISER.

- NOTES:**
1. BANDING MATERIAL, 3/4" WIDE, MINIMUM 0.015" THICK, CARBON STEEL FOR CONSTRUCTION REQUIREMENTS OF ZERO CLEARANCE TO COMBUSTIBLES OR 1 HR. RATINGS. STAINLESS STEEL BANDING IS USED FOR 2 HR. REQUIREMENTS.
 2. 3M FIRE BARRIER DUCT WRAP 615+ 1-1/2" THICK, 1/8" WIDE, 300" STANDARD LENGTH (2 LAYERS) 6 MIL PER CUBIC INCH ARE UTILIZED.
 3. HOLD INTERIOR WRAP OF INSULATION UNDER WIDE FRAME TAPE (NO. 898) MANUFACTURED BY 3M COMPANY.
 4. SEAL CUT EDGES OF BLANKET WITH ALUMINUM TAPE.

- LEGEND**
- 1 DOOR HOLE
 - 2 ACCESS FRAME WELDED TO DUCT
 - 3 1/4" DIA. ALL THREAD RODS
 - 4 ACCESS COVER, 16 GA.
 - 5 INSULATION PINS, WELDED
 - 6 1 3M FIRE BARRIER 615 PLUS
 - 7 1 3M FIRE BARRIER 615 PLUS 1" OVERLAP
 - 8 1 3M FIRE BARRIER 615 PLUS 1" OVERLAP
 - 9 SPEED CLIPS
 - 10 ALUMINUM TAPE EDGES
 - 11 SPOOL PIECES FOR THREADED RODS
 - 12 1/4" DIA. WING NUTS
 - 13 16 GA. SHEET METAL DUCT (FULLY WELDED WATER TIGHT)
 - 14 1ST LAYER 3M FIRE BARRIER DUCT WRAP 615 PLUS LONGITUDINAL JOINT BUTT OR MIN. 3" OVERLAP ON INNER LAYER, MIN. 3" OVERLAP ON OUTER LAYER
 - 15 3/4" (19mm) WIDE FILAMENT TAPE
 - 16 2ND LAYER 3M FIRE BARRIER DUCT WRAP 615 PLUS OR APPROVED EQUIVALENT
 - 17 3" MINIMUM PERIMETER OVERLAP - TYP.
 - 18 STEEL BANDING 1/2" WIDE MIN. TYP. FOR PERMANENT FASTENING



FULLY WELDED GREASE RATED EXHAUST DUCT. SEE SIZE ON PLAN. RISER SHALL BE LIGHT INSPECTED LAYING ON FLOOR. FULLY PREPARE FOR SCHEDULED INSPECTION. HVAC CONTRACTOR SHALL VERIFY TEST PRIOR TO SCHEDULE. THE USE OF U.L. LISTED PREFABBED DUCT BY ANOTHER AIRER. INSTALLED CORRECTLY MAY BE EXEMPT FROM LIGHT INSPECTION IF USED.

NOTE: 10' REQUIRED GROSS OFFSET OR HORIZONTALLY EVERY 20'-0"

1 HR FIRE WRAP ("0" CLEARANCE) TO COMUSTIBLES - INSTALLATION DETAIL

REVISIONS

| NO. | DESCRIPTION | DATE |
|-----|------------------|---------|
| 1 | ISSUE FOR PERMIT | 2-28-13 |

CAPTIVE

PIEDMONT AREA OFFICE

495 BUCKHURST DR., KERNERSVILLE, NC 27284 PHONE (336) 999-6484 FAX (336) 999-0418 EMAIL reg30_captive@com

www.captive.com

REVISIONS BY

OLIVERI ARCHITECTS

Member of the American Institute of Architects
 32707 US Hwy 19 • Palm Harbor, FL 34684
 Phone 727 781 7555 • Fax 727 781 6923
 www.oliveriarchitects.com

Joseph L. Oliveri, AIA
 State of Georgia
 License #RA018502

New Free Standing Building for
POPEYE'S
 US Highway 29 & Nease Drive
 Athens, Georgia

Date: 07.25.17
 Scale: AS NOTED
 Project Mgr: DG
 Drawn:
 Job: 17-083
 Sheet

M4

Order Plans

GEORGIA REGISTERED PROFESSIONAL ENGINEER

Shane R. Hamilton P.E.
 CONSULTING ENGINEER

1717 N. Howard Avenue
 Tampa, FL 33607 (813) 291-6946

HOOD ANSUL, EXHAUST FAN DETAILS