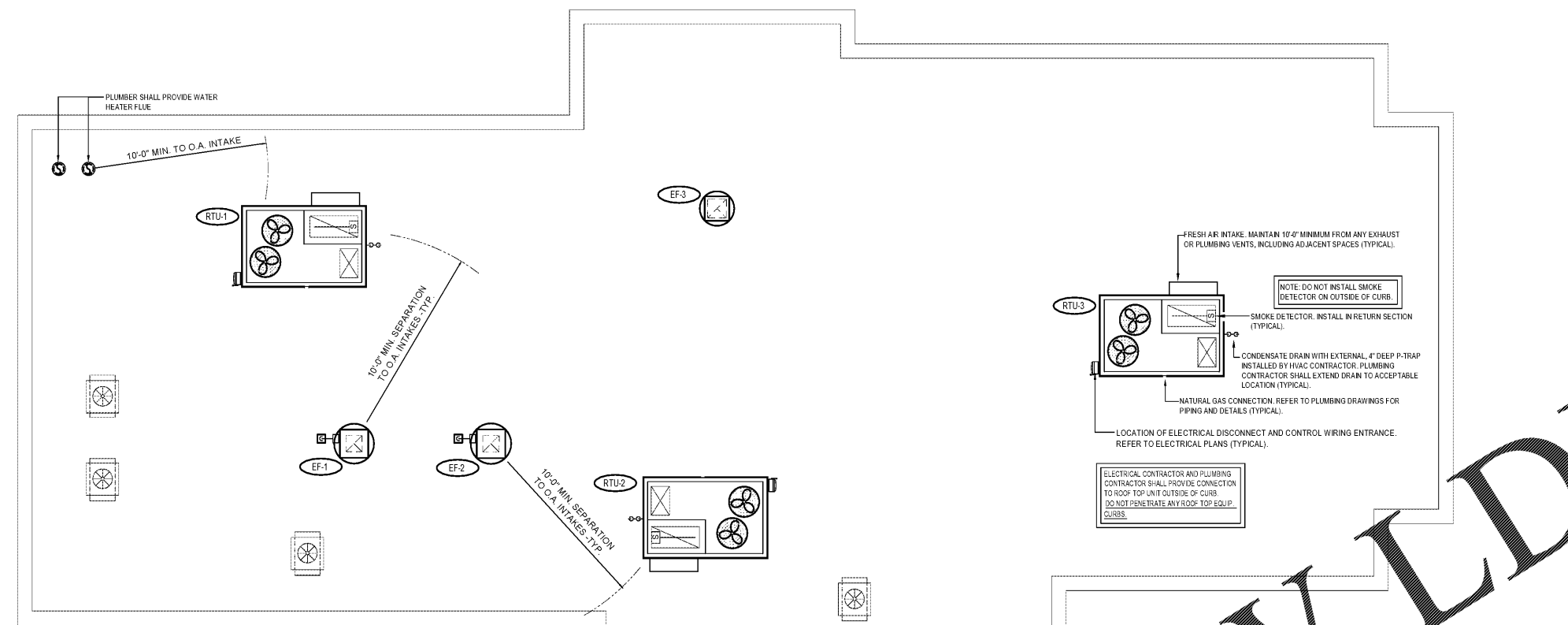


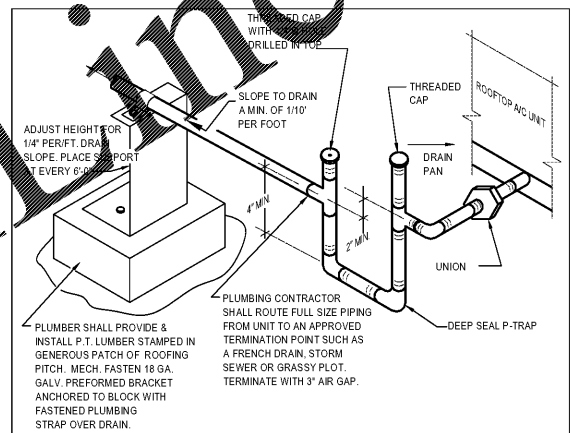
DRAWING INFORMATION		
DATE	DESCRIPTION	BY
11-01-17	FOR PERMITTING REVIEW	TJ

**N-C-A**  
 CONSULTANTS/GROUP  
 4545 140TH AVE. NORTH, SUITE #1009  
 CLEARWATER, FLORIDA  
 PHONE: (877) 530-0078  
 CALL NCA MARKETING FOR PRICING  
 NCA 026F 11-1075

REVISIONS	BY

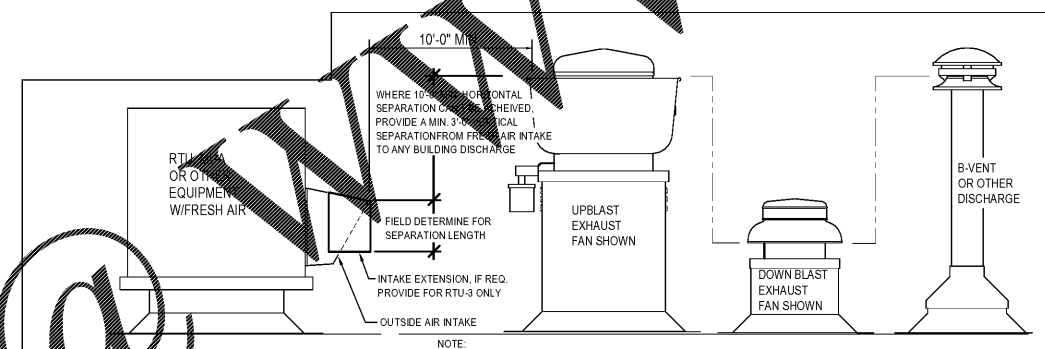
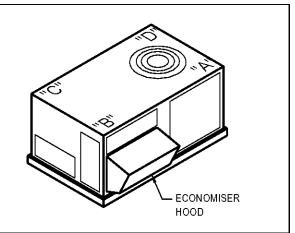


**ROOF PLAN - HVAC**  
 SCALE 1/4" = 1' - 0" WHEN PLOTTED 36" X 24"

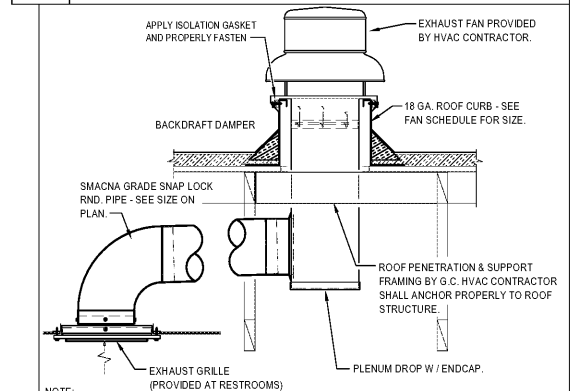


**7 CONDENSATE P-TRAP DETAIL**  
 NOT TO SCALE

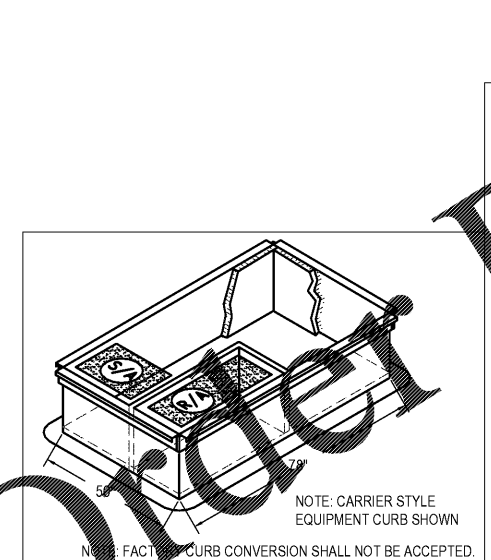
PACKAGE ROOFTOP UNIT WIEGHTS		
UNIT NUMBER	RTU-1 & 2	RTU-3
UNIT NUMBER	CARRIER 7.5 -TON	CARRIER 8.5-TON
UNIT MODEL	48TCEA08	48TCEA09
TOTAL WEIGHT WITH CURB	950#	1080#
CORNER WEIGHT WITH CURB "A"	220#	245#
CORNER WEIGHT WITH CURB "B"	200#	225#
CORNER WEIGHT WITH CURB "C"	250#	285#
CORNER WEIGHT WITH CURB "D"	280#	325#
OPTION WEIGHT - (ECONOMIZER, ETC)	75# @ CORNER "B"	75# @ CORNER "B"
TOTAL WEIGHT WITH CURB & OPTION	1025#	1155#



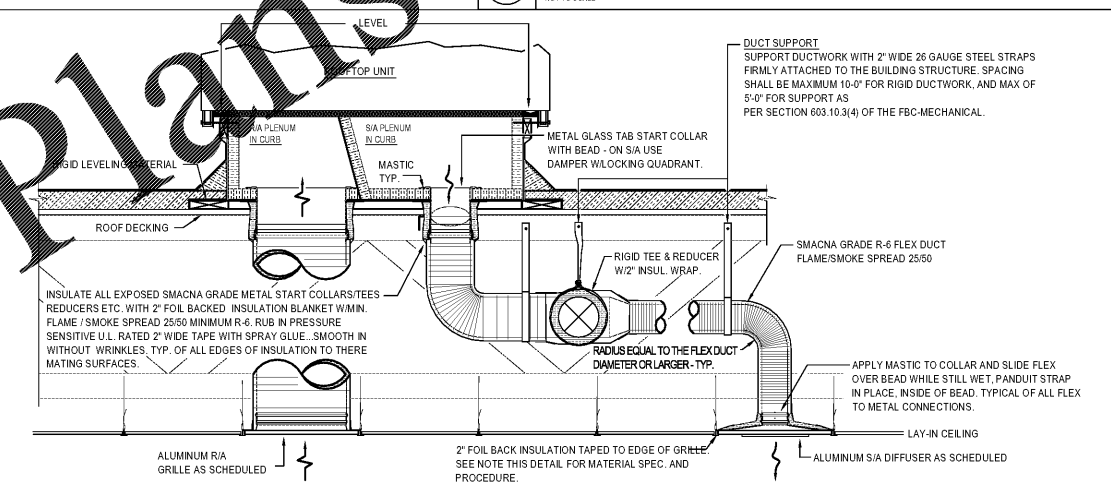
**5 HVAC VENTILATION CLEARANCE DIAGRAM**  
 NOT TO SCALE



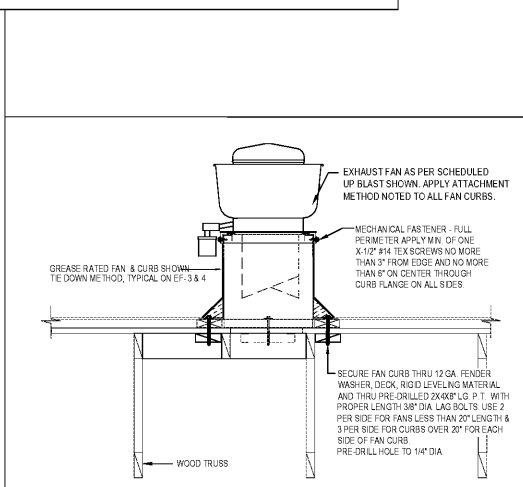
**6 EXHAUST FAN DETAIL (EF-3) - RESTROOM**  
 NOT TO SCALE



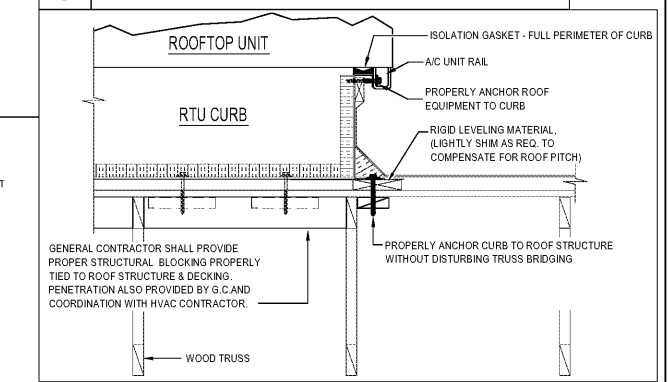
**1 NCA RTU PLENUMIZED CURB DETAIL**  
 NOT TO SCALE



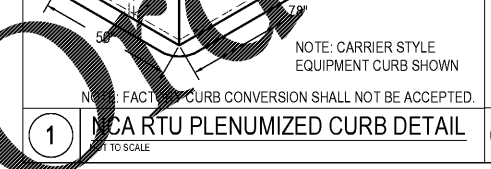
**2 FLEXDUCT CONNECTION/INSTALL DETAIL**  
 NOT TO SCALE



**3 FAN CURB HURRICANE MOUNTING DETAIL**  
 NOT TO SCALE



**4 ROOF EQUIP. CURB MOUNTING DETAIL**  
 NOT TO SCALE



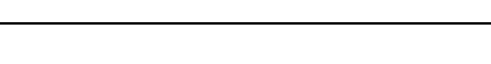
**1 NCA RTU PLENUMIZED CURB DETAIL**  
 NOT TO SCALE

**2 FLEXDUCT CONNECTION/INSTALL DETAIL**  
 NOT TO SCALE

**3 FAN CURB HURRICANE MOUNTING DETAIL**  
 NOT TO SCALE



**4 ROOF EQUIP. CURB MOUNTING DETAIL**  
 NOT TO SCALE



**1 NCA RTU PLENUMIZED CURB DETAIL**  
 NOT TO SCALE

**2 FLEXDUCT CONNECTION/INSTALL DETAIL**  
 NOT TO SCALE

**3 FAN CURB HURRICANE MOUNTING DETAIL**  
 NOT TO SCALE

**SHANE R. HAMILTON**  
 PE  
 1717 N. Harvard Avenue  
 Tampa, FL 33607 (813) 281-6848

**SHANE R. HAMILTON**  
 PE  
 1717 N. Harvard Avenue  
 Tampa, FL 33607 (813) 281-6848

**HVAC ROOF PLAN & DETAILS**

**OLIVERI ARCHITECTS**  
 Member of the American Institute of Architects  
 3207 US Hwy. 19 • Palm Harbor, FL 34684  
 Phone: 727.781.7025 • Fax: 727.781.6623  
 www.oliveriarchitects.com

Joseph L. Oliveri, AIA  
 State of Georgia  
 License: RA013052

New Free Standing Building for  
**POPEYE'S**  
 US Highway 29 & Nease Drive  
 Athens, Georgia

Date: 07.25.17  
 Scale: AS NOTED  
 Project Mgr: DG  
 Drawn:  
 Job: 17-083  
 Sheet

**M2**