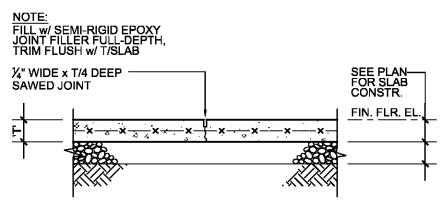
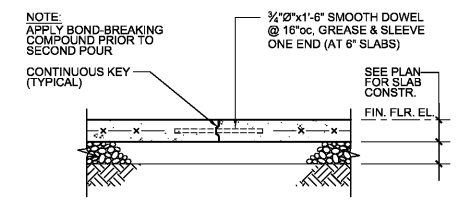


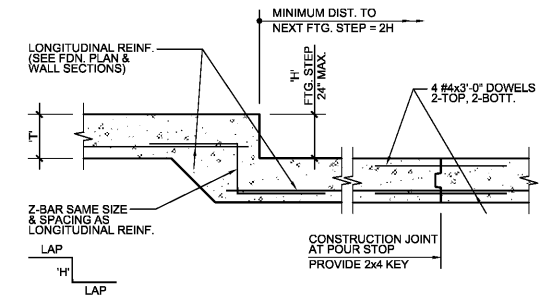
REVISIONS	BY
1/22/18	



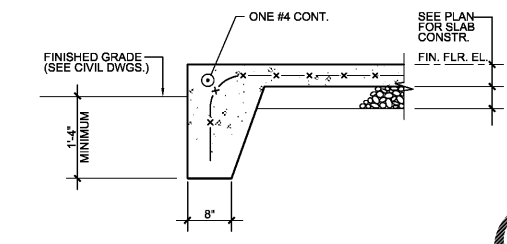
1 SAWCUT CONTRACTION JOINT
S4 N.T.S.



2 KEYED CONSTRUCTION JOINT
S4 N.T.S.

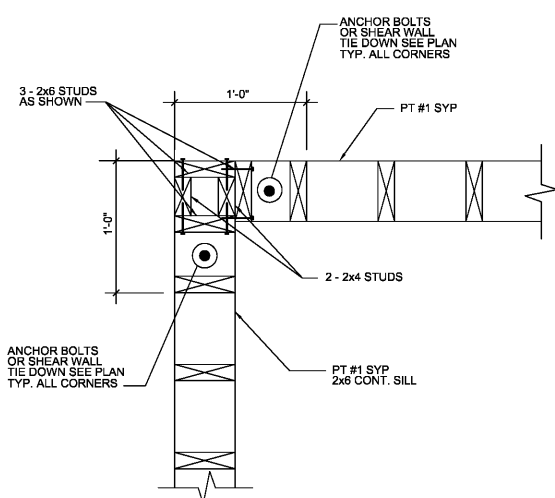


3 SECTION - FOOTING STEP & CONSTRUCTION JOINT
S4 N.T.S. IF NEEDED

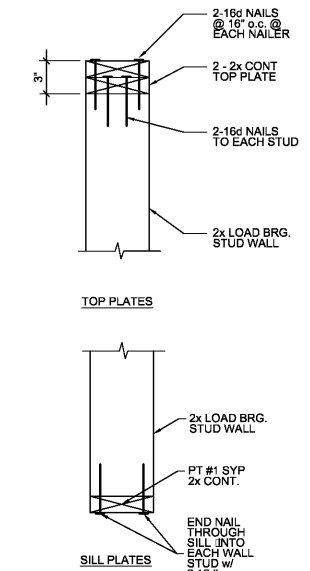


4 SECTION AT TURNED DOWN SLAB
S4 3/4\"/>

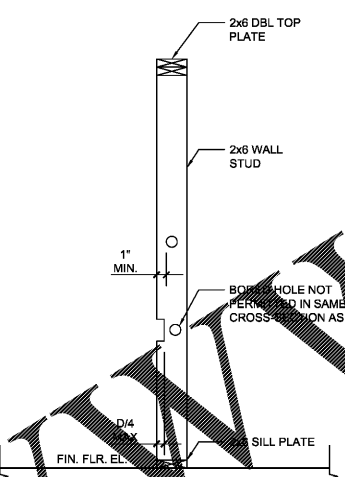
COORD. W/ARCH/ & CIVIL FOR QUANTITY AND LOCATION REQUIRED



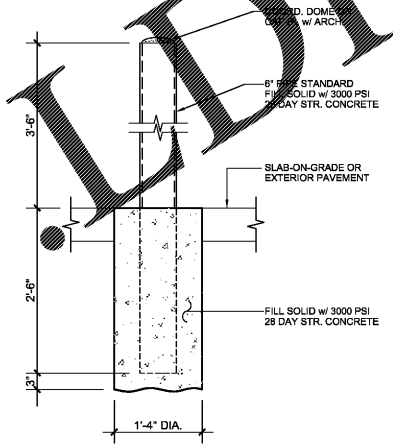
5 TYPICAL PLAN AT STUD WALL OUTSIDE CORNERS
S4 N.T.S.



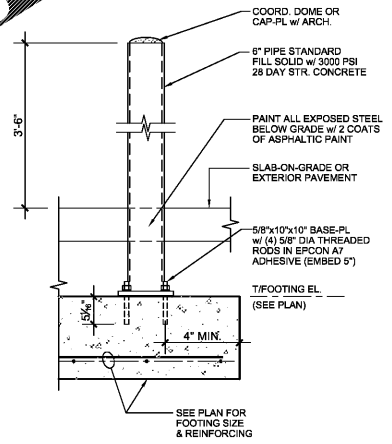
6 TYPICAL STUD WALL PLATE ATTACHMENT
S4 N.T.S.



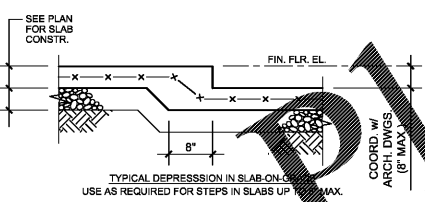
7 INSTRUCTION ON NOTCHES AND HOLES IN STUDS
S4 3/4\"/>



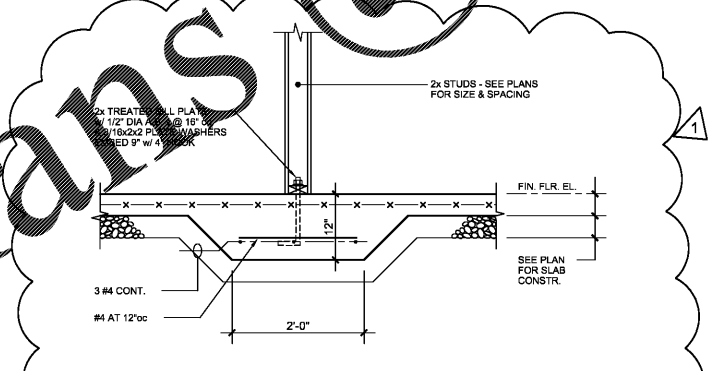
8 TYPICAL PIPE BOLLARD DETAILS
S4 N.T.S.



BOLLARD AT FOOTING



9 SECTION - TYP. DEPRESSED SLAB
S4 N.T.S.



10 SECTION - THICKENED SLAB UNDER LOAD BEARING STUD WALL
S4 3/4\"/>

Order Plans @

www.arp-engineering.com

All items, designs, drawings, etc. are the property of ARP Engineering Inc. All rights reserved. No part of this document may be reproduced or copied without the written permission of ARP Engineering Inc. Copyright © 2017, ARP Engineering Inc.



ARP ENGINEERING CONSULTING ENGINEERS
PO BOX 367, MONROE, NC 28111
(704) 223-3079

New Free Standing Building for
POPEYE'S
US Highway 29 & Nease Drive
Athens, Georgia

Date: 11. 29. 17
Scale: AS NOTED
Project Mgr: DS
Drawn: CAD
DA Job: 17-083
AEI Job: 17112
Sheet
S4