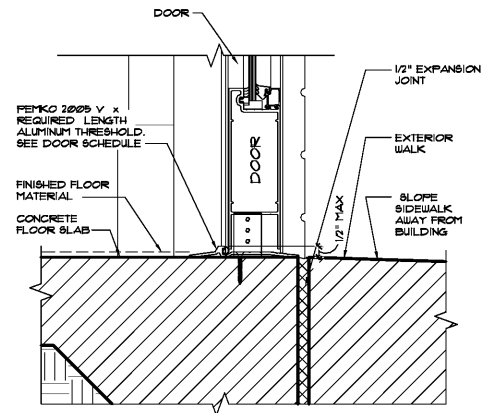
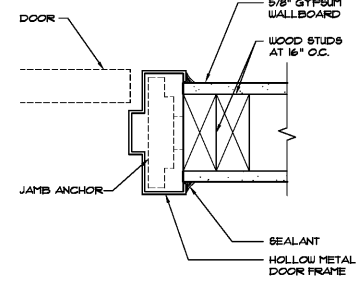


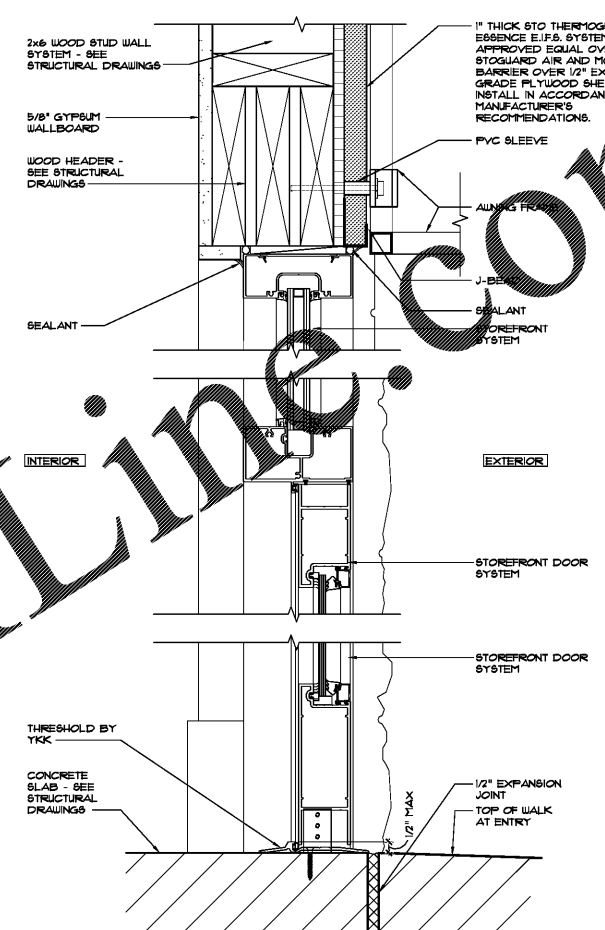
12 SILL PAN DETAIL
SCALE: 3" = 1'-0"



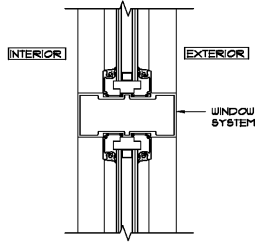
5 EXTERIOR DOOR DETAIL
SCALE: 3" = 1'-0"



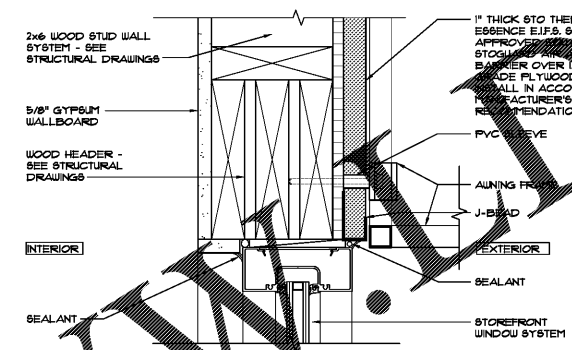
4 INTERIOR - WOOD DOOR HEAD / JAMB DETAIL
SCALE: 3" = 1'-0"



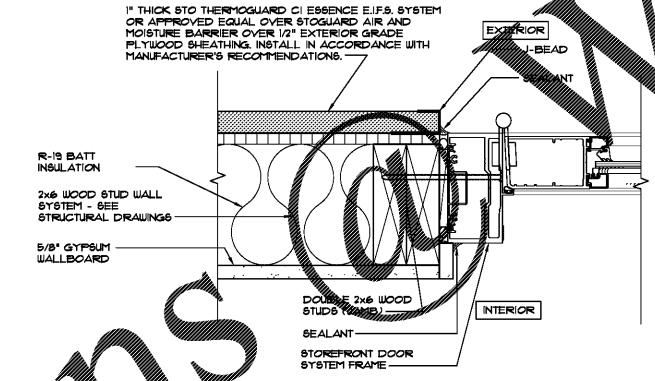
1 EXTERIOR - STOREFRONT DOOR HEAD, TRANSOM & THRESHOLD DETAIL
SCALE: 3" = 1'-0"



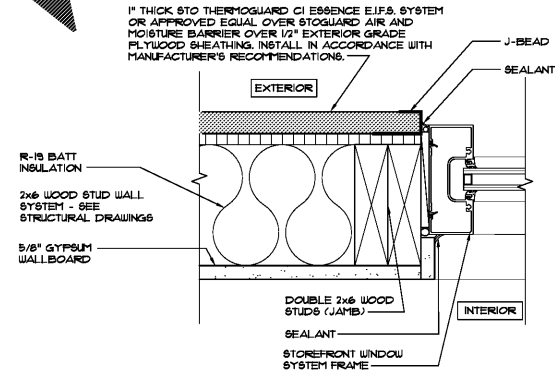
9 WINDOW MULLION DETAIL
SCALE: 3" = 1'-0"



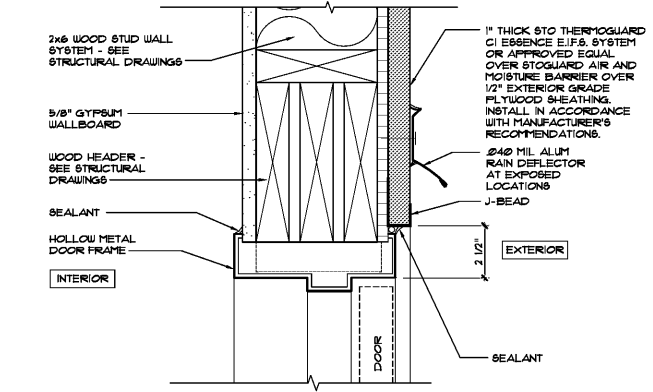
8 EXTERIOR - STOREFRONT WINDOW HEAD DETAIL
SCALE: 3" = 1'-0"



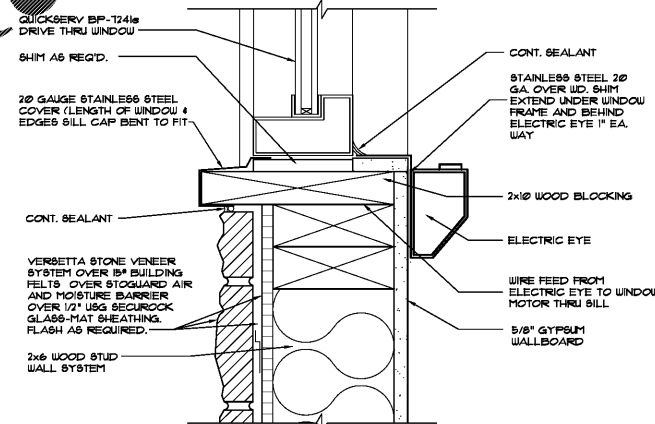
12 EXTERIOR STOREFRONT DOOR JAMB DETAIL
SCALE: 3" = 1'-0"



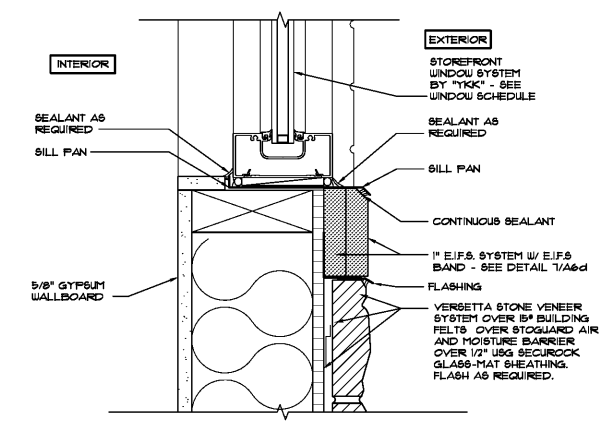
6 EXTERIOR - STOREFRONT WINDOW JAMB DETAIL
SCALE: 3" = 1'-0"



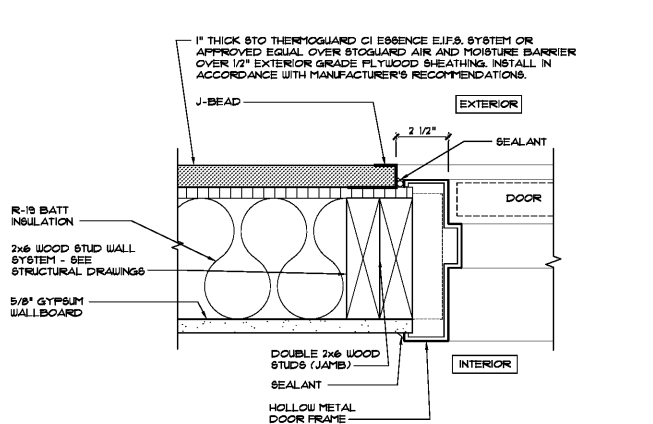
2 EXTERIOR - HOLLOW METAL DOOR HEAD DETAIL
SCALE: 3" = 1'-0"



11 STOREFRONT WINDOW SYSTEM SILL DETAIL
SCALE: 3" = 1'-0"



7 STOREFRONT WINDOW SYSTEM SILL DETAIL
SCALE: 3" = 1'-0"



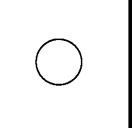
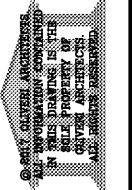
3 EXTERIOR - HOLLOW METAL DOOR JAMB DETAIL
SCALE: 3" = 1'-0"

Order Plans @ www.dlinc.com

REVISIONS	BY

OLIVERI ARCHITECTS

Member of the American Institute of Architects
32707 US Hwy 19 • Palm Harbor, FL 34684
Phone 727 781 7525 • Fax 727 781 6923
www.oliveriarchitects.com



Joseph L. Oliveri, AIA
State of Georgia
License No. 00552

New Free Standing Building for
POPEYE'S
US Highway 29 & Nease Drive
Athens, Georgia

Date: 11. 07. 17
Scale: AS NOTED
Project Mgr: DG
Drawn: GNII
Job: 17-083
Sheet

A7b