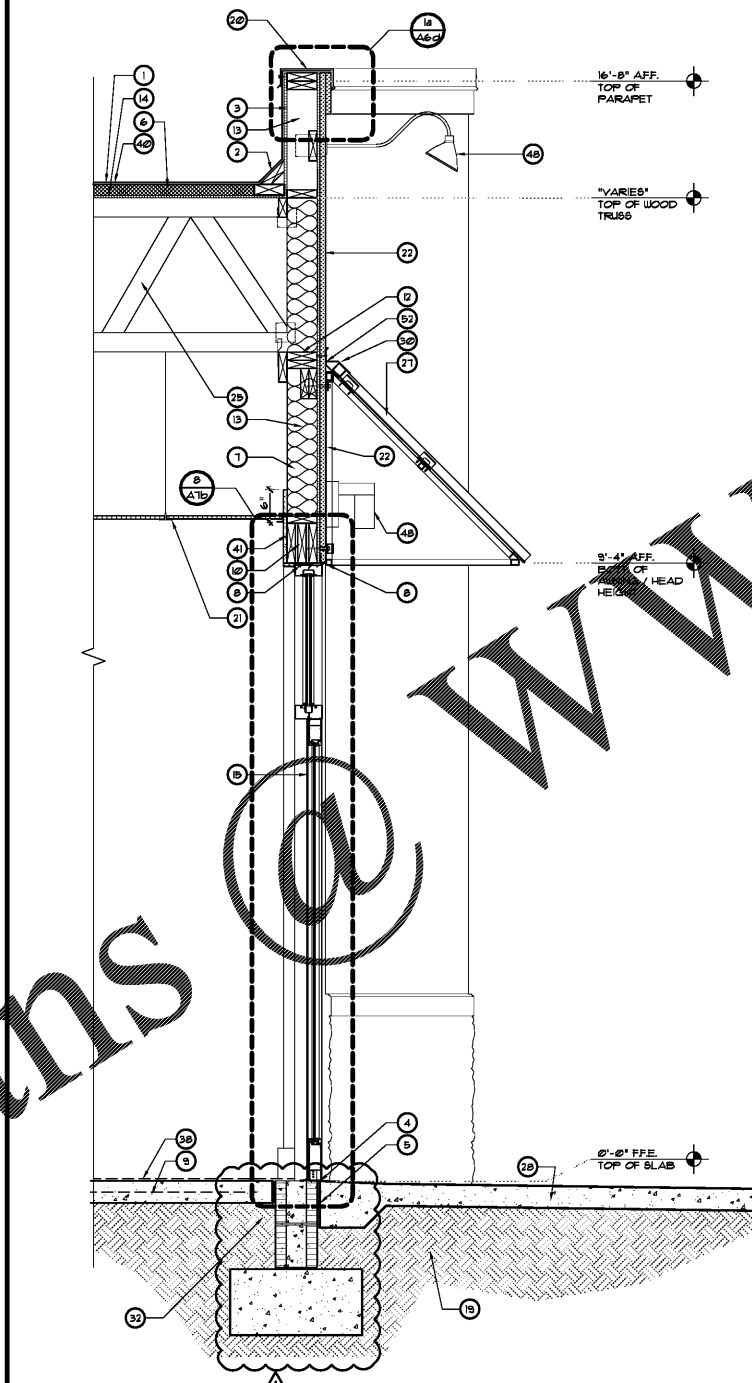
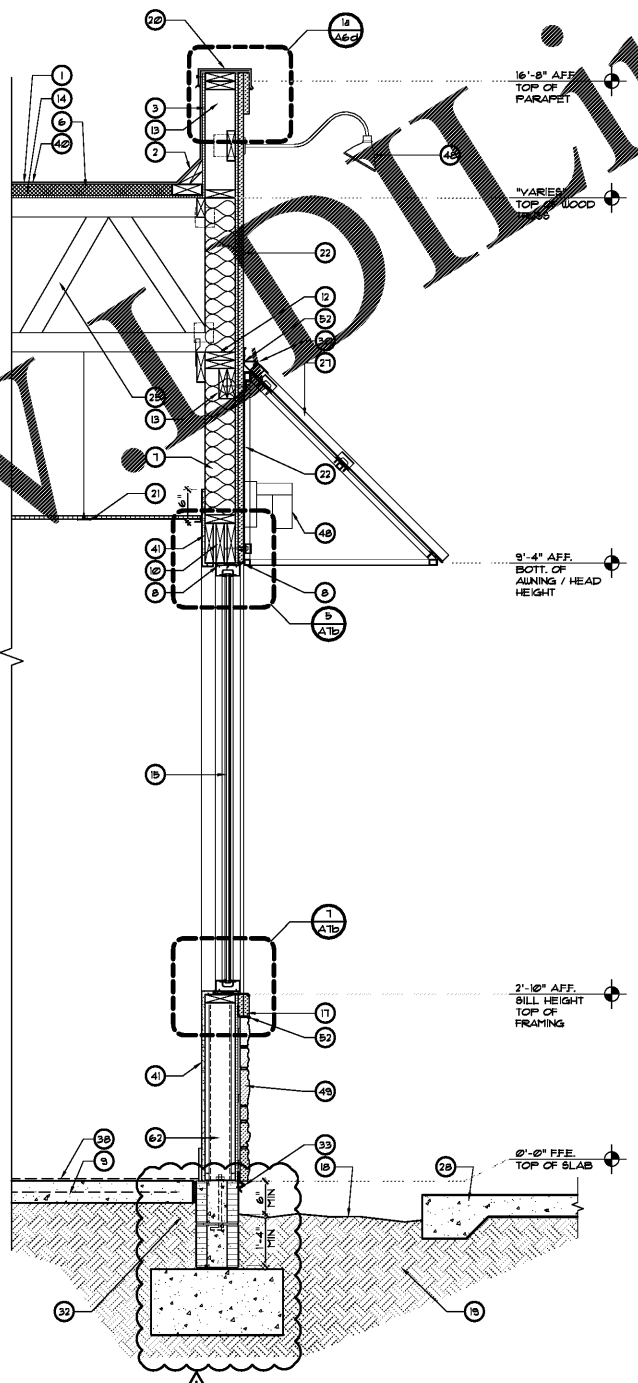


Order Plans



1 WALL SECTION
SCALE: 3/4" = 1'-0"



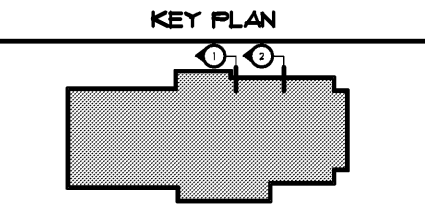
2 WALL SECTION
SCALE: 3/4" = 1'-0"

KEY NOTES

1. ALL WOOD BLOCKING AND WOOD FRAMING IN TOUCH WITH CONCRETE OR CMU WALL TO BE PRESSURE TREATED WOOD. COORDINATE APPROPRIATE FASTENERS.

- KEY NOTES**
- STEEL TUBE POST W/ BASE PLATE LOCATED UNDER WINDOW - PROVIDE BATT INSULATION (NOT SHOWN FOR CLARITY) BETWEEN POSTS - SEE STRUCTURAL DRAWINGS
 - CONTINUOUS 4" CANT STRIP.
 - SINGLE PLY TPO ROOFING MEMBRANE TO RUN OVER 4" CANT STRIP, UP AND OVER PARAPET WALL UNDER COPING.
 - PENKO 2005 V x REQUIRED LENGTH ALUMINUM THRESHOLD - SEE DOOR SCHEDULE.
 - 1/2" ISOLATION JOINT.
 - 3 1/2" MINIMUM ISOBOARD INSULATION.
 - R-18 FIBERGLASS BATT INSULATION.
 - CONTINUOUS SEALANT AS NOTED.
 - REINFORCED CONCRETE SLABS ON GRADE - SEE STRUCTURAL DRAWINGS.
 - WD. HEADER - SEE STRUCTURAL DRAWINGS.
 - MANIFOLD DOWNSPOUT CONNECTIONS TO STORMWATER SYSTEM - SEE STRUCTURAL DRAWINGS.
 - 1/8" WD. LOCKING - SEE STRUCTURAL DRAWINGS.
 - 1" WALL FRAMING - SEE STRUCTURAL DRAWINGS.
 - CDX EXTERIOR GRADE PLYWOOD SHEATHING.
 - ALL INTERIOR FRONT DOOR / WINDOW SYSTEM - SEE FLOOR PLAN AND DOOR SCHEDULE.
 - 1" SILL PLATE / ANCHOR BOLT - SEE STRUCTURAL DRAWINGS
 - EIFS BANDING - SEE DETAIL 1/A6d
 - APPROXIMATE GRADE.
 - CLEAN, COMPACTED, TERMITE TREATED FILL - SEE STRUCTURAL DRAWINGS.
 - ALUM. PARAPET COPING
 - LAY-IN ACOUSTICAL CEILING SYSTEM - SEE REFLECTED CEILING PLAN FOR GRID LAYOUTS AND CEILING HEIGHTS.
 - 1" THICK STO THERMOGUARD CI ESSENCE EIFS SYSTEM OR APPROVED EQUAL OVER STOGUARD AIR AND MOISTURE BARRIER OVER 1/2" EXTERIOR GRADE PLYWOOD SHEATHING. INSTALL IN ACCORDANCE WITH MANUFACTURER'S RECOMMENDATIONS.
 - CONCRETE DRIVE - SEE CIVIL DRAWINGS AND ARCHITECTURAL SITE PLAN.
 - GUTTER AND DOWNSPOUT SYSTEM - SEE EXTERIOR ELEVATIONS
 - PRE-ENGINEERED WOOD TRUSS - SEE STRUCTURAL DRAWINGS.
 - BUILDING SIGNAGE BY SIGN VENDOR - COORDINATE STRUCTURAL & ELECTRICAL W/ MANUFACTURER
 - PREFABRICATED STANDING SEAM METAL AWNING SYSTEM BY AWNING VENDOR - SEE DETAILS 3 & 4 W/A6d
 - CONCRETE SIDEWALK - SEE ARCHITECTURAL SITE PLAN.
 - DRIVE-THRU WINDOW SYSTEM - SEE FLOOR PLAN AND WINDOW SCHEDULE. SLOPE SILL AWAY FROM BUILDING.
 - PROVIDE FLASHING AT CANOPY / AWNING CONNECTION - COORDINATE WITH VENDOR.
 - PREFABRICATED PVC WINDOW SHUTTERS FASTENED TO WALL
 - 4" THICK CONC. SLAB WITH STEM WALL FOOTING - SEE STRUCTURAL DRAWINGS.
 - CONTINUOUS VINYL WEEP SCREED WITH DEFLECTOR
 - CONTINUOUS ALUMINUM FLASHING.
 - RAISED EIFS BAND - SEE DETAIL 6/A6d
 - PARAPET BEYOND, SEE ELEVATIONS FOR HEIGHT
 - PREFABRICATED BALCONY AT DRIVE THRU WINDOW - SEE EXTERIOR ELEVATIONS.
 - FINISH FLOOR MATERIAL.
 - HOLLOW METAL DOOR AND FRAME - SEE DOOR SCHEDULE.
 - SLOPE 1/4" PER FOOT
 - 5/8" GYPSUM WALL BOARD OR OTHER SUBSTRATE - SEE WALL TYPE SCHEDULE
 - PROVIDE 4"x12" SCUPPER - SEE PLAN FOR LOCATION
 - 2x2x1/8" ANGLE AT TOP AND AT EACH END OF ENCLOSURE
 - CONCRETE CURB - SEE SITE PLAN AND CIVIL DRAWINGS.
 - J-BEAD AND SEALANT • EIFS / WALL PENETRATIONS
 - GWB. CEILING - SEE CEILING PLAN
 - RAIN DEFLECTOR
 - LIGHT FIXTURE - SEE ELECTRICAL DRAWINGS
 - VERBETTA CULTURED STONE VENEER OVER 1/4" BUILDING FELTS OVER STOGUARD AIR AND MOISTURE BARRIER OVER 1/2" EXTERIOR GRADE PLYWOOD SHEATHING. FLASH AS REQUIRED.
 - GREASE TANK AND CO2 ENCLOSURE W/ SLOPED ROOF BY VENDOR
 - WALK-IN-BOX - SEE FLOOR PLAN
 - CONT. SEALANT AND FLASH AS REQUIRED AT WALL CONNECTION THROUGHOUT STONE VENEER.
 - TOP RAIL TO REMAIN LEVEL
 - PROVIDE J-BOX FOR DEDICATED CIRCUIT FOR POWER FEED TO WINDOW.
 - ADJUST BOTTOM RAIL TO COMPENSATE FOR SLOPE
 - SUPPORT ROD - ATTACH TO BUILDING STRUCTURE AS REQUIRED.
 - 1/2"x1/2" REVEAL JOINT CONTINUOUS AROUND BUILDING BY EIFS MANUFACTURER
 - EIFS BAND - SEE DETAIL 3/A6d
 - CONTINUOUS RUBBER MEMBRANE FLASHING, MECHANICALLY FASTEN TO STUDS USING 1/2" TERMINATION BAR WITH PAN HEAD SCREWS. CLEAN AND FRAME SLAB AND FLASHING TO ENSURE FULL ADHESION OF MEMBRANE WITH EIFS MANUFACTURER'S AIR AND MOISTURE BARRIER SYSTEM PER MANUFACTURER'S DETAILS
 - 8" CMU - PAINTED WALL - MATCH ADJACENT WALL COLOR
 - 2x10 CONTINUOUS WD. RIBBON - SEE STRUCTURAL DRAWINGS

- KEY NOTES**
- SINGLE PLY TPO ROOFING MEMBRANE OVER 3 1/4" MINIMUM ISOBOARD INSULATION OVER 3/4" CDX EXTERIOR GRADE PLYWOOD SHEATHING.
 - CONTINUOUS 4" CANT STRIP.
 - SINGLE PLY TPO ROOFING MEMBRANE TO RUN OVER 4" CANT STRIP, UP AND OVER PARAPET WALL UNDER COPING.
 - PENKO 2005 V x REQUIRED LENGTH ALUMINUM THRESHOLD - SEE DOOR SCHEDULE.
 - 1/2" ISOLATION JOINT.
 - 3 1/2" MINIMUM ISOBOARD INSULATION.
 - R-18 FIBERGLASS BATT INSULATION.
 - CONTINUOUS SEALANT AS NOTED.
 - REINFORCED CONCRETE SLABS ON GRADE - SEE STRUCTURAL DRAWINGS.
 - WD. HEADER - SEE STRUCTURAL DRAWINGS.
 - MANIFOLD DOWNSPOUT CONNECTIONS TO STORMWATER SYSTEM - SEE STRUCTURAL DRAWINGS.
 - 1/8" WD. LOCKING - SEE STRUCTURAL DRAWINGS.
 - 1" WALL FRAMING - SEE STRUCTURAL DRAWINGS.
 - CDX EXTERIOR GRADE PLYWOOD SHEATHING.
 - ALL INTERIOR FRONT DOOR / WINDOW SYSTEM - SEE FLOOR PLAN AND DOOR SCHEDULE.
 - 1" SILL PLATE / ANCHOR BOLT - SEE STRUCTURAL DRAWINGS
 - EIFS BANDING - SEE DETAIL 1/A6d
 - APPROXIMATE GRADE.
 - CLEAN, COMPACTED, TERMITE TREATED FILL - SEE STRUCTURAL DRAWINGS.
 - ALUM. PARAPET COPING
 - LAY-IN ACOUSTICAL CEILING SYSTEM - SEE REFLECTED CEILING PLAN FOR GRID LAYOUTS AND CEILING HEIGHTS.
 - 1" THICK STO THERMOGUARD CI ESSENCE EIFS SYSTEM OR APPROVED EQUAL OVER STOGUARD AIR AND MOISTURE BARRIER OVER 1/2" EXTERIOR GRADE PLYWOOD SHEATHING. INSTALL IN ACCORDANCE WITH MANUFACTURER'S RECOMMENDATIONS.
 - CONCRETE DRIVE - SEE CIVIL DRAWINGS AND ARCHITECTURAL SITE PLAN.
 - GUTTER AND DOWNSPOUT SYSTEM - SEE EXTERIOR ELEVATIONS
 - PRE-ENGINEERED WOOD TRUSS - SEE STRUCTURAL DRAWINGS.
 - BUILDING SIGNAGE BY SIGN VENDOR - COORDINATE STRUCTURAL & ELECTRICAL W/ MANUFACTURER
 - PREFABRICATED STANDING SEAM METAL AWNING SYSTEM BY AWNING VENDOR - SEE DETAILS 3 & 4 W/A6d
 - CONCRETE SIDEWALK - SEE ARCHITECTURAL SITE PLAN.
 - DRIVE-THRU WINDOW SYSTEM - SEE FLOOR PLAN AND WINDOW SCHEDULE. SLOPE SILL AWAY FROM BUILDING.
 - PROVIDE FLASHING AT CANOPY / AWNING CONNECTION - COORDINATE WITH VENDOR.
 - PREFABRICATED PVC WINDOW SHUTTERS FASTENED TO WALL
 - 4" THICK CONC. SLAB WITH STEM WALL FOOTING - SEE STRUCTURAL DRAWINGS.
 - CONTINUOUS VINYL WEEP SCREED WITH DEFLECTOR
 - CONTINUOUS ALUMINUM FLASHING.
 - RAISED EIFS BAND - SEE DETAIL 6/A6d
 - PARAPET BEYOND, SEE ELEVATIONS FOR HEIGHT
 - PREFABRICATED BALCONY AT DRIVE THRU WINDOW - SEE EXTERIOR ELEVATIONS.
 - FINISH FLOOR MATERIAL.
 - HOLLOW METAL DOOR AND FRAME - SEE DOOR SCHEDULE.
 - SLOPE 1/4" PER FOOT
 - 5/8" GYPSUM WALL BOARD OR OTHER SUBSTRATE - SEE WALL TYPE SCHEDULE
 - PROVIDE 4"x12" SCUPPER - SEE PLAN FOR LOCATION
 - 2x2x1/8" ANGLE AT TOP AND AT EACH END OF ENCLOSURE
 - CONCRETE CURB - SEE SITE PLAN AND CIVIL DRAWINGS.
 - J-BEAD AND SEALANT • EIFS / WALL PENETRATIONS
 - GWB. CEILING - SEE CEILING PLAN
 - RAIN DEFLECTOR
 - LIGHT FIXTURE - SEE ELECTRICAL DRAWINGS
 - VERBETTA CULTURED STONE VENEER OVER 1/4" BUILDING FELTS OVER STOGUARD AIR AND MOISTURE BARRIER OVER 1/2" EXTERIOR GRADE PLYWOOD SHEATHING. FLASH AS REQUIRED.
 - GREASE TANK AND CO2 ENCLOSURE W/ SLOPED ROOF BY VENDOR
 - WALK-IN-BOX - SEE FLOOR PLAN
 - CONT. SEALANT AND FLASH AS REQUIRED AT WALL CONNECTION THROUGHOUT STONE VENEER.
 - TOP RAIL TO REMAIN LEVEL
 - PROVIDE J-BOX FOR DEDICATED CIRCUIT FOR POWER FEED TO WINDOW.
 - ADJUST BOTTOM RAIL TO COMPENSATE FOR SLOPE
 - SUPPORT ROD - ATTACH TO BUILDING STRUCTURE AS REQUIRED.
 - 1/2"x1/2" REVEAL JOINT CONTINUOUS AROUND BUILDING BY EIFS MANUFACTURER
 - EIFS BAND - SEE DETAIL 3/A6d
 - CONTINUOUS RUBBER MEMBRANE FLASHING, MECHANICALLY FASTEN TO STUDS USING 1/2" TERMINATION BAR WITH PAN HEAD SCREWS. CLEAN AND FRAME SLAB AND FLASHING TO ENSURE FULL ADHESION OF MEMBRANE WITH EIFS MANUFACTURER'S AIR AND MOISTURE BARRIER SYSTEM PER MANUFACTURER'S DETAILS
 - 8" CMU - PAINTED WALL - MATCH ADJACENT WALL COLOR
 - 2x10 CONTINUOUS WD. RIBBON - SEE STRUCTURAL DRAWINGS



REVISIONS	BY
01, 21, 18	GNIII

Member of the American Institute of Architects
32707 US Hwy 19 • Palm Harbor, FL 34884
Phone 727 781 7525 • Fax 727 781 6923
www.oliveriarchitects.com

OLIVERI ARCHITECTS

Member of the American Institute of Architects
32707 US Hwy 19 • Palm Harbor, FL 34884
Phone 727 781 7525 • Fax 727 781 6923
www.oliveriarchitects.com

© 2017 OLIVERI ARCHITECTS. ALL RIGHTS RESERVED. THIS DRAWING IS THE PROPERTY OF OLIVERI ARCHITECTS. NO PART OF THIS DRAWING IS TO BE REPRODUCED OR TRANSMITTED IN ANY FORM OR BY ANY MEANS, ELECTRONIC OR MECHANICAL, WITHOUT THE WRITTEN PERMISSION OF OLIVERI ARCHITECTS.

Joseph L. Oliveri, AIA
State of Georgia
License #6401552

New Free Standing Building for
POPEYE'S
US Highway 29 & Nease Drive
Athens, Georgia

Date: 11. 07. 17
Scale: AS NOTED
Project Mgr: DG
Drawn: GNIII
Job: 17-083
Sheet
A6c