

KEY NOTES

22 STEEL TUBE POST W/ BASE PLATE LOCATED UNDER WINDOW - PROVIDE BATT INSULATION (NOT SHOWN FOR CLARITY) BETWEEN POSTS - SEE STRUCTURAL DRAWINGS

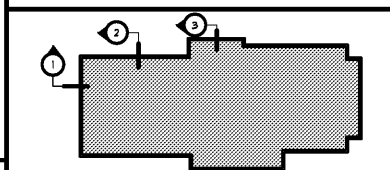
KEY NOTES

1. ALL WOOD BLOCKING AND WOOD FRAMING IN TOUCH WITH CONCRETE OR CMU WALL TO BE PRESURE TREATED WOOD. COORDINATE APPROPRIATE FASTENERS.

KEY NOTES

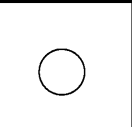
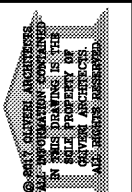
- 1 SINGLE FLY TPO ROOFING MEMBRANE OVER 3 1/4" MINIMUM ISOBOARD INSULATION OVER 3/4" CDX EXTERIOR GRADE PLYWOOD SHEATHING.
- 2 CONTINUOUS 4" CANT STRIP.
- 3 SINGLE FLY TPO ROOFING MEMBRANE TO RUN OVER 4" CANT STRIP, UP AND OVER PARAPET WALL UNDER COPING.
- 4 PENKO 2005 V x REQUIRED LENGTH ALUMINUM THRESHOLD - SEE DOOR SCHEDULE.
- 5 1/2" ISOLATION JOINT.
- 6 3 1/2" MINIMUM ISOBOARD INSULATION.
- 7 R-18 FIBERGLASS BATT INSULATION.
- 8 CONTINUOUS BEALANT AS SHOWN.
- 9 REINFORCED CONCRETE SLAB ON GRADE - SEE STRUCTURAL DRAWINGS.
- 10 WD. HEADER - SEE STRUCTURAL DRAWINGS.
- 11 MANIFOLD DOWNSPOUT CONNECTIONS TO STORMWATER SYSTEM - SEE STRUCTURAL DRAWINGS.
- 12 #8 WD. BLOCKING - SEE STRUCTURAL DRAWINGS.
- 13 #4 WALL FRAMING - SEE STRUCTURAL DRAWINGS.
- 14 CDX EXTERIOR GRADE PLYWOOD SHEATHING.
- 15 ALL INTERIOR FRONT DOOR / WINDOW SYSTEM - SEE FLOOR PLAN AND DOOR SCHEDULE.
- 16 #4 SILL PLATE / ANCHOR BOLT - SEE STRUCTURAL DRAWINGS.
- 17 EIFS BANDING - SEE DETAIL 1/A&d.
- 18 APPROXIMATE GRADE.
- 19 CLEAN, COMPACTED, TERMITE TREATED FILL - SEE STRUCTURAL DRAWINGS.
- 20 ALUM. PARAPET COPING.
- 21 LAY-IN ACOUSTICAL CEILING SYSTEM - SEE REFLECTED CEILING PLAN FOR GRID LAYOUTS AND CEILING HEIGHTS.
- 22 1" THICK STO THERMOGUARD CI ESSENCE EIFS SYSTEM OR APPROVED EQUAL OVER STOGUARD AIR AND MOISTURE BARRIER OVER 1/2" EXTERIOR GRADE PLYWOOD SHEATHING. INSTALL IN ACCORDANCE WITH MANUFACTURER'S RECOMMENDATIONS.
- 23 CONCRETE DRIVE - SEE CIVIL DRAWINGS AND ARCHITECTURAL SITE PLAN.
- 24 GUTTER AND DOWNSPOUT SYSTEM - SEE EXTERIOR ELEVATIONS.
- 25 PRE-ENGINEERED WOOD TRUSS - SEE STRUCTURAL DRAWINGS.
- 26 BUILDING SIGNAGE BY SIGN VENDOR - COORDINATE STRUCTURAL & ELECTRICAL W/ MANUFACTURER.
- 27 PREFABRICATED STANDING SEAM METAL AWNING SYSTEM BY AWNING VENDOR - SEE DETAILS 3 & 4 W/A&d.
- 28 CONCRETE SIDEWALK - SEE ARCHITECTURAL SITE PLAN.
- 29 DRIVE-THRU WINDOW SYSTEM - SEE FLOOR PLAN AND WINDOW SCHEDULE. SLOPE SILL AWAY FROM BUILDING.
- 30 PROVIDE FLASHING AT CANOPY / AWNING CONNECTION - COORDINATE WITH VENDOR.
- 31 PREFABRICATED PVC WINDOW SHUTTERS FASTENED TO WALL.
- 32 4" THICK CONC. SLAB WITH 6EM WALL FOOTING - SEE STRUCTURAL DRAWINGS.
- 33 CONTINUOUS VINYL KEEL SCREED WITH DEFLECTOR.
- 34 CONTINUOUS ALUMINUM FLASHING.
- 35 RAISED EIFS BAND - SEE DETAIL 6/A&d.
- 36 PARAPET BEYOND, SEE ELEVATIONS FOR HEIGHT.
- 37 PREFABRICATED BALCONY AT DRIVE THRU WINDOW - SEE EXTERIOR ELEVATIONS.
- 38 FINISH FLOOR MATERIAL.
- 39 HOLLOW METAL DOOR AND FRAME - SEE DOOR SCHEDULE.
- 40 SLOPE 1/4" PER FOOT.
- 41 5/8" GYPSUM WALL BOARD OR OTHER SUBSTRATE - SEE WALL TYPE SCHEDULE.
- 42 PROVIDE 4"x12" SCUPPER - SEE PLAN FOR LOCATION.
- 43 2x2x1/8" ANGLE AT TOP AND AT EACH END OF ENCLOSURE.
- 44 CONCRETE CURB - SEE SITE PLAN AND CIVIL DRAWINGS.
- 45 J-BEAD AND SEALANT @ EIFS / WALL PENETRATIONS.
- 46 GWSB. CEILING - SEE CEILING PLAN.
- 47 RAIN DEFLECTOR.
- 48 LIGHT FIXTURE - SEE ELECTRICAL DRAWINGS.
- 49 VERBETTA CULTURED STONE VENEER OVER 1/4" BUILDING FELTS OVER STOGUARD AIR AND MOISTURE BARRIER OVER 1/2" EXTERIOR GRADE PLYWOOD SHEATHING. FLASH AS REQUIRED.
- 50 GREASE TANK AND CO2 ENCLOSURE W/ SLOPED ROOF BY VENDOR.
- 51 WALK-IN-BOX - SEE FLOOR PLAN.
- 52 CONT. SEALANT AND FLASH AS REQUIRED AT WALL CONNECTION THROUGHOUT STONE VENEER.
- 53 TOP RAIL TO REMAIN LEVEL.
- 54 PROVIDE J-BOX FOR DEDICATED CIRCUIT FOR POWER FEED TO WINDOW.
- 55 ADJUST BOTTOM RAIL TO COMPENSATE FOR SLOPE.
- 56 SUPPORT ROD - ATTACH TO BUILDING STRUCTURE AS REQUIRED.
- 57 1/2"x1/2" REVEAL JOINT CONTINUOUS AROUND BUILDING BY EIFS MANUFACTURER.
- 58 EIFS BAND - SEE DETAIL 3/A&d.
- 59 CONTINUOUS RUBBER MEMBRANE FLASHING MECHANICALLY FASTENED TO STUDS USING 1-1/2" TERMINATION BAR WITH PAN HEAD SCREWS. CLEAN AND FRAME SLAB AND FLASHING TO ENSURE FULL ADHESION OF MEMBRANE WITH EIFS MANUFACTURER'S AIR AND MOISTURE BARRIER SYSTEM PER MANUFACTURER'S DETAILS.
- 60 8" CMU - PAINTED WALL - MATCH ADJACENT WALL COLOR.
- 61 2x10 CONTINUOUS WD. RIBBON - SEE STRUCTURAL DRAWINGS.

KEY PLAN



REVISIONS	BY
01, 21, 18	GNIII

OLIVERI ARCHITECTS
 Member of the American Institute of Architects
 32707 US Hwy 19 • Palm Harbor, FL 34884
 Phone 727 781 7525 • Fax 727 781 6923
 www.oliveriarchitects.com

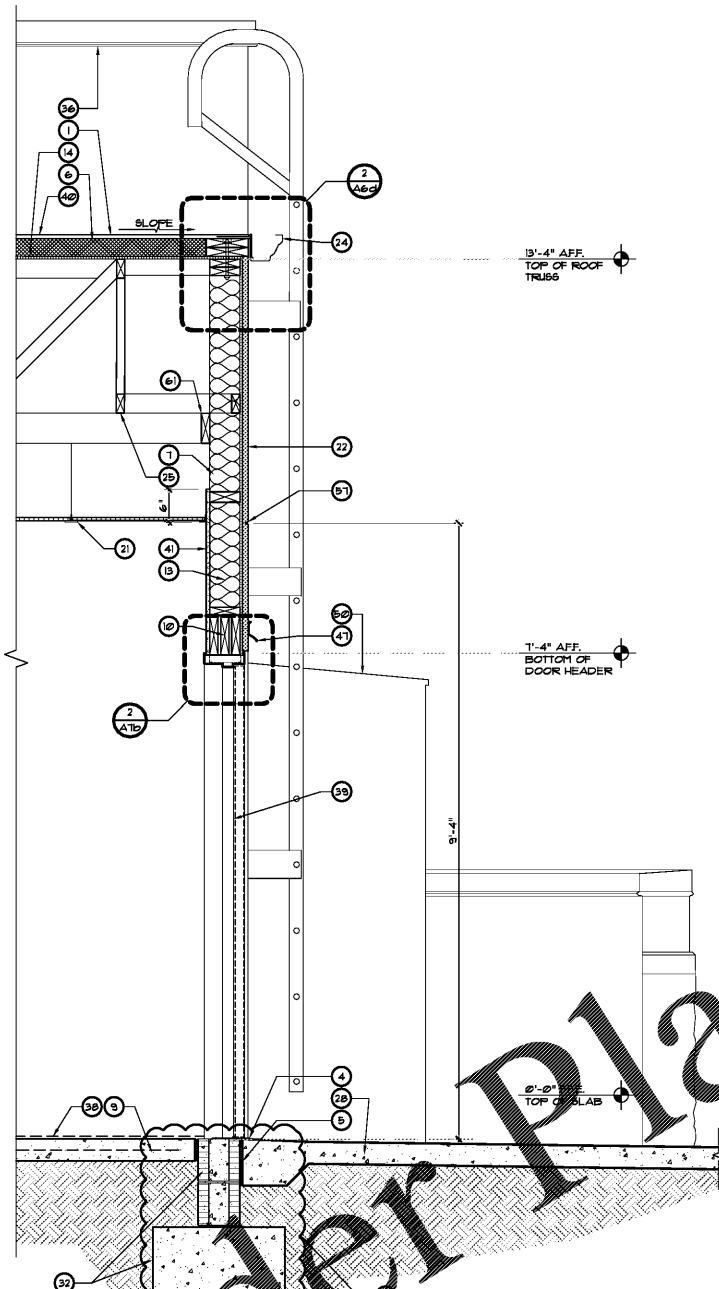


Joseph L. Oliveri, AIA
 State of Georgia
 License #6101552

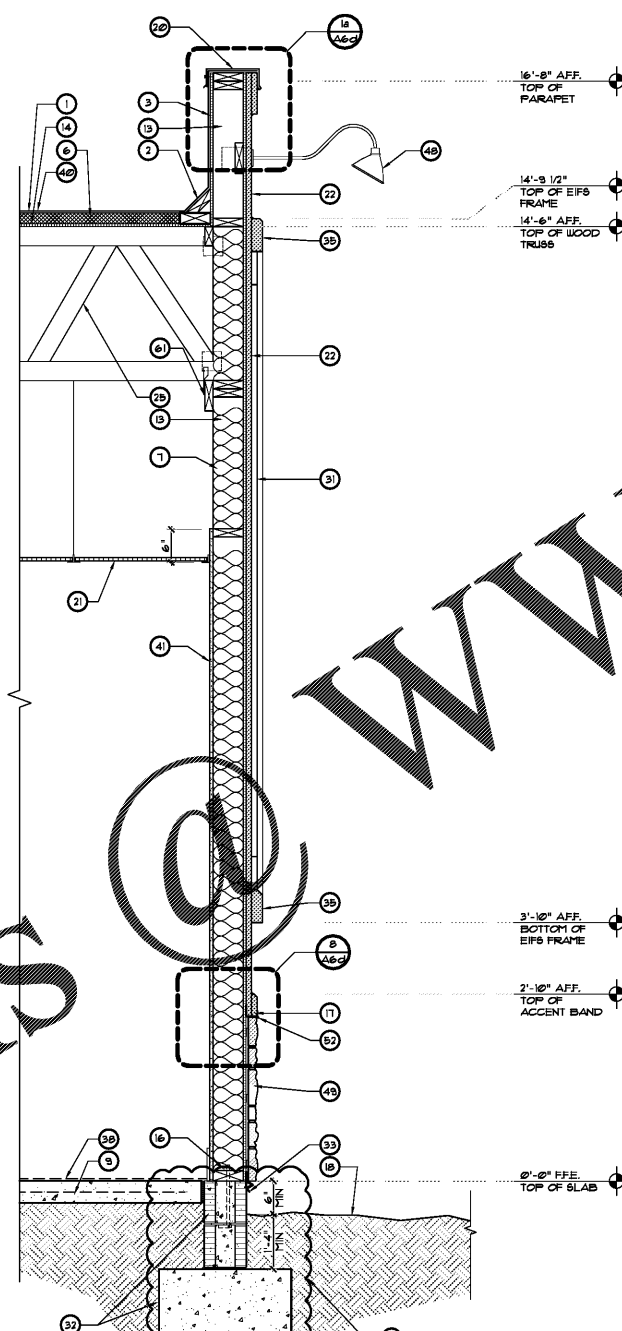
New Free Standing Building for
POPEYE'S
 US Highway 29 & Nease Drive
 Athens, Georgia

Date: 11. 07. 17
 Scale: AS NOTED
 Project Mgr: DG
 Drawn: GNIII
 Job: 17-083

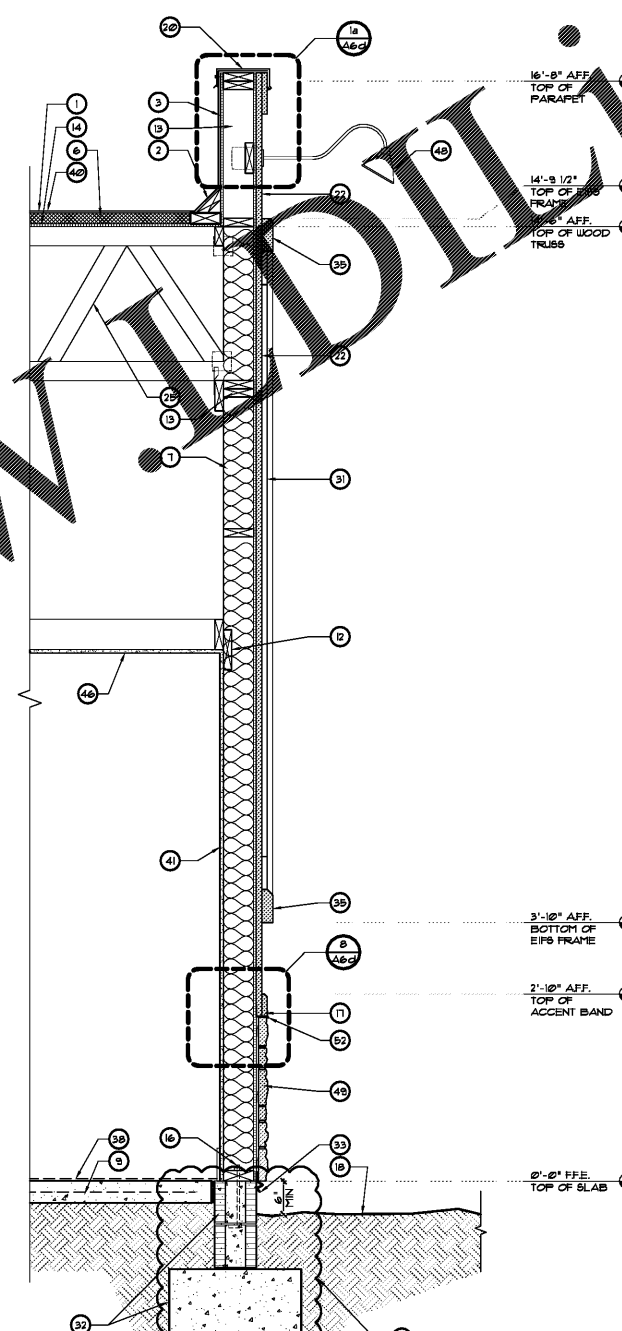
Sheet
A6b



1 WALL SECTION
 SCALE: 3/4" = 1'-0"



2 WALL SECTION
 SCALE: 3/4" = 1'-0"



3 WALL SECTION
 SCALE: 3/4" = 1'-0"