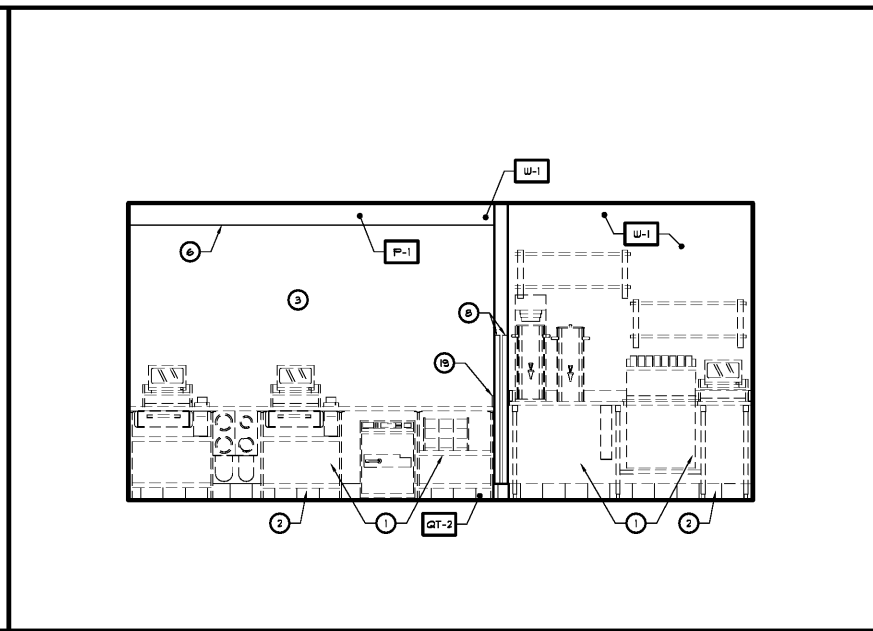
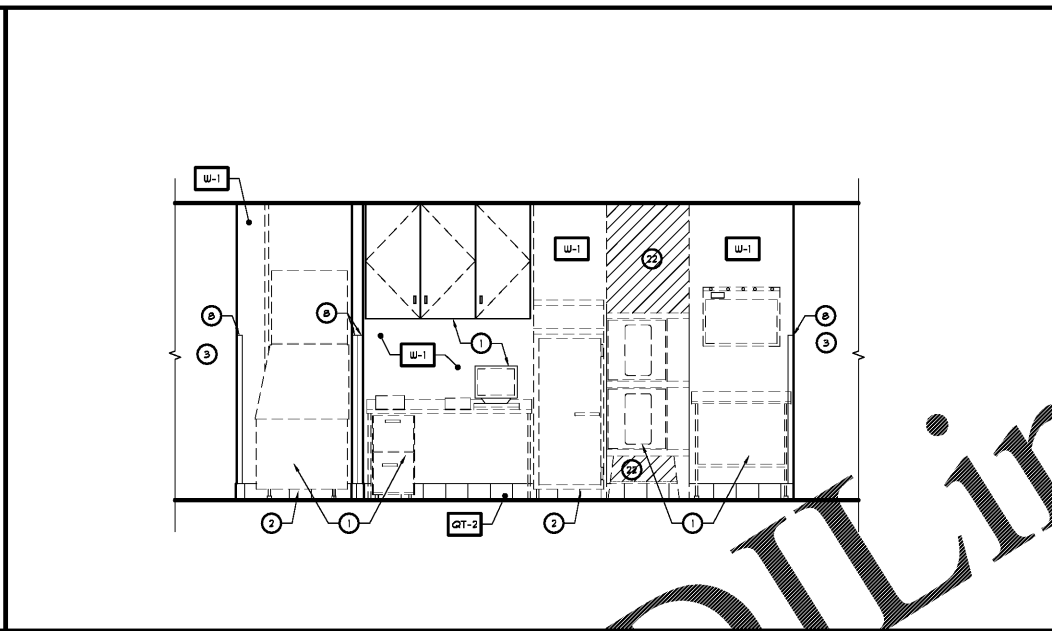


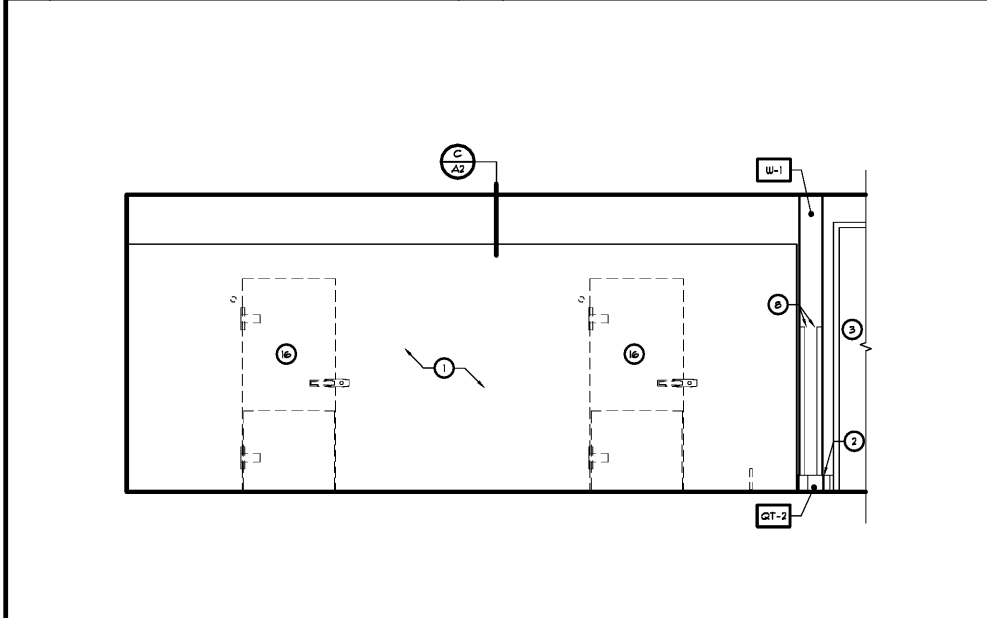
1 HALL ELEVATION  
SCALE: 3/8" = 1'-0"



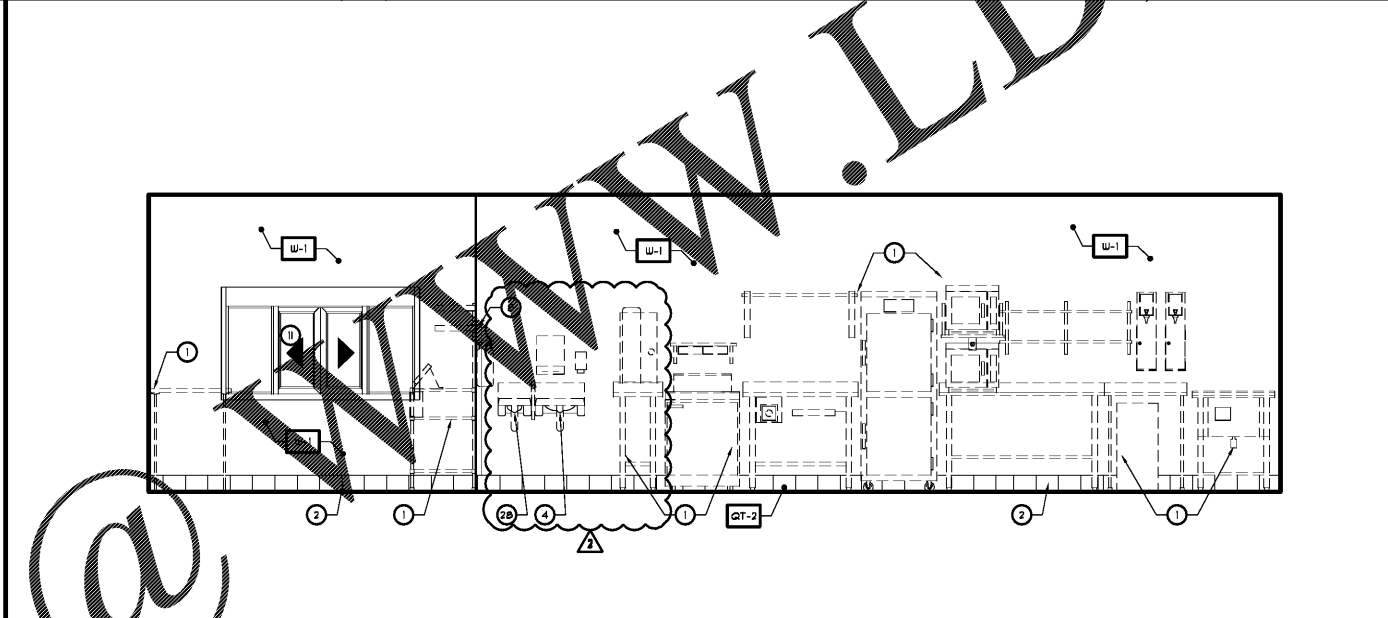
2 SERVICE AREA / KITCHEN ELEVATION  
SCALE: 3/8" = 1'-0"



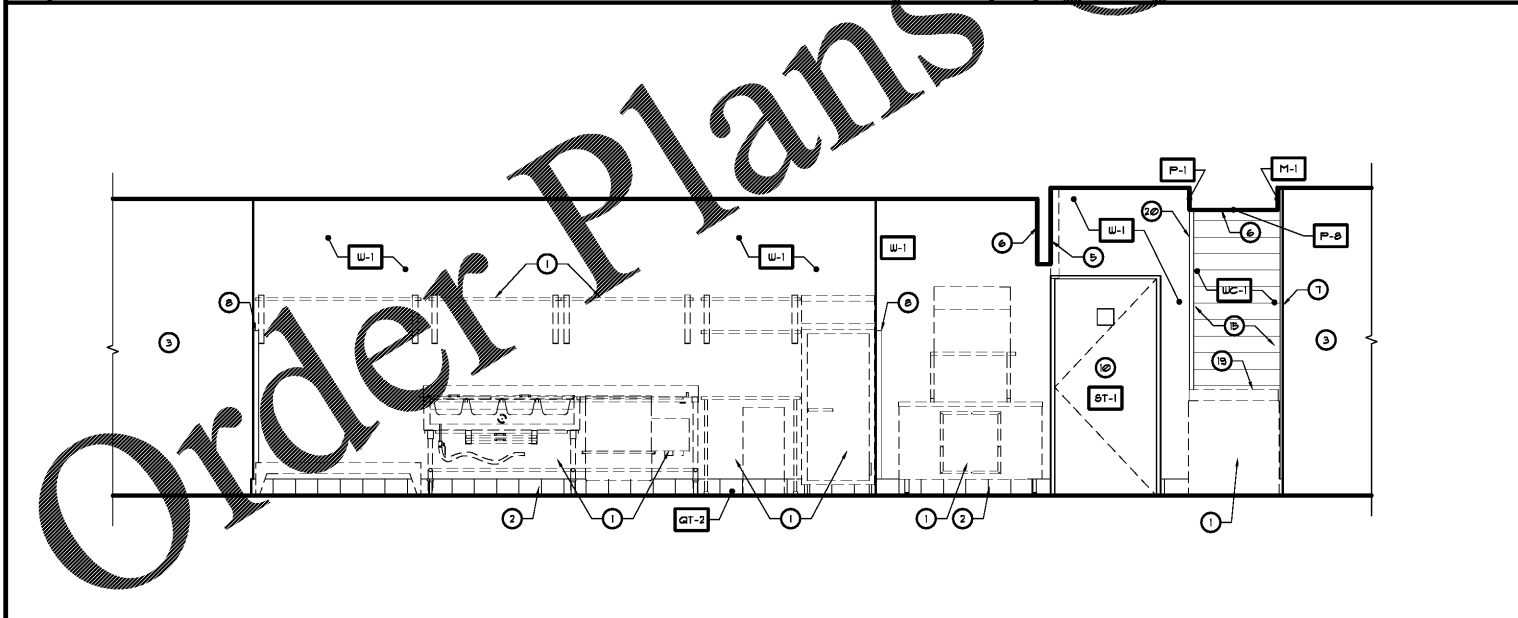
3 KITCHEN / OFFICE ELEVATION  
SCALE: 3/8" = 1'-0"



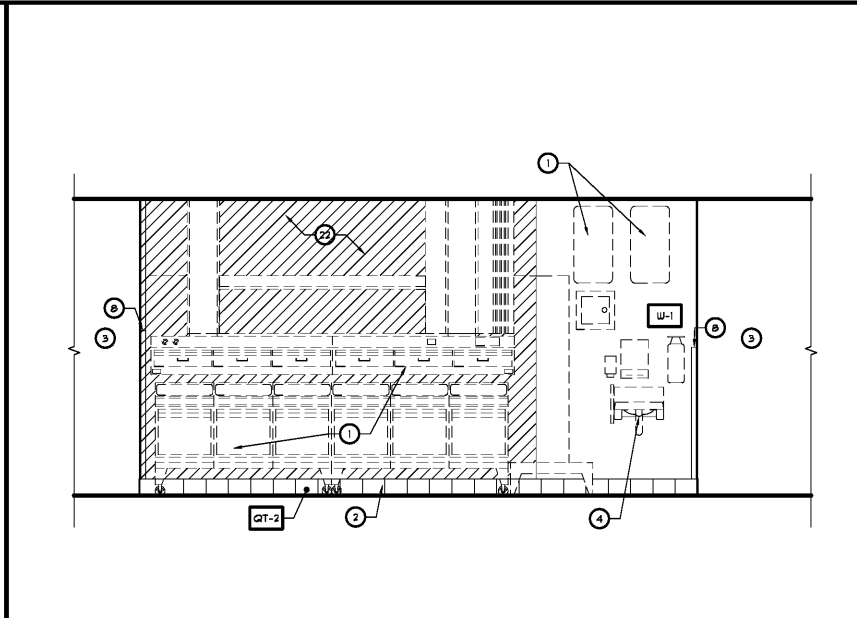
4 KITCHEN ELEVATION  
SCALE: 3/8" = 1'-0"



5 DRIVE THRU / KITCHEN ELEVATION  
SCALE: 3/8" = 1'-0"



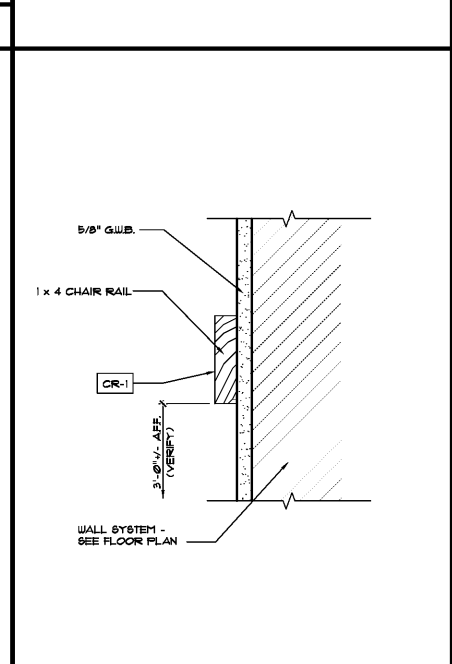
6 PREP AREA / KITCHEN / SERVICE AREA ELEVATION  
SCALE: 3/8" = 1'-0"



7 KITCHEN ELEVATION  
SCALE: 3/8" = 1'-0"

- KEYED NOTES**
- 1 EQUIPMENT/CASEWORK BY OTHERS - SEE SHEETS KI - K3
  - 2 WALL BASE - SEE FINISH SCHEDULE
  - 3 OPEN BEYOND
  - 4 HAND SINK - SEE PLUMBING DRAWINGS
  - 5 MENU BOARD SYSTEM - SEE EQUIPMENT PLAN AND SCHEDULE
  - 6 DROP SOFFIT - SEE REFLECTED CEILING PLAN
  - 7 WOOD CORNER GUARD
  - 8 2" X 2" X 4'-0" HIGH CORNER GUARDS ON ALL OUTSIDE CORNERS AT KITCHEN WALLS
  - 9 3 COMPARTMENT SINK - SEE PLUMBING DRAWINGS
  - 10 DOOR/WINDOW SYSTEM - SEE FLOOR PLAN
  - 11 SLIDING DRIVE-THRU WINDOW - SEE FLOOR PLAN
  - 12 WALL GRAPHIC - SEE IDI SHEET
  - 13 WOOD CHAIR RAIL - SEE DETAIL A4b
  - 14 WOOD WAINSCOT - SEE IDI SHEET
  - 15 6" PINE, TONGUE & GROOVE WALL FLANK - SEE IDI SHEET
  - 16 WOOD DOOR
  - 17 MOSAIC TILE - SEE IDI SHEET
  - 18 SOLID SURFACE COUNTERTOP - SEE IDI SHEET
  - 19 4" SOLID SURFACE BACKPLASH - SEE IDI SHEET
  - 20 FRP EDGE TRIM
  - 21 1/2" GA. SS SPLASH PANEL AT CAN WASH - TOP AT 5'-0" AFF. - SEE DETAIL 1/ABD - FURNISHED AND INSTALLED BY GENERAL CONTRACTOR
  - 22 S.S. PANEL - FURNISHED AND INSTALLED BY G.C.
  - 23 ELECTRICAL PANELS - SEE ELECTRICAL DRAWINGS
  - 24 TELEVISION - PROVIDED BY OWNER
  - 25 HOP SINK - SEE FLOOR PLAN
  - 26 H.C. TOILET SIGN - SEE SHEET AIG
  - 27 CUT CHAIR RAIL FOR MILLWORK INSTALLATION
  - 28 DUMP SINK - SEE PLUMBING DRAWINGS

- GENERAL NOTES**
1. XXXXX SEE SHEET IDI FOR FINISH SCHEDULES.
  2. SEE REFLECTED CEILING PLAN FOR ALL CEILING HEIGHTS.
  3. SEE ELECTRICAL DRAWINGS, FOR ALL LIGHT FIXTURES SPECIFICATIONS.
  4. COORDINATE FINAL LOCATION OF ALL EQUIPMENT AND SIGNAGE WITH EQUIPMENT SUPPLIER AND SIGNAGE VENDOR.
  5. CONTRACTOR TO VERIFY ALL INTERIOR FINISH SELECTIONS WITH OWNER AND PROJECTS CONSTRUCTION MANAGER BEFORE ORDERING.



8 WOOD CHAIR RAIL DETAIL  
SCALE: 3" = 1'-0"

REVISIONS	BY
02.16.2018 R1 REVISIONS	DD

Member of the American Institute of Architects  
32707 US Hwy 19 • Palm Harbor, FL 34884  
Phone 727.781.7525 • Fax 727.781.0823  
www.oliveriarchitects.com

**OLIVERI ARCHITECTS**

ALL INFORMATION CONTAINED HEREIN IS THE PROPERTY OF OLIVERI ARCHITECTS AND IS NOT TO BE REPRODUCED OR TRANSMITTED IN ANY FORM OR BY ANY MEANS, ELECTRONIC OR MECHANICAL, INCLUDING PHOTOCOPYING, RECORDING, OR BY ANY INFORMATION STORAGE AND RETRIEVAL SYSTEM.

Joseph L. Oliveri, AIA  
State of Georgia  
License #6015852

New Free Standing Building for  
**POPEYE'S**  
US Highway 29 & Nease Drive  
Athens, Georgia

Date: 11. 07. 17  
Scale: AS NOTED  
Project Mgr: DG  
Drawn: GNIII  
Job: 17-083  
Sheet  
**A4b**