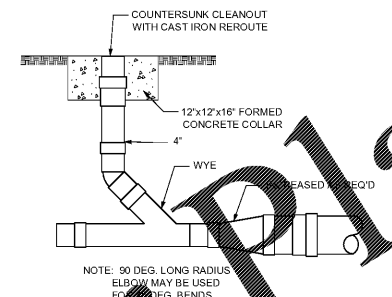
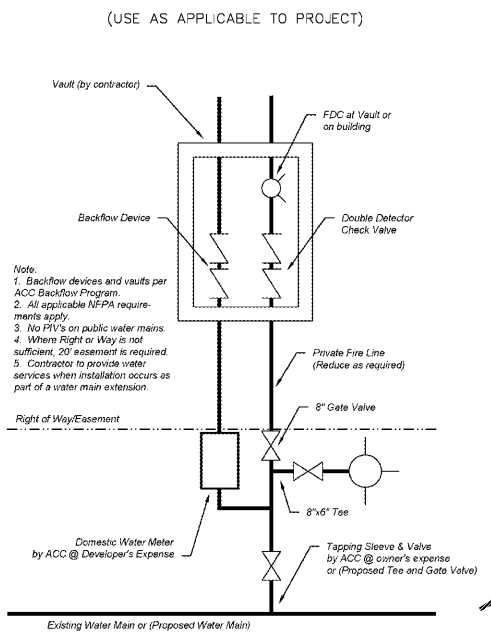


NOTES:  
 1) MUST MEET ASTM C 1613 STANDARD SPECIFICATIONS FOR PRECAST CONCRETE GREASE INTERCEPTOR TANKS.  
 2) GRADE ADJUSTMENTS GREATER THAN ONE (1) FOOT REQUIRE FOUR FOOT DIAMETER MANHOLE RISERS.  
 3) GRADE RISERS SHALL BE STACKABLE AND WATER TIGHT.  
 4) PIPES AND FITTINGS INSIDE TANK SHALL BE SOLVENT WELD SCH. 40 ALL OTHERS SHALL BE GASKET SDR 35.  
 5) GREASE TRAPS LOCATED WITHIN VEHICULAR ACCESS AREAS SHALL BE DESIGNED AND CONSTRUCTED FOR H-20 LOAD RATINGS.

C-7 GREASE TRAP (1,500 GALLON)  
 NOT TO SCALE



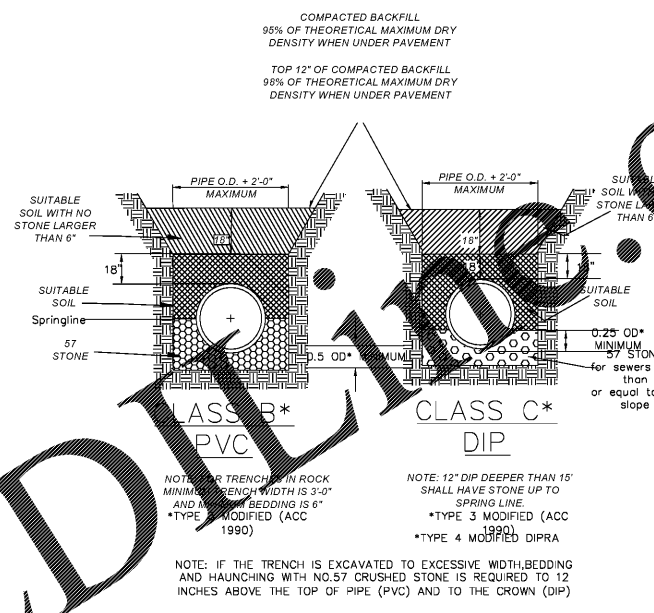
C-7 CLEANOUT  
 NOT TO SCALE



Fire & Domestic Service Detail  
 NTS

Standard Specification and Detail for:

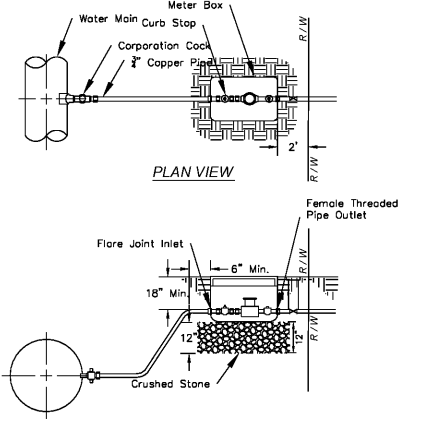
Fire & Domestic Service			
GMD: NA	County: Athens-Clarke	State: Georgia	Date: May 2008
Drawn by: RMP	The Unified Government of Athens-Clarke County Department of Public Utilities		
Approved by: EAF	1865 W. Broad St., Ste. C Athens, Georgia 30606		
Dwg Name: ACC PU Details	Fax: 706-613-3476	Athens, Georgia 30606	Voice: 706-613-3490



Typical Sewer Pipe Bedding  
 Detail  
 NTS

Standard Specification and Detail for:

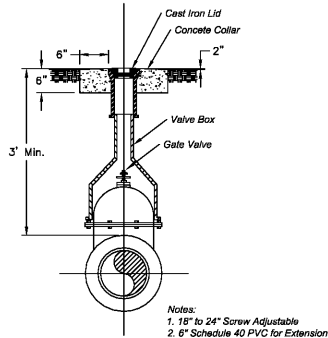
Typical Sewer Pipe Bedding			
GMD: NA	County: Athens-Clarke	State: Georgia	Date: May 2008
Drawn by: RMP	The Unified Government of Athens-Clarke County Department of Public Utilities		
Approved by: EAF	1865 W. Broad St. Athens, Georgia 30606		
Dwg Name: ACC PU Details	Fax: 706-613-3476	Athens, Georgia 30606	Voice: 706-613-3490



Water Service Connection  
 Detail  
 NTS

Standard Specification and Detail for:

Water Service Connection			
GMD: NA	County: Athens-Clarke	State: Georgia	Date: May 2008
Drawn by: RMP	The Unified Government of Athens-Clarke County Department of Public Utilities		
Approved by: EAF	1865 W. Broad St., Ste. C Athens, Georgia 30606		
Dwg Name: ACC PU Details	Fax: 706-613-3476	Athens, Georgia 30606	Voice: 706-613-3490



Gate Valve Detail  
 NTS

Standard Specification and Detail for:

Gate Valve			
GMD: NA	County: Athens-Clarke	State: Georgia	Date: May 2008
Drawn by: RMP	The Unified Government of Athens-Clarke County Department of Public Utilities		
Approved by: EAF	1865 W. Broad St., Ste. C Athens, Georgia 30606		
Dwg Name: ACC PU Details	Fax: 706-613-3476	Athens, Georgia 30606	Voice: 706-613-3490

ENGINEER:  
**FORENTE GROUP**  
 Forente Group, Inc.  
 375 Peachtree Corporate Center  
 Suite 300  
 Peachtree City, GA 30092  
 www.fg-inc.net  
 o | 770.368.1399  
 f | 770.368.1944

DEVELOPER:  
**CS&P**  
 CS&P PROPERTIES  
 CSC PROPERTIES, LLC  
 5795 ULMERTON RD.  
 CLEARWATER, FL 33760  
 CONTACT: DEREK OBERSCHALL

PROJECT:  
**POPEYES**  
 LOUISIANA KITCHEN  
 130 MCCLUNG RD  
 ATHENS, GA  
 GMD 219  
 PARCEL #154038N

SEAL:  
  
 03/05/18

REVISIONS	DATE
JURISDICTIONAL COMMENTS	03-05-2018
PROJECT MANAGER:	DMS
DRAWING BY:	JAM
JURISDICTION:	ATHENS-CLARKE COUNTY, GA
DATE:	2017-11-01
SCALE:	AS SHOWN
TITLE:	

UTILITY DETAILS  
 SHEET NUMBER: **C-7**  
 COMMENTS: NOT RELEASED FOR CONSTRUCTION  
 JOB/FILE NUMBER: 930.007

**GEORGIA 811**  
 Utilities Protection Center, Inc.  
 Know what's below.  
 Call before you dig.