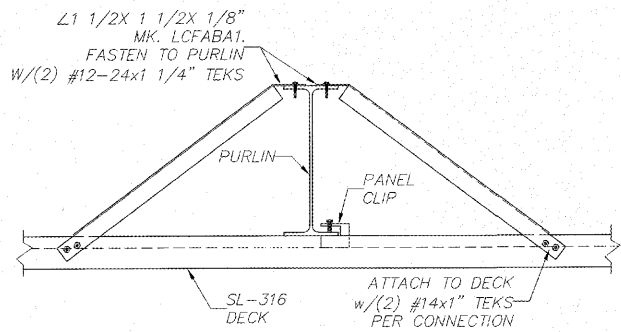


L1 SECTION AT CORNER
N.T.S. FI-E2

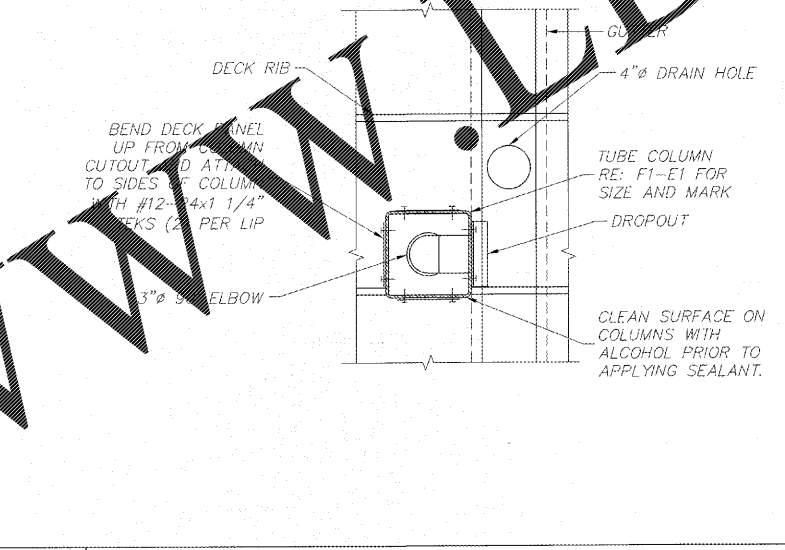
L5 DETAIL AT FASCIA CORNER AND SPLICE
N.T.S. FI-EI

L9 SECTION AT FAN SUPPORT
N.T.S. FI-EI

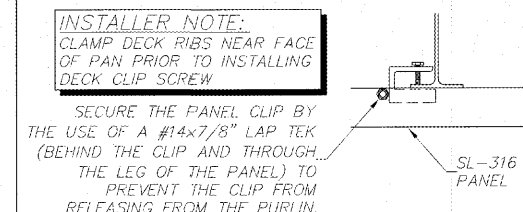
L13 SECTION AT HEATER SUPPORT
N.T.S. FI-EI



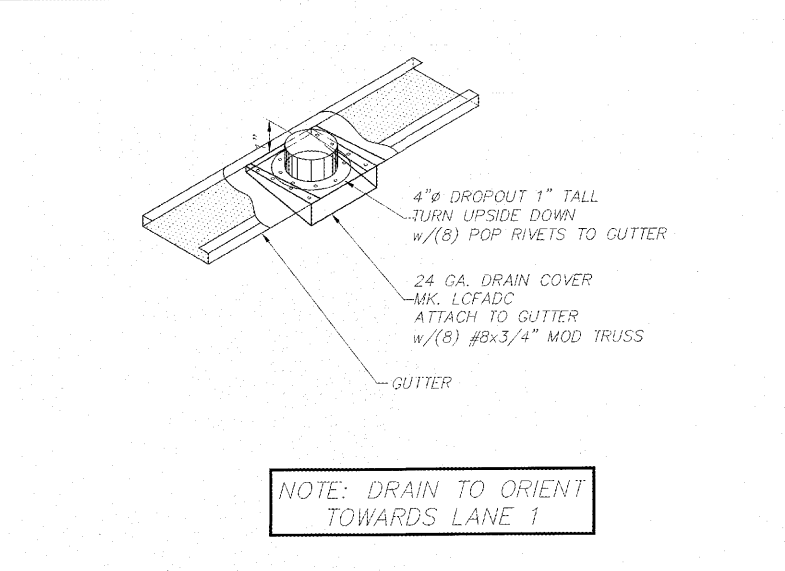
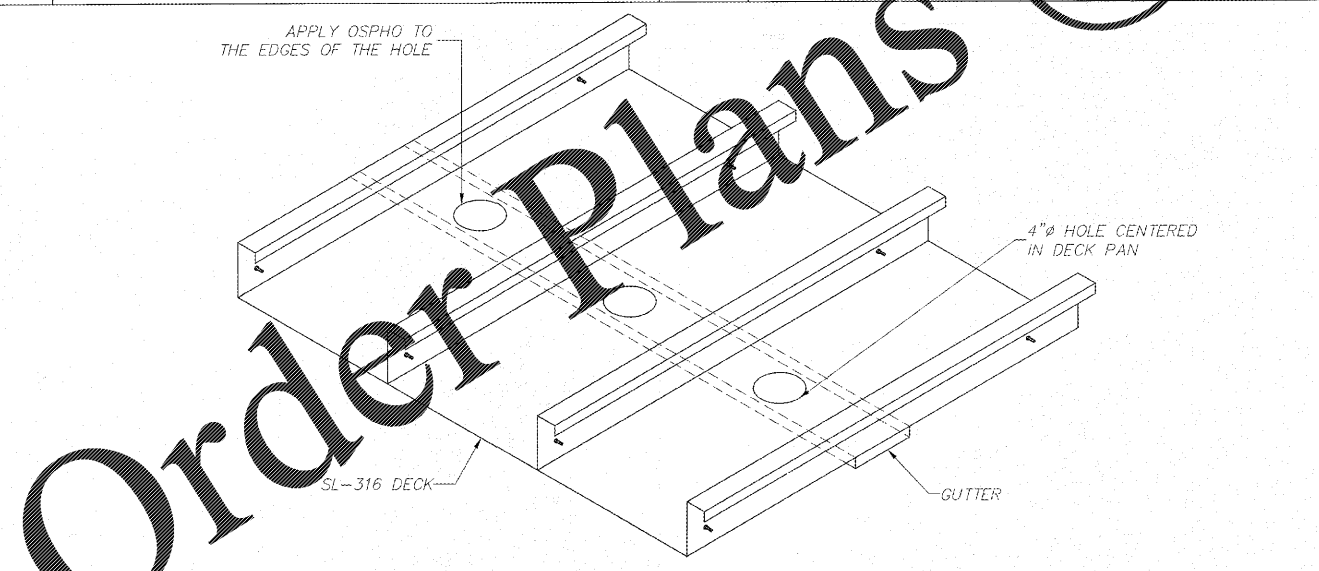
F5 NOT USED
N.T.S.



F9 DETAIL AT DECK SUPPORT
1 1/2\"/>



F14 DETAIL AT DECK CLIP
N.T.S. AI-E2, FI-E2



A9 SECTION AT OVERFLOW DRAIN
N.T.S. FI-EI

DEAD LOAD = 3 p.s.f.(DECK + LIGHTS) + WEIGHT OF STRUCTURAL COMPONENTS
LIVE LOAD = 20 p.s.f.
SNOW LOAD = 5 p.s.f.
V, ULT = 116 m.p.h. EXP C
V, ASD = 90 m.p.h. EXP C
BLDG CODE = 2012 INTERNATIONAL BUILDING CODE w/ GEORGIA AMENDMENTS 2014, 2015, 2017
EQUIVALENT LATERAL FORCE PROCEDURE
LATERAL FORCE RESISTING SYSTEM = CANTILEVERED COLUMN SYSTEM-ORDINARY STEEL MOMENT FRAME
SITE CLASS = D
Ss (0.2) = 0.20
S1 (1.0) = 0.09
SDS = 0.21
SD1 = 0.15
Fa = 1.60
Fv = 2.40
R = 1.25
IMPORTANCE FACTOR = 1.0
RISK CATEGORY = II
SEISMIC DESIGN CATEGORY = C
CS = 0.170
CONSTRUCTION TYPE = IIB
OCCUPANCY CATEGORY = M
TOTAL SEISMIC BASE SHEAR BOTH DIRECTIONS = 1.30 KIPS

A14 DESIGN LOADS
N.T.S.

Chick-fil-A
Chick-fil-A
5200 Buffington Road
Atlanta, Georgia 30349-2998

LANE
SUPPLY, INC.
120 FAIRVIEW
ARLINGTON, TX. 76010
(817) 261-9116



OCT 24 2017

CHICK-FIL-A
SAR South Cobb Dr FSR
3100 South Cobb Dr SE
Smyrna, GA 30080

FSR# 00810

REVISION SCHEDULE
NO. DATE DESCRIPTION

CONSULTANT PROJECT # 59683
PRINTED FOR Permitt
DATE 2017/10/20
DRAWN BY JH
CHECKED BY DTN

SHEET
CANOPY SECTIONS

SHEET NUMBER
F2FC-5
E3 OF 5

Order Plans @ WWW.DIline.COM