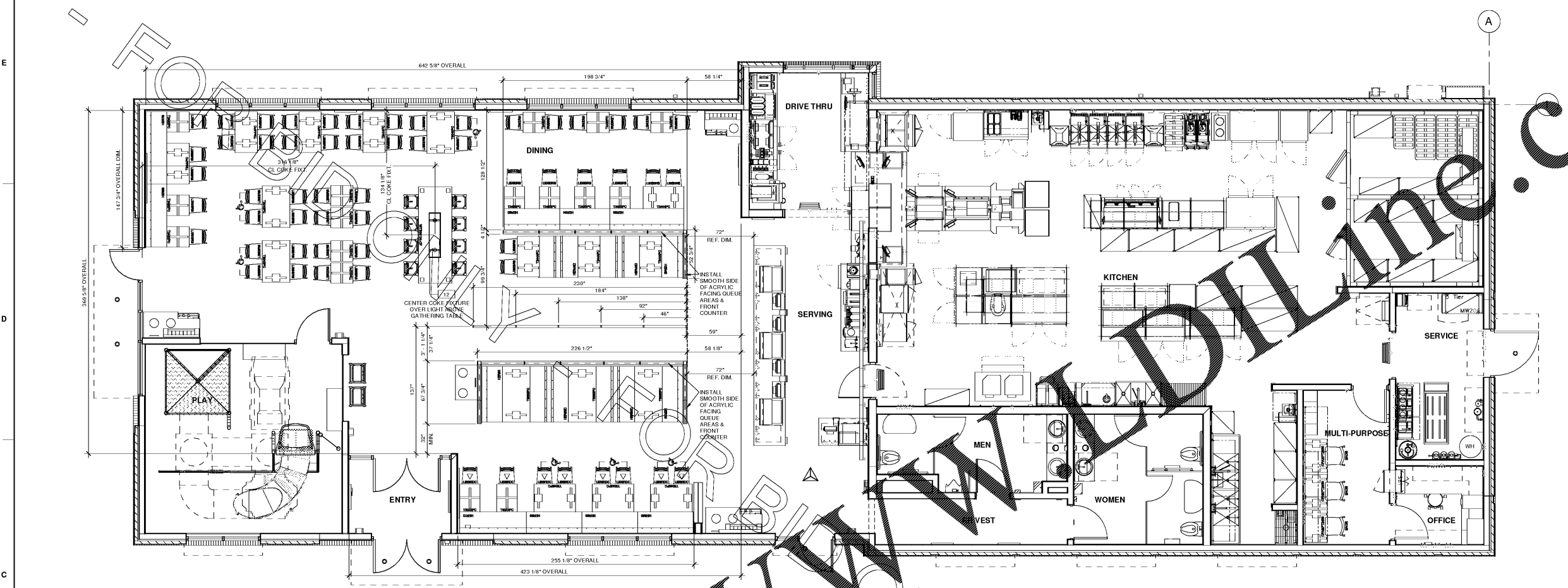
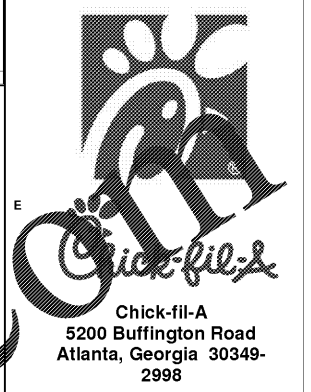
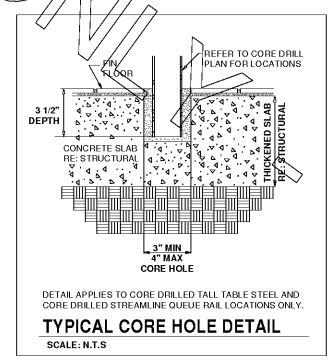
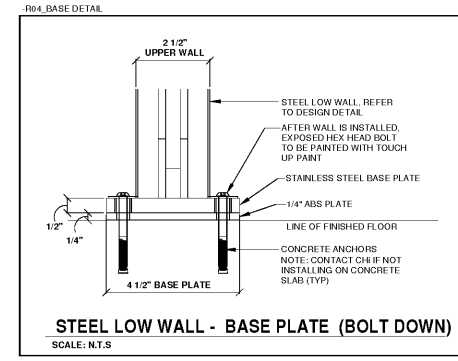
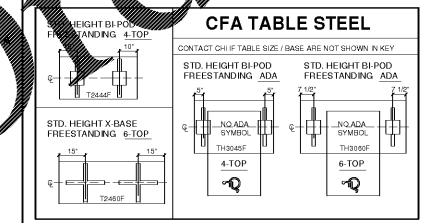


WALL KEY	STEEL LOW WALL, BY CH, 4.5" BASE PLATE	STEEL FULL HEIGHT WALL, BY CH, 2.5" DEPTH	STREAMLINE QUEUE, BY CH, 2.5" RAIL DEPTH	STREAMLINE QUEUE, BY CH, 2.5" RAIL + PLATES	DEMO WALL / KNEEWALL, MISC. BY G.C.	REFER TO ARCHITECTURAL PLAN FOR INTERIOR GC BUILT PARTITION TYPES/DETAILS. WALL KEY REFERS TO CH MANUF. PRODUCT ONLY.
	"BOLT DOWN"	"BOLT DOWN"	"CORED"	"BOLT DOWN"		

STEEL KEY	GENERIC CORE	12"X12" PLATE	12"X12" PLATE (OFFSET)	CANTILEVER PLATE	GENERIC BOLT DOWN SYMBOLS	12"X12" PLATE	12"X12" PLATE (OFFSET)	FREE STANDING SYMBOLS	X-BASE	BI-POD
NOTE: THIS KEY REPRESENTS GENERAL STEEL SYMBOLS. REFERENCE PROJECT FOR PRODUCT SPECIFICATIONS/STEEL TYPES.										



C1 CORE DRILL PLAN - LRG
1/4" = 1'-0"



Chi
Charter House Holdings, LLC
200 N. Franklin Street
Zeeland, MI 49464
www.goToChi.com
616.399.6000

This drawing contains proprietary information by CHI. Unauthorized use or reproduction is prohibited without expressed written consent of CHI.

CHICK-FIL-A
South Cobb Drive FSU
SMYRNA, GA,

FSR# 00810

REVISION SCHEDULE		
NO.	DATE	DESCRIPTION
1	09/28/2017	ISSUED FOR PERMIT
2	02/05/2018	ISSUED FOR BID

CURRENT DESIGN	
DATE	ISSUED FOR BID
02/05/2018	

ISSUED FOR BID

DATE: 02/05/2018

SCALE: N.T.S.

PROJECT: FURNITURE CORE DRILL PLAN

SHEET NUMBER: F-211

Order Plans @

WRONLY FOR BID ONLY

2/1/2018 8:25 AM