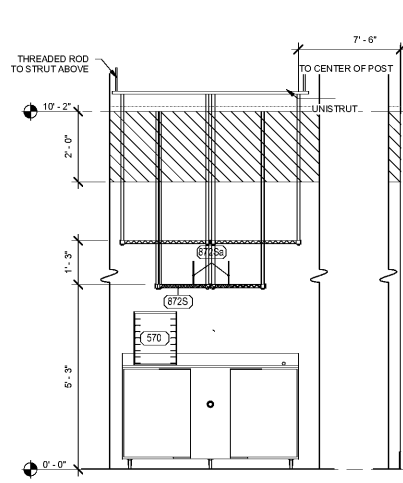
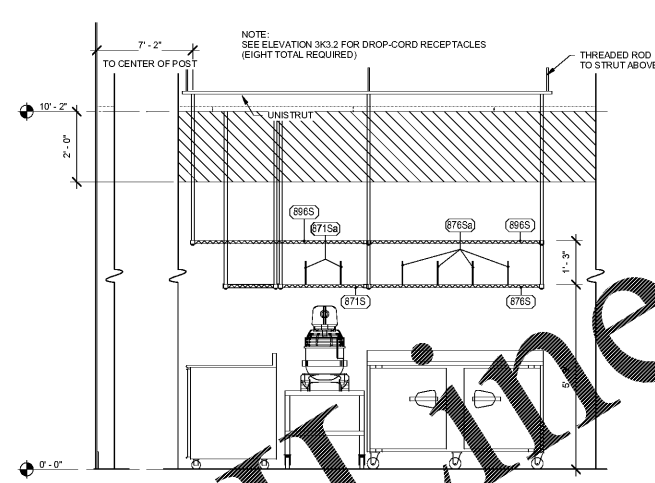


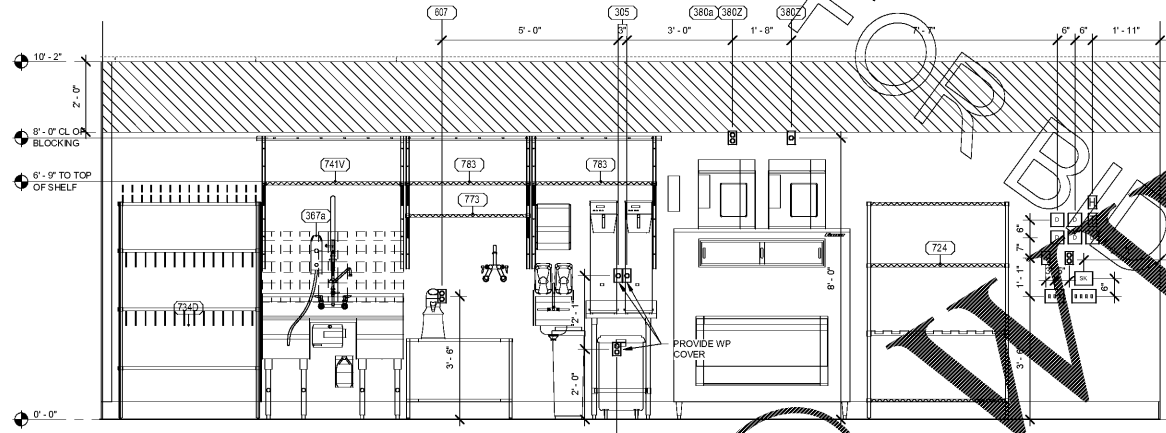
1 KITCHEN
1/2" = 1'-0"



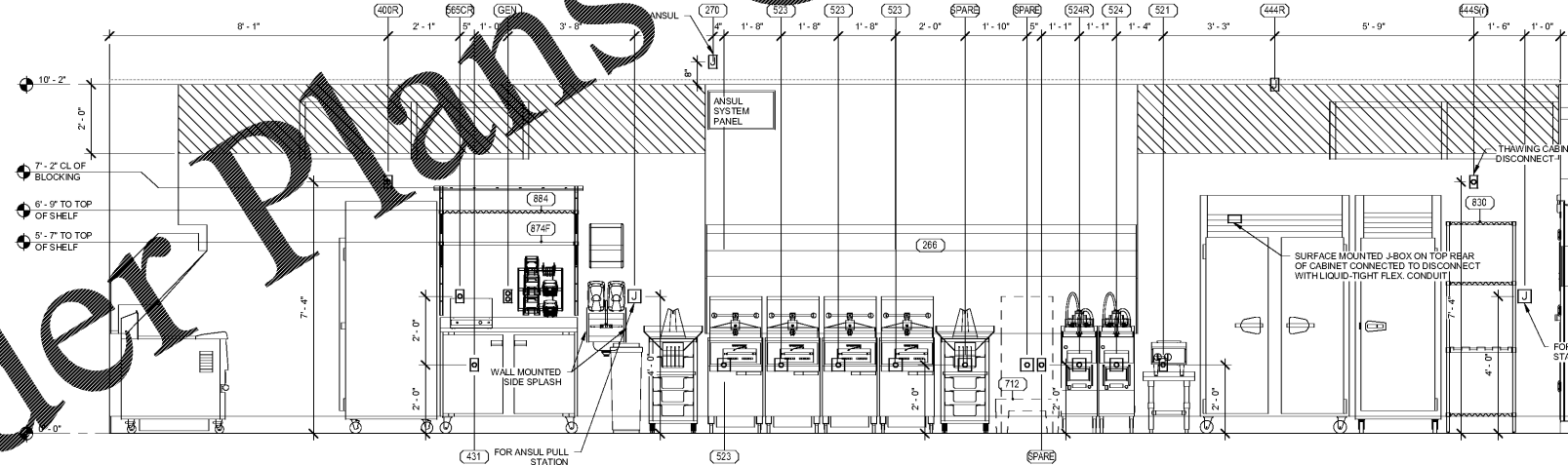
2 KITCHEN
1/2" = 1'-0"



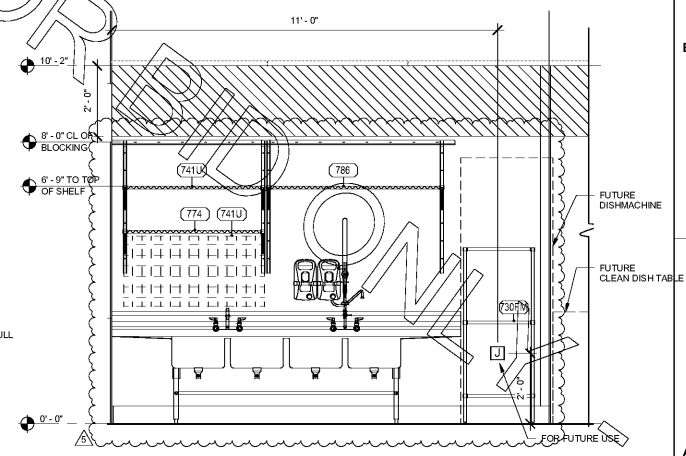
3 KITCHEN
1/2" = 1'-0"



4 KITCHEN
1/2" = 1'-0"



5 KITCHEN
1/2" = 1'-0"



6 KITCHEN
1/2" = 1'-0"

880A	EQUIPMENT NUMBER
AB	INDICATES NOTE ON SHEET 2
AB	FUNCTION BOX
AB	SIMPLEX RECEPTACLE
AB	DUPLEX RECEPTACLE
AB	SWITCH
AB	PHONE
AB	TERMINATION OF PVC CONDUIT FOR RIGID PDS SYSTEM
AB	DOUBLE DUPLEX RECEPTACLE
AB	SPECIAL RECEPTACLE
AB	HUMIDITY SENSOR
AB	TEMPERATURE SENSOR
D	IMAGE DETECTOR LED (2 GANG BOX)
SK	SECURITY KEYPAD



CHICK-FIL-A
SOUTH COBB DRIVE
 3100 South Cobb Dr SE, Smyrna GA 30080

FSR# 00810

NO.	DATE	DESCRIPTION
5	12/27/17	Owner Revisions - Dishwasher

CURRENT TEMPLATE	SOB-V6
UPDATE APP. ED.	00610
ARCHITECT'S PROJECT #	
PRINTED FOR	BID
DATE	02/05/2018
DRAWN BY	

BID
 SHEET
 ELECTRICAL ROUGH-IN
 ELEVATIONS
 SHEET NUMBER

K-302

Order Plans @ WWW.LDIDLINE.COM

2/5/2018 8:42 PM